

## Han Modular frame 16 hood 4 module A-D (

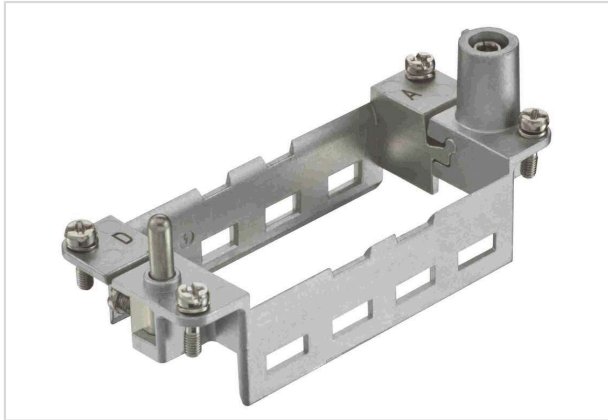


Image is for illustration purposes only. Please refer to product description.

Part number	09 14 016 0303
Specification	Han Modular frame 16 hood 4 module A-D (
HARTING eCatalogue	<a href="https://b2b.harting.com/09140160303">https://b2b.harting.com/09140160303</a>

### Identification

Category	Accessories
Series	Han-Modular®
Type of accessory	Hinged frame
Description of the accessory	for 4 modules A ... D
Features	Conductor cross-section PE (power side) 4 ... 10 mm <sup>2</sup> Conductor cross-section PE (signal side) 1 ... 2.5 mm <sup>2</sup>

### Version

Size	16 B
------	------

### Technical characteristics

Limiting temperature	-40 ... +125 °C
Mating cycles	≥500

### Material properties

Material	Zinc die-cast
RoHS	compliant
ELV status	compliant
China RoHS	e
REACH Annex XVII substances	Not contained
REACH ANNEX XIV substances	Not contained
REACH SVHC substances	Not contained
California Proposition 65 substances	Not contained



**Pushing Performance**  
Since 1945

## Material properties

Fire protection on railway vehicles	EN 45545-2 (2020-08)
Requirement set with Hazard Levels	R22 (HL 1-3) R23 (HL 1-3)

## Specifications and approvals

Specifications	IEC 60664-1 IEC 61984
UL / CSA	UL 1977 ECBT2.E235076
Approvals	DNV GL

## Commercial data

Packaging size	2
Net weight	55 g
Country of origin	Germany
European customs tariff number	85389099
GTIN	5713140021044
ETIM	EC002312
eCl@ss	27440206 Module carrier frame for industrial connectors