

## Han Modular frame 16 hood 4 module A-D

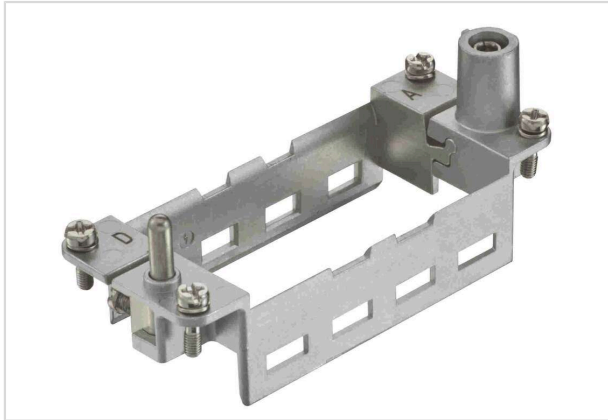


Image is for illustration purposes only. Please refer to product description.

Part number	09 14 016 0303 XL
Specification	Han Modular frame 16 hood 4 module A-D
HARTING eCatalogue	<a href="https://b2b.harting.com/09140160303XL">https://b2b.harting.com/09140160303XL</a>

### Identification

Category	Accessories
Series	Han-Modular®
Type of accessory	Hinged frame
Description of the accessory	for 4 modules A ... D
Features	Conductor cross-section PE (power side) 4 ... 10 mm <sup>2</sup> Conductor cross-section PE (signal side) 1 ... 2.5 mm <sup>2</sup>

### Version

Size	16 B
------	------

### Technical characteristics

Limiting temperature	-40 ... +125 °C
----------------------	-----------------

### Material properties

Material	Zinc die-cast
RoHS	compliant with exemption
RoHS exemptions	6(c): Copper alloy containing up to 4 % lead by weight
ELV status	compliant with exemption
China RoHS	50
REACH Annex XVII substances	Not contained
REACH ANNEX XIV substances	Not contained
REACH SVHC substances	Yes
REACH SVHC substances	Lead



**Pushing Performance**  
Since 1945

## Material properties

California Proposition 65 substances Yes

California Proposition 65 substances Lead

## Specifications and approvals

Specifications IEC 60664-1  
IEC 61984

UL / CSA UL 1977 ECBT2.E235076

Approvals DNV GL

## Commercial data

Packaging size 100

Net weight 7.9 g

Country of origin Germany

European customs tariff number 85389099

ETIM EC002312

eCl@ss 27440206 Module carrier frame for industrial connectors