

Module Clamp w/o strain relief (1 pcs)

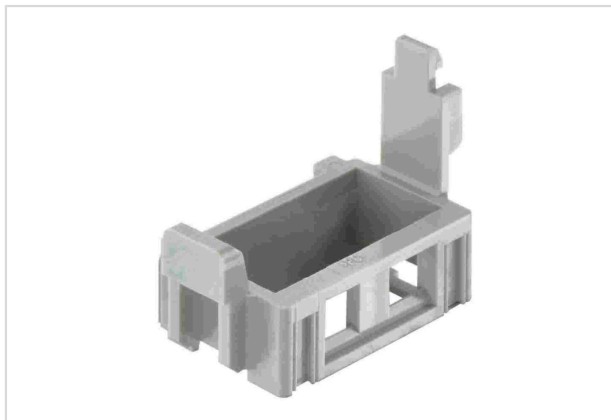


Image is for illustration purposes only. Please refer to product description.

| | |
|--------------------|---|
| Part number | 09 14 000 0311 |
| Specification | Module Clamp w/o strain relief (1 pcs) |
| HARTING eCatalogue | https://b2b.harting.com/09140000311 |

Identification

| | |
|-------------------|-----------------------|
| Category | Accessories |
| Series | Han-Modular® |
| Type of accessory | Module locking system |

Material properties

| | |
|-------------------------------------|---|
| RoHS | compliant |
| ELV status | compliant |
| China RoHS | e |
| REACH Annex XVII substances | Not contained |
| REACH ANNEX XIV substances | Not contained |
| REACH SVHC substances | Yes |
| REACH SVHC substances | Potassium 1,1,2,2,3,3,4,4,4-nonafluorobutane-1-sulphonate |
| Fire protection on railway vehicles | EN 45545-2 (2020-08) |
| Requirement set with Hazard Levels | R22 (HL 1-3) R23 (HL 1-3) |

Commercial data

| | |
|--------------------------------|---------------|
| Packaging size | 1 |
| Net weight | 4.26 g |
| Country of origin | Germany |
| European customs tariff number | 85366990 |
| GTIN | 5713140018204 |
| ETIM | EC002939 |



Pushing Performance
Since 1945

Commercial data

eCl@ss

27440392 Connector (accessories)