

Han-Power S with maintenance switch

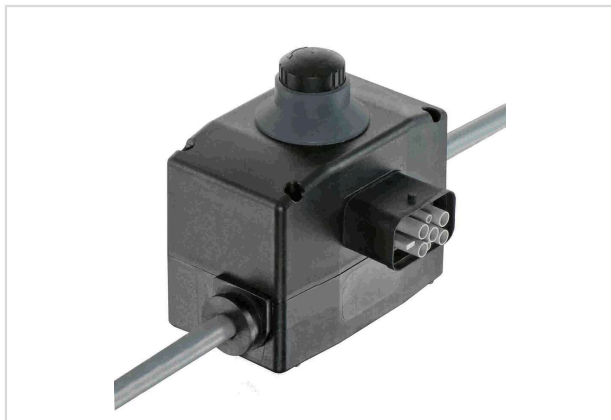


Image is for illustration purposes only. Please refer to product description.

Part number	09 12 008 4620
Specification	Han-Power S with maintenance switch
HARTING eCatalogue	https://b2b.harting.com/09120084620

Identification

Category	Energy distributors
Series of hoods/housings	Han-Power® S
Element	Energy distributor
Specification	With 1x Han® Q 4/2 Female insert in Han-Compact® Hoods With maintenance switch

Version

Termination method	IDC insulation displacement termination for stranded wires according to IEC 60228 Class 5
Number of contacts	6
Number of signal contacts	2
Number of power contacts	4
PE contact	Yes

Technical characteristics

Conductor cross-section	4 ... 6 mm ²
Rated current	5 A
Rated voltage conductor-earth	230 V
Rated voltage conductor-conductor	400 V
Rated impulse voltage	4 kV
Pollution degree	2
Rated current (signal)	10 A



Pushing Performance
 Since 1945

Technical characteristics

Rated voltage (signal)	250 V
Rated impulse voltage (signal)	4 kV
Pollution degree (signal)	2
Rated voltage acc. to UL	600 V
Rated voltage acc. to CSA	250 V
Insulation resistance	>10 ¹⁰ Ω
Limiting temperature	-25 ... +55 °C
Mating cycles	≥500
Degree of protection acc. to IEC 60529	IP65

Material properties

Material (contacts)	Copper alloy
Material (hood/housing)	Polycarbonate (PC)
Colour (hood/housing)	RAL 9005 (jet black)
Material (seal)	NBR
Material flammability class acc. to UL 94	V-0
RoHS	compliant with exemption
RoHS exemptions	6(c): Copper alloy containing up to 4 % lead by weight
ELV status	compliant with exemption
China RoHS	50
REACH Annex XVII substances	Not contained
REACH ANNEX XIV substances	Not contained
REACH SVHC substances	Yes
REACH SVHC substances	Lead
ECHA SCIP number	564b7d75-7bf6-4cfb-acb1-2168eb61b675
California Proposition 65 substances	Yes
California Proposition 65 substances	Lead Nickel
Fire protection on railway vehicles	EN 45545-2 (2020-08)
Requirement set with Hazard Levels	R22 (HL 1-3) R23 (HL 1-3)

Specifications and approvals

Specifications	IEC 60664-1 IEC 61984
----------------	--------------------------



Pushing Performance
Since 1945

Specifications and approvals

CE Yes

Commercial data

Packaging size	1
Net weight	712 g
Country of origin	Germany
European customs tariff number	85366990
GTIN	5713140017764
ETIM	EC000214
eCl@ss	27142409 Small distribution board