

Frame 4xHC250-M (invers)

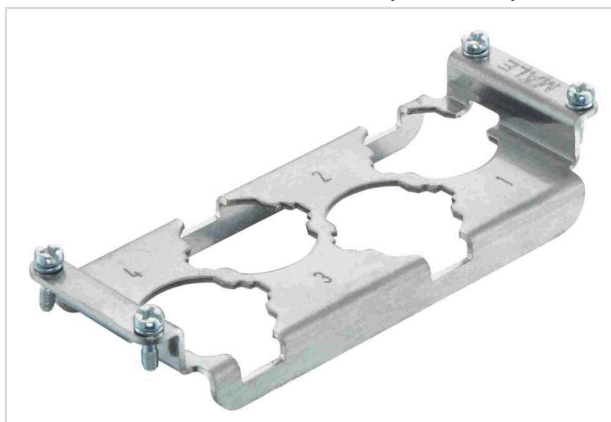


Image is for illustration purposes only. Please refer to product description.

Part number	09 11 000 9941
Specification	Frame 4xHC250-M (invers)
HARTING eCatalogue	https://b2b.harting.com/09110009941

Identification

Category	Accessories
Series of hoods/housings	Han [®] HPR
Type of accessory	Frame
Description of the accessory	for male inserts 4x Han [®] HC Modular 250

Version

Size	24 B
------	------

Technical characteristics

Tightening torque	0.5 Nm Fixing screws M3
-------------------	-------------------------

Material properties

Material (accessories)	Metal
RoHS	compliant
ELV status	compliant
China RoHS	e
REACH Annex XVII substances	Not contained
REACH ANNEX XIV substances	Not contained
REACH SVHC substances	Not contained
California Proposition 65 substances	Yes
California Proposition 65 substances	Nickel



Pushing Performance
Since 1945

Commercial data

Packaging size	1
Net weight	56.7 g
Country of origin	Germany
European customs tariff number	85389099
GTIN	5713140193864
ETIM	EC002310
eCl@ss	27440210 Fixing element for industrial connectors