

Griffblech mit Schraubadapter Han 16 B

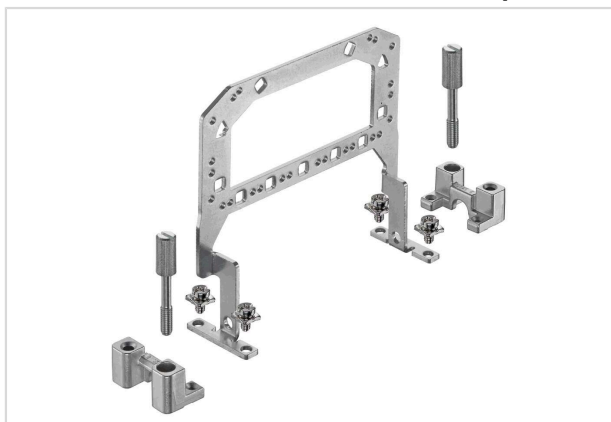


Image is for illustration purposes only. Please refer to product description.

Part number	09 00 016 5612
Specification	Griffblech mit Schraubadapter Han 16 B
HARTING eCatalogue	https://b2b.harting.com/09000165612

Identification

Category	Accessories
Type of accessory	Grip frame
Description of the accessory	With screw adapter and screw to use in connection with 09 00 000 5602

Version

Size	16 B
------	------

Material properties

Material (accessories)	Metal
Surface (accessories)	Zinc plated
RoHS	compliant
ELV status	compliant
China RoHS	e
REACH Annex XVII substances	Not contained
REACH ANNEX XIV substances	Not contained
REACH SVHC substances	Not contained
California Proposition 65 substances	Yes
California Proposition 65 substances	Nickel

Commercial data

Packaging size	1
Net weight	131.5 g
Country of origin	Germany



Pushing Performance
Since 1945

Commercial data

European customs tariff number	85366990
GTIN	5713140002876
ETIM	EC002939
eCl@ss	27440392 Connector (accessories)