



MADE IN THE USA

Product Description:

- Protective Wear Dispenser - Cap/Shoe Cover
- Holds one box of bouffant caps or shoe covers
- Keyholes for wall mounting
- Stainless Steel

Primary Area for Product Usage:

- Anywhere protection equipment products are needed

Dispenses:

- Box(es) no larger than 11.19"W x 11.13"H x 5.06"D (28.4 cm x 28.3 cm x 12.9 cm)
- Box(es) no smaller than 10.25"W x 9.11"H x 4.25"D (26.0 cm x 23.1 cm x 10.8 cm)

Package Specifications:

- Package Quantity: 6 per case
- 20"W x 16"H x 12"D (50.8 cm x 40.6 cm x 30.5 cm)
- 14.0 lbs (6.4 kg) - approximated

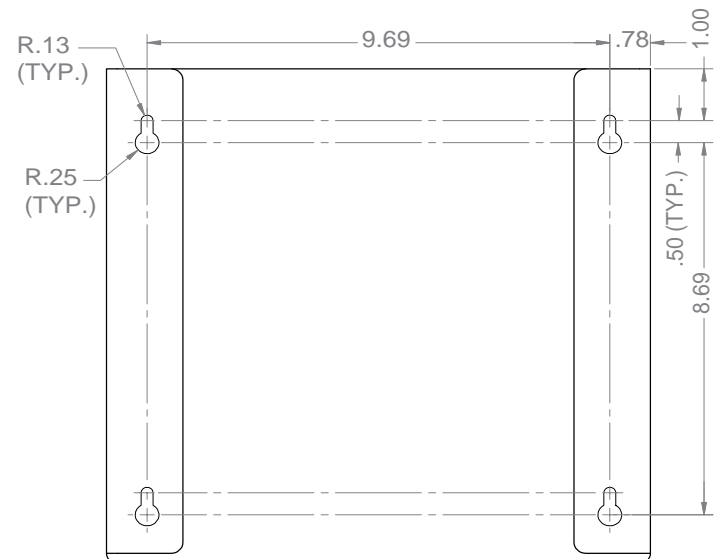
Product Specifications (overall external dimensions):

- 11.25"W x 11.23"H x 5.12"D (28.6 cm x 28.5 cm x 13.0 cm)
- 1.9 lbs (0.8 kg) - approximated

Mounting Specifications:

Related Products (each sold separately):

- BP-007: Protective Wear Dispenser - Cap/Shoe Cover (shown below)
- PD033-0300: Protective Wear Dispenser - Shoe Cover

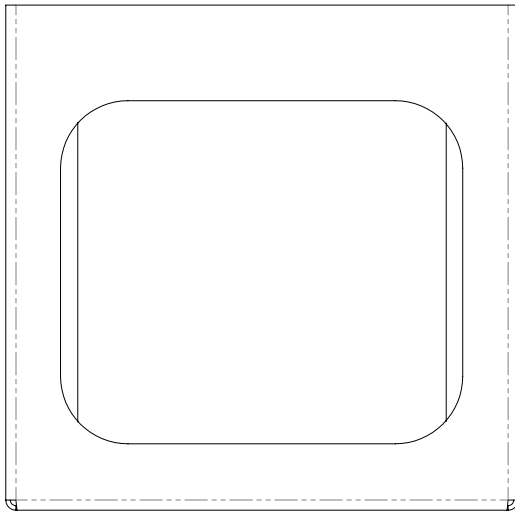




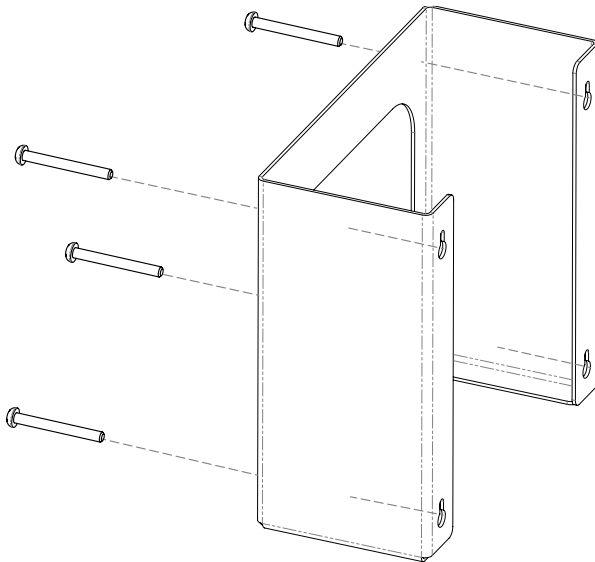
Installation

Always mount dispensers securely *prior* to loading with product.

- Open front design accommodates a wide variety of box perforations.



- Mount securely to a wall with screws approved and supplied by building maintenance.



Parts included:

- Dispenser

Tools Required:

- No tools required to assemble dispenser

Care and Construction

Stainless Steel

Material Characteristics

Designed for Long-Term, Heavy-Duty Applications

Stainless steel is used overwhelmingly for its corrosion and oxidation resistance characteristics. Along with being sturdy, stainless steel is also fire and heat resistant.

The work-hardening properties of stainless steel gives the material a great strength-to-weight advantage over other materials. It also provides impact resistance and high toughness in extreme temperatures.

Stainless steel has a bright, stain resistant surface and pleasing aesthetic appearance.

Care and Cleaning

Stainless steel resists a variety of common chemicals and cleaning agents. Clean using warm water, a gentle detergent, and soft cloth.

Standard hospital cleaning supplies are approved for use on our stainless steel products. Dry thoroughly to avoid spotting. Do not use steel wool.