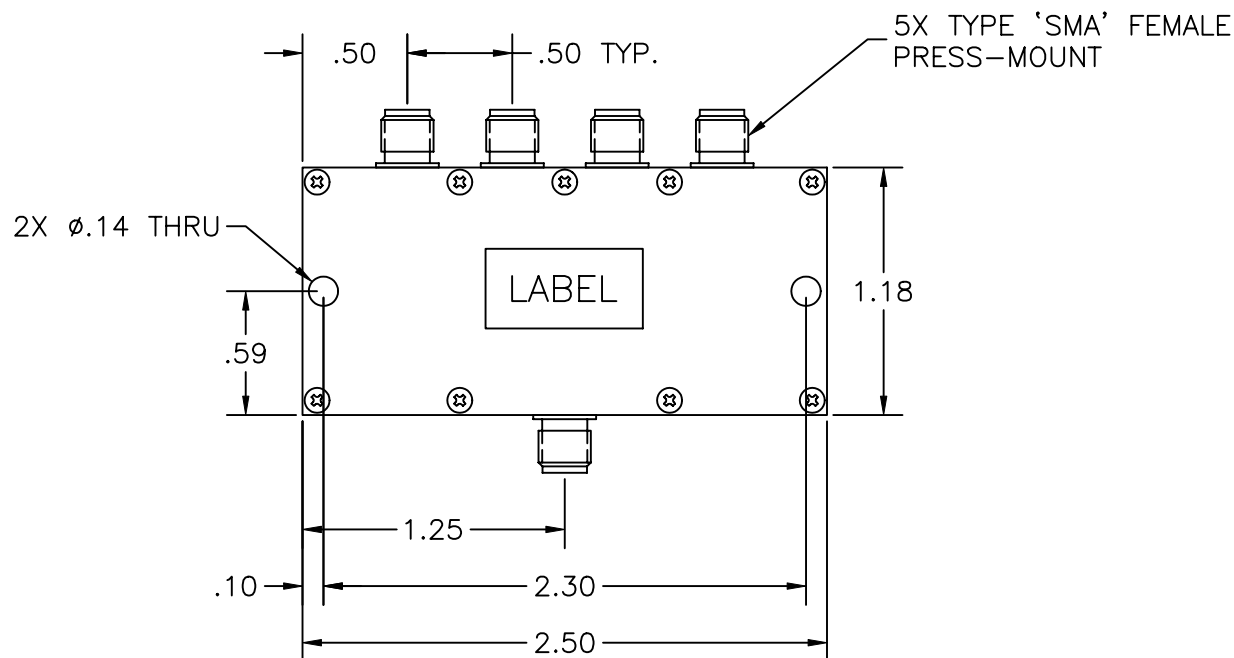
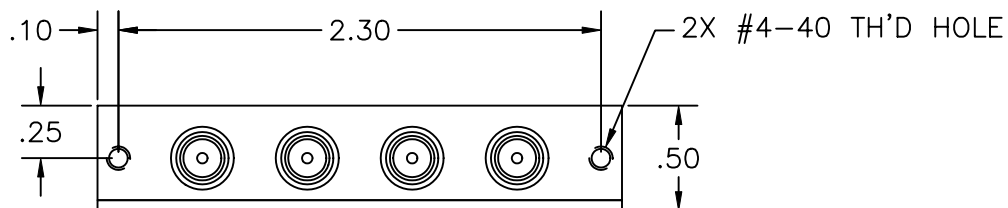


PROPRIETARY DATA OF IF Engineering Corp.
 THIS DOCUMENT CONTAINS PROPRIETARY INFORMATION.
 ANY REPRODUCTION, DISCLOSURE, OR USE OF
 ITS CONTENTS IS EXPRESSLY PROHIBITED EXCEPT AS
 AUTHORIZED BY IF Engineering Corp.

REVISION

LTR.	DESCRIPTION	DATE	APPVL.
A	CORR. DIM. 2.25	7/97	LCF
B	REDRAWN/UPDATED FORMAT; NEW PACKAGE	1/2/08	MJD
C	CORRECTED INSERTION LOSS	1/2/08	MJD
D	TEMP. RANGE CHANGED	2/25/08	MJD
E	PER ECN 1022003: 'RoHS Compliant' LOGO ADDED, INSERTION LOSS CHANGED	6/4/10	MJD
F	PER ECN 1038003: (2) #4-40 TAPPED HOLES ADDED	9/30/10	MJD



ELECTRICAL SPECIFICATION FOUR WAY POWER DIVIDER

FREQUENCY RANGE (MHZ)	20-1000
ISOLATION (dB) MIN.	25
INSERTION LOSS (dB) MAX.	1.75
AMPLITUDE BAL. (dB) MAX.	±0.3
PHASE BAL. (°) MAX.	±4.0
VSWR MAX.	
IN	1.3:1
OUT	1.3:1
IMPEDANCE (OHMS) NOM.	50
TEMPERATURE RANGE (°C)	0 TO +50

**RoHS
Compliant**

UNLESS OTHERWISE SPECIFIED
DRAWING PRACTICES PER
MIL-STD-100

TOLERANCES ANGLES ±1/2°
.XX ±.01 .XXX ±.005

SURFACE 63/ REMOVE BURRS
ROUGHNESS ✓ SHARP EDGES

MATERIAL: SEE NOTE 1

FINISH: SEE NOTE 2

DRAWN DATE
LCF 2/14/94

ENGRG APPD DATE

MFG APPD DATE

QA APPD DATE

RELEASED DATE

IFE ENGINEERING
40 PARKER ROAD, FAYAN CT 06255

TITLE
OUTLINE DRAWING
PD-4004-S

SIZE	CODE IDENT NO.	DRAWING NO.	REV.
A	OUF A1	004-036-181	F

SCALE 1:1 SHEET 1 OF 1

NOTES:

1. MATERIAL: CHASSIS & COVER ALUMINUM
2. FINISH: CLEAR CHROMATE
3. SPECIFICATION SUBJECT TO CHANGE WITHOUT NOTICE