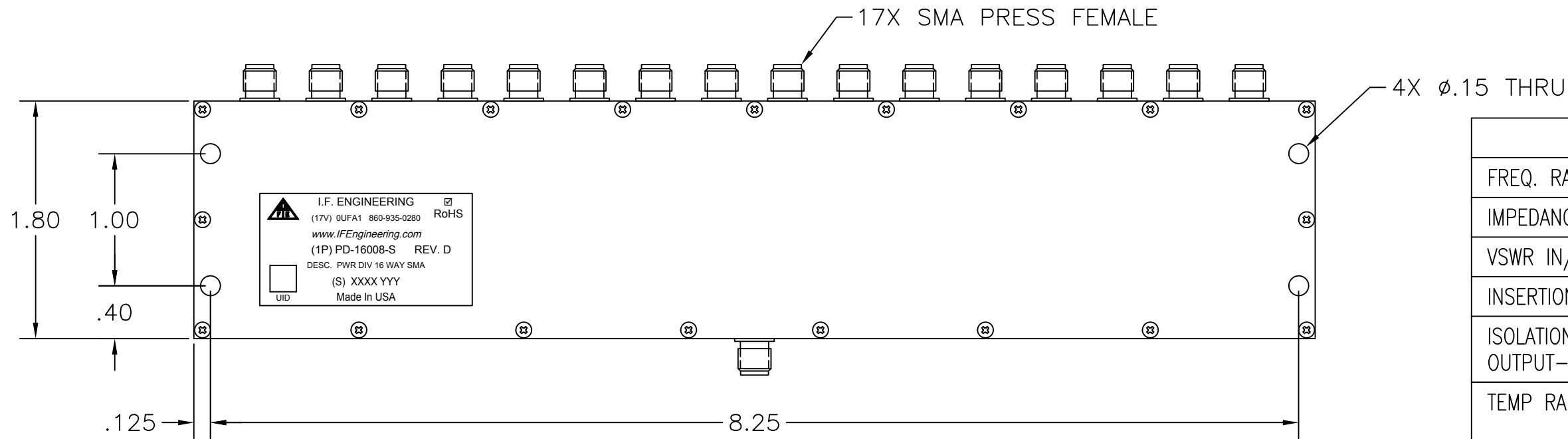
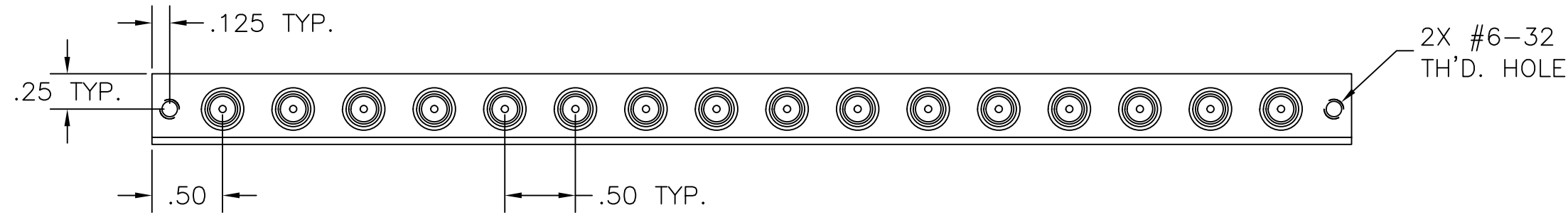
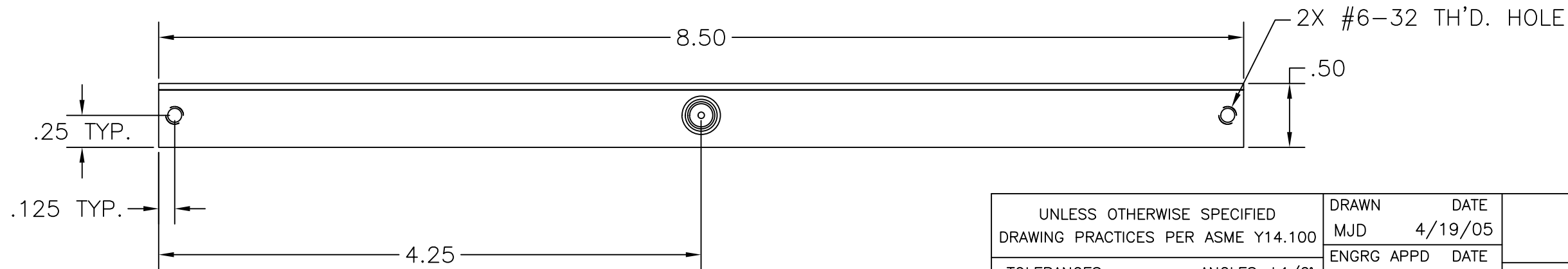


PROPRIETARY DATA OF IF Engineering Corp.
 THIS DOCUMENT CONTAINS PROPRIETARY INFORMATION.
 ANY REPRODUCTION, DISCLOSURE, OR USE OF
 ITS CONTENTS IS EXPRESSLY PROHIBITED EXCEPT AS
 AUTHORIZED BY IF Engineering Corp.

REVISION			
LTR.	DESCRIPTION	DATE	APPVL.
-	ENG. RELEASED	6/7/05	MJD
A	Ø.150 HOLES MOVED	6/8/05	MJD
B	CHANGED PER ECN 1016001	4/28/10	MJD
C	CHANGED PER ECN 1222001	5/30/12	MJD
D	ECO #1643002	10/20/16	MJD



ELECTRICAL SPECIFICATIONS	
FREQ. RANGE (MHz)	30-3000
IMPEDANCE IN/OUT (OHMS NOM.)	50
VSWR IN/OUT (MAX.)	1.8:1
INSERTION LOSS (dB) VMAX.	4.5
ISOLATION (dB) OUTPUT-TO-OUTPUT	18 MIN. 20 TYP.
TEMP RANGE (°C)	OPERATING 0 TO +50 STORAGE -20 TO +70



- NOTES:
1. MATERIAL: CHASSIS & COVER ALUMINUM
 2. FINISH: CLEAR CHROMATE
 3. SPECIFICATION SUBJECT TO CHANGE WITHOUT NOTICE

**RoHS
Compliant**

UNLESS OTHERWISE SPECIFIED DRAWING PRACTICES PER ASME Y14.100		DRAWN MJD	DATE 4/19/05
TOLERANCES .XX ±.01	ANGLES ±1/2° .XXX ±.005	ENGRG APPD CL	DATE 5/25/05
SURFACE ROUGHNESS 63 ✓	REMOVE BURRS SHARP EDGES	MFG APPD EDW	DATE 5/25/05
MATERIAL: SEE NOTE 1		QA APPD EDW	DATE 5/25/05
FINISH: SEE NOTE 2		RELEASED MJD	DATE 6/7/05

IF ENGINEERING
 3 FOSHAY ROAD, DUDLEY MA 01571

TITLE
OUTLINE DRAWING
 PD-16008-S

SIZE B	CODE IDENT NO. OUFA1	DRAWING NO. 016-041-181	REV. D
SCALE N/A		SHEET 1 OF 1	