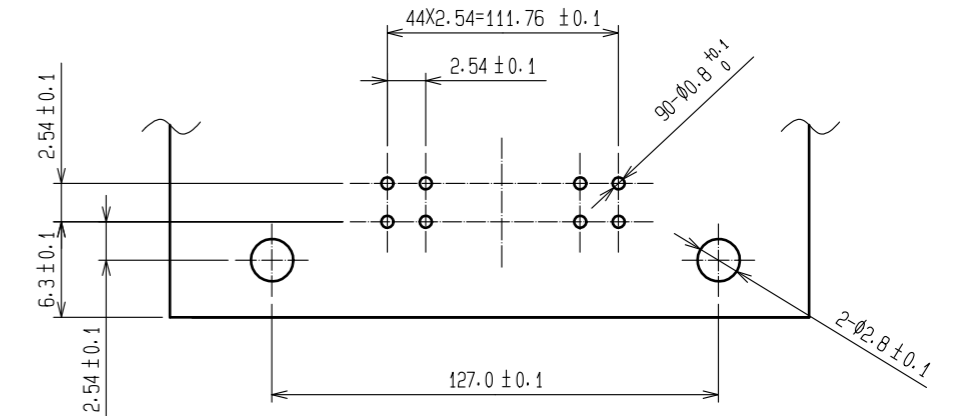
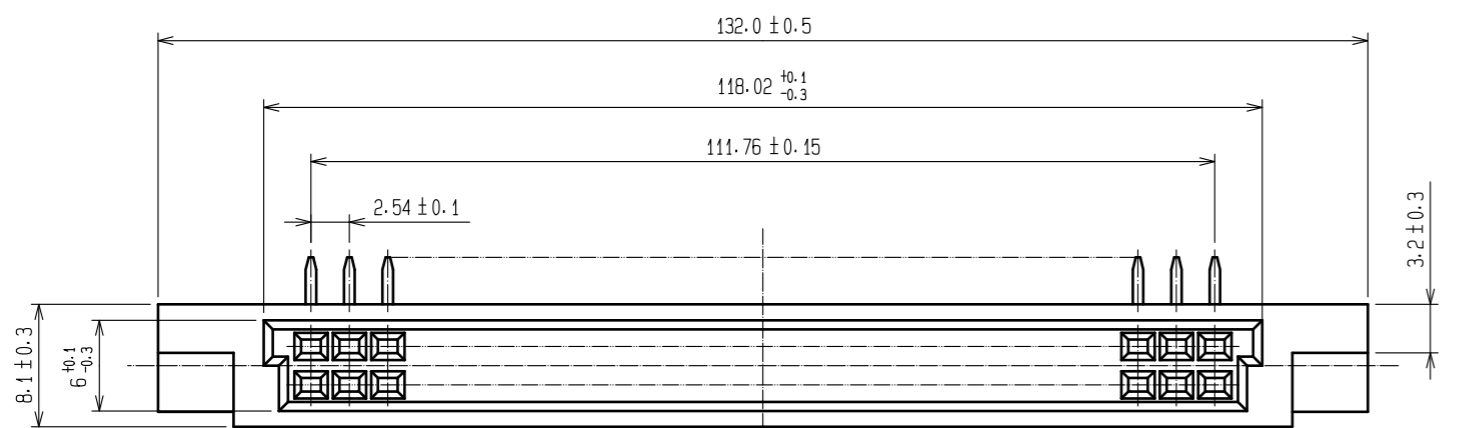
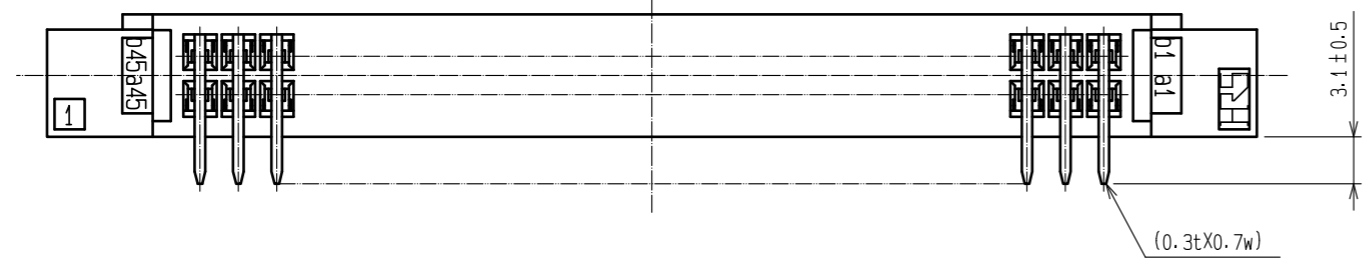
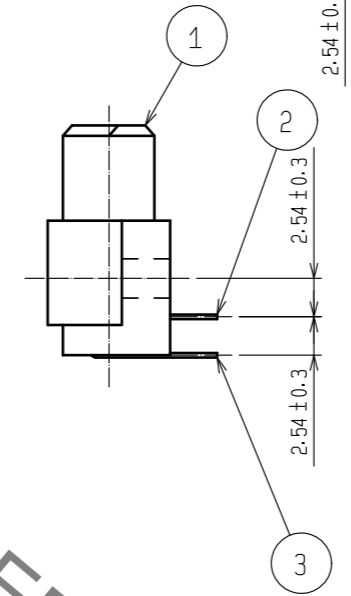
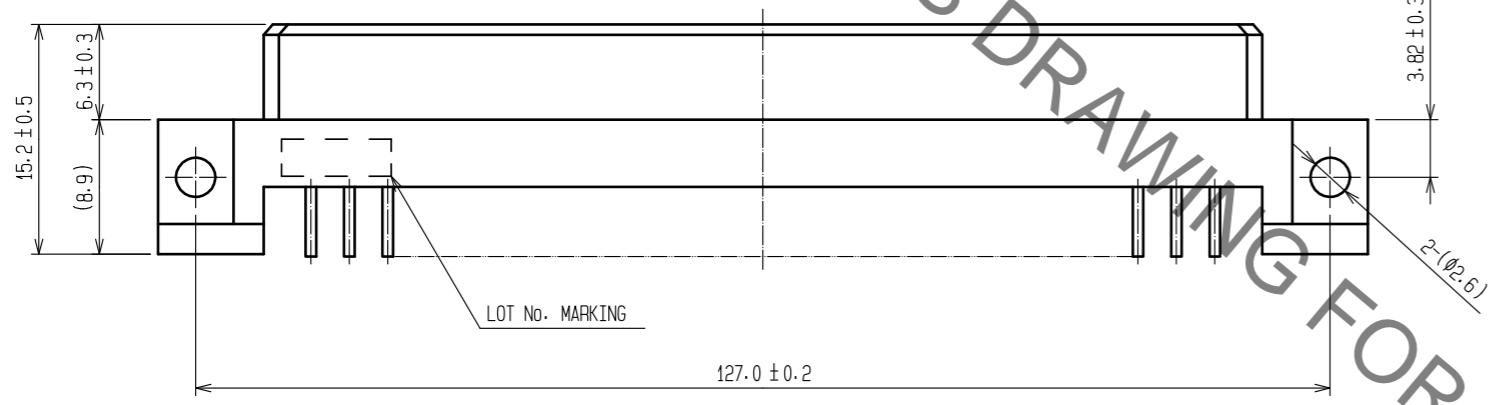


Dec.1.2020 Copyright 2020 HIROSE ELECTRIC CO., LTD. All Rights Reserved.
 In case of consideration for using Automotive equipment / device which demand high reliability, kindly contact our sales window correspondents.



RECOMMENDED P.C.B HOLE PATTERN (t=1.6 ± 0.1)



HRS DRAWING FOR REFERENCE

1	PBT	BEIGE . UL94V-0	2, 3	COPPER ALLOY	CONTACT AREA: Ni1#m+Au0.1#m		
					DIP AREA: Ni1#m+Sn2#m		
NO.	MATERIAL	FINISH . REMARKS	NO.	MATERIAL	FINISH . REMARKS		
UNITS		SCALE	COUNT	DESCRIPTION OF REVISIONS	DESIGNED	CHECKED	DATE
mm		Free					
APPROVED : HT. YAMAGUCHI			20200318	DRAWING NO.	EDC-020274-81-00		
CHECKED : HT. YAMAGUCHI			20200318	PART NO.	PCN13-90S-2.54DS(81)		
DESIGNED : MT. ITANO			20200318	CODE NO.	CL583-3038-8-81		
DRAWN : DS. HIROWATARI			20200317		1/1		