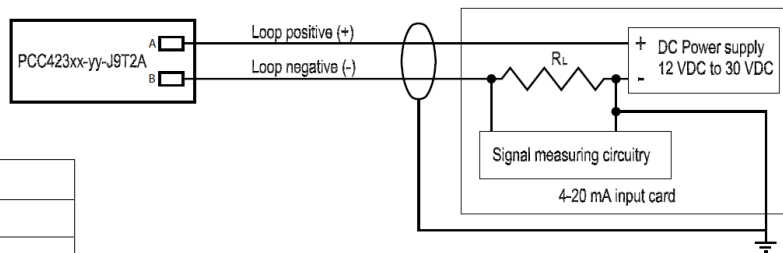


Side exit loop powered sensor with integral cable

PCC423

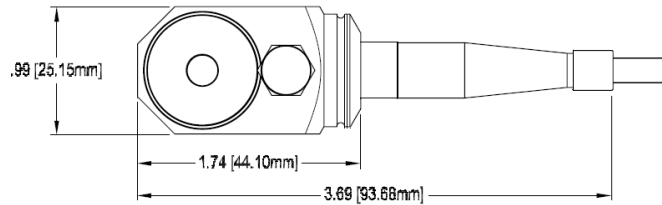
Wilcoxon's side exit PCC423 sensors provide 4-20 mA output signal proportional to the overall vibration level. An output of 4 mA indicates no vibration; a level of 0 ips for velocity output models; a level of 0 g for acceleration output models. A full-scale reading of 20 mA indicates that the maximum range (RMS or peak) of vibration is present.

PCC423 J9T2A wiring diagram and pin out

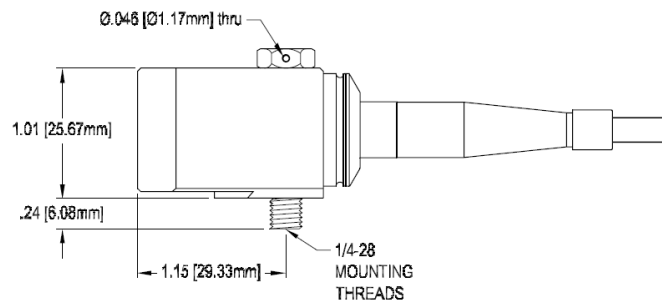


Function	Cable
ground	shield
loop positive (+)	white
loop negative (-)	black

Top view



Side view



Note: Due to continuous process improvement, specifications are subject to change without notice. This document is cleared for public release.

Key features

- Acceleration or velocity output units
- Enables continuous trending of machine vibration
- True root-mean-square (RMS) or calculated peak output
- Corrosion resistant
- Hermetically sealed
- ESD, overload and reverse wiring protection

Certifications



Side exit loop powered sensor with integral cable

PCC423

SPECIFICATIONS

Output, 4-20 mA	see table 1
Full scale, 4-20 mA, ±5%	selectable, see table 1
Frequency response, 4-20 mA	see table 2
Repeatability	± 2%
Transverse sensitivity, max	5%
Power requirements (2-wire loop power): Voltage at sensor terminals	12 - 30 VDC
Loop resistance at 24 VDC, max	700 Ω
Turn on time, 4-20 mA loop	<30 seconds
Grounding	case isolated, internally shielded
Temperature range	-40 to +105° C
Vibration limit	250 g peak
Shock limit	2,500 g peak
Sealing	hermetic
Sensing element design	PZT ceramic / shear
Weight	145 grams (excluding cable)
Case material	stainless steel
Mounting	captive screw, 1/4-28*
Output connector	J9T2A integral cable, 16 ft, shielded twisted pair**

Table 1 – PCC423xx-yy-C configuration guide

Output type		
xx	AR	Acceleration - RMS
	AP	Acceleration - peak
	VR	Velocity - RMS
	VP	Velocity - peak
Full scale (acceleration output in g, velocity output in ips)		
yy	05	5 g or 0.5 ips
	10	10 g or 1.0 ips
	20	20 g or 2.0 ips
	50	5.0 ips
Output connector		
C	J9T2A	Shielded, twisted pair cable, high temp
	J10	Shielded, twisted pair cable, general

* M6 captive screw available as an option

** J10 cable is available as an option

Table 2 – PCC423 frequency response

Acceleration	± 10%	10 Hz - 1 kHz
	± 3 dB	1 Hz - 2 kHz
Velocity	± 10%	10 Hz - 1 kHz
	± 3 dB	3.5 Hz - 2 kHz

DC supply voltage	R _L (max resistance) ²	R _L (minimum wattage capability) ³
12 VDC	100 Ω	1/8 watt
20 VDC	500 Ω	1/4 watt
24 VDC	700 Ω	1/2 watt
26 VDC	800 Ω	1/2 watt
30 VDC	1,000 Ω	1/2 watt

Note: Due to continuous process improvement, specifications are subject to change without notice. This document is cleared for public release.

Contact

Wilcoxon Sensing Technologies

20511 Seneca Meadows Parkway
Germantown MD 20876, USA

Tel: +1 301 330 8811
Fax: +1 301 330 8873

info@wilcoxon.com

www.wilcoxon.com

Accessories supplied:

- SF6 mounting stud (metric mounting available)
- Calibration data (level 2)

Notes: ¹ Maximum loop resistance (R_L) can be calculated by:

$$R_L = \frac{VDC - 10 V}{20 mA}$$

² Lower resistance is allowed, greater than 10 Ω recommended.

³ Minimum R_L wattage determined by: (0.0004 x R_L).