

SPECIFICATION

Part No. : **PCB.MMCXFSTJ.HT**

Product Name : MMCX(F) Jack – Vertical PCB Through Hole
Jack

Feature : MMCX(F) Jack
Vertical PCB Through Hole Jack
Frequency Range: DC up to 6GHz
Finish: Gold
Leg Length: 3.0mm
Total Length: 7.5mm
RoHS Compliant



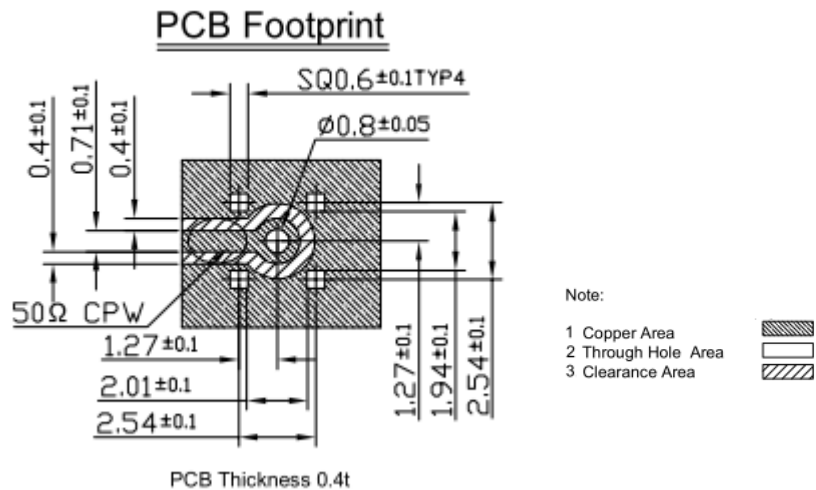
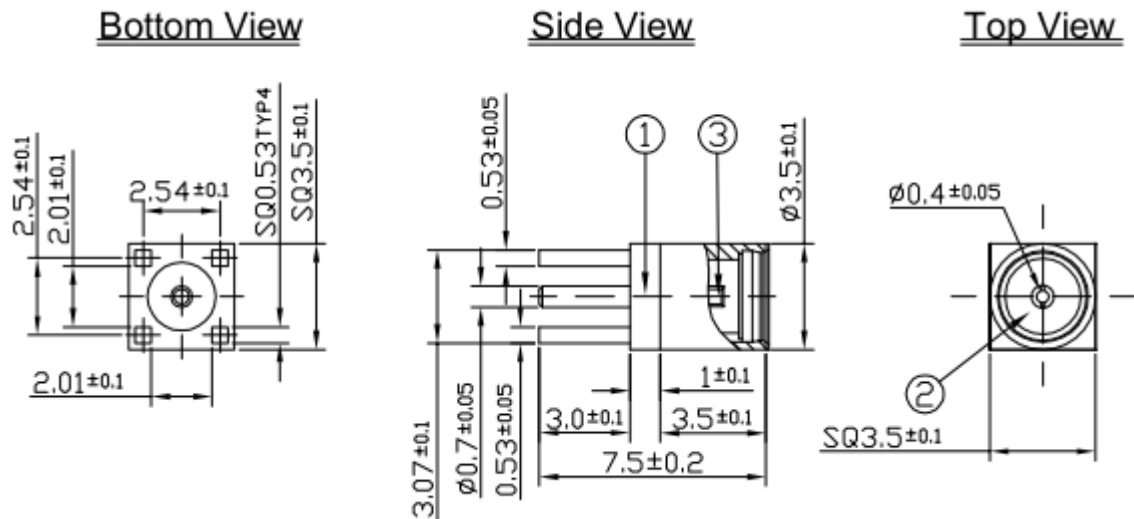
1. Introduction

The PCB.MMCXFSTJ.HT connector was designed to be mounted on a PCB. The maximum thickness of PCB that the connector can be used with is 2.5mm. The connector pin is directly soldered onto pads on the PCB. The connector is a standard MMCX (F) Jack. Taoglas connectors are all RoHS compliant.

2. Specification

ELECTRICAL	
Impedance	50Ω
Frequency Range	DC~6 GHz
Working Voltage	Max. ≤170 Vrms
Dielectric withstanding Voltage	500 Vrms
Insulation Resistance	≥1000M MΩ
MECHANICAL	
Connector Dimension	7.5mm*Ø3.5mm
Max. Thickness PCB acceptable	2.5mm
Connector Pin Diameter	0.7 mm
Connector Type	MMCX(F) Vertical PCB Thru Hole Jack
ENVIRONMENTAL	
RoHS compliant	
Operating Temperature	-40°C to +85°C

3. Connector Drawing



	Name	Material	Finish	QTY
1	Body	Phosphor Bronze	Gold	1
2	Insulator	Teflon	White	1
3	Female Contact	Phosphor Bronze	Gold	1