



American Hakko Products, Inc.

PRODUCT BULLETIN

Bulletin No: PB463

Issue Date: 2-8-2023

Effective Date: 3-1-2023

Description/Title:

New HAKKO FX-9703 Micro Soldering Iron Kit

Part No:

FX9703-011, FX9703-81, T50-D02, T50-D04, T50-D06, T50-D1, T50-I01, T50-J01, T50-KU, T50-KN, AC5000

Comments:

The HAKKO FX-9703 Micro Soldering Iron extends the high-performance capabilities of the new FX-971 with a slim, lightweight and ergonomic handpiece ideal for work usually done under microscopes or other magnification such as soldering 0201 or 01005 components. The new handpiece features a slimmer cord assembly to reduce the weight felt by the user, a built-in sensor to detect when the iron is in use or should be put to sleep and uses newly designed T50 Series tips with higher power output and optimized geometries to achieve peak performance of the HAKKO Composite Ceramic™ heater at its heart. The HAKKO FH-215 Holder eliminates the need to use tools or hot pads when changing tips, incorporates a built-in tip stand, and has a triple-function tip cleaning area that includes a wire brush cleaner, sponge, and tip wipe.



Specifications:

Model	FX-9703
Part No.	FX9703-011
Input Voltage	120 VAC 50/60 Hz
Power Consumption	70 W / 24 V
Temperature range	50°C – 450°C (120°F – 850°F)
Tip-to-Ground Resistance	<2 Ω
Tip-to-Ground Potential	<2 mV
Heater	HAKKO Composite Ceramic™
Tips¹	T50 Series
Cord Length	1.2 m (3.9 ft.)
Total Length (w/o cord)²	174 mm (6.9 in.)
Weight (w/o cord)²	15 g (0.5 oz.)

Contents

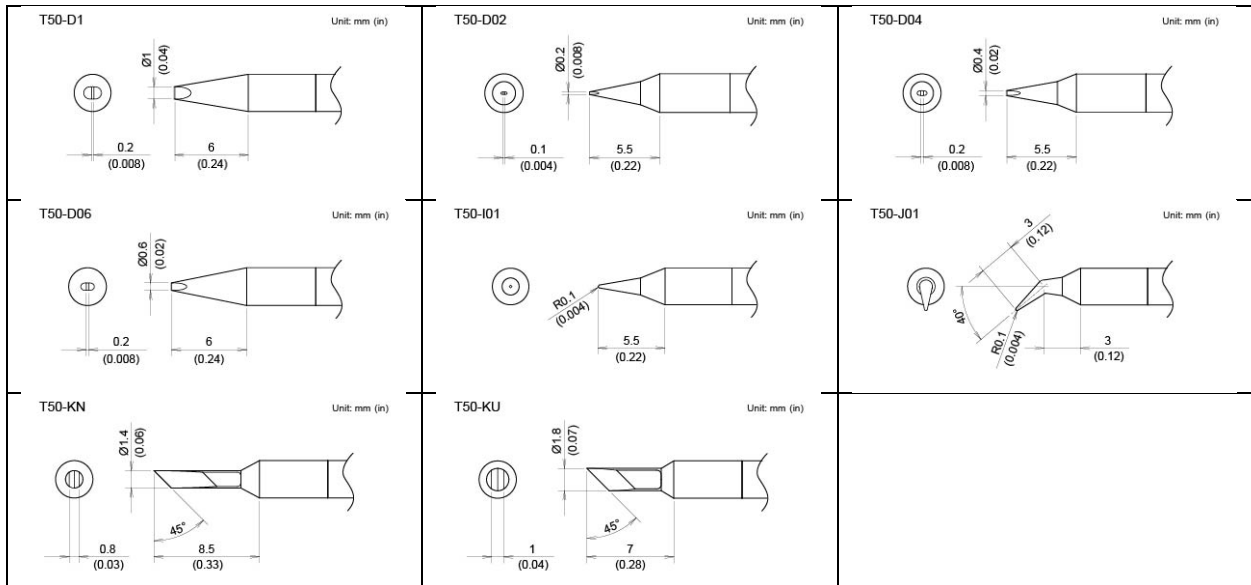
Part No.	Description
FX9703-81	FX-9703 Micro Soldering Handpiece
FH215-011	FH-215 Holder Includes: • A1561 Tip Cleaning Wire • A5038 Cleaning Sponge
--	Instruction Manual

¹ – Tips not included

² – As measured with T50-D1 Tip installed

Specifications (continued):

T50 Series Tips



For more information, please visit www.HakkoUSA.com or call 1-800-88-HAKKO (42556)