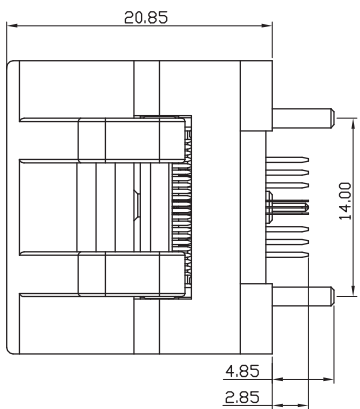
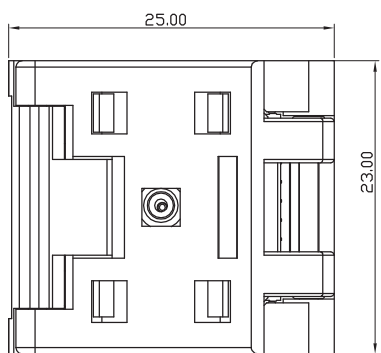
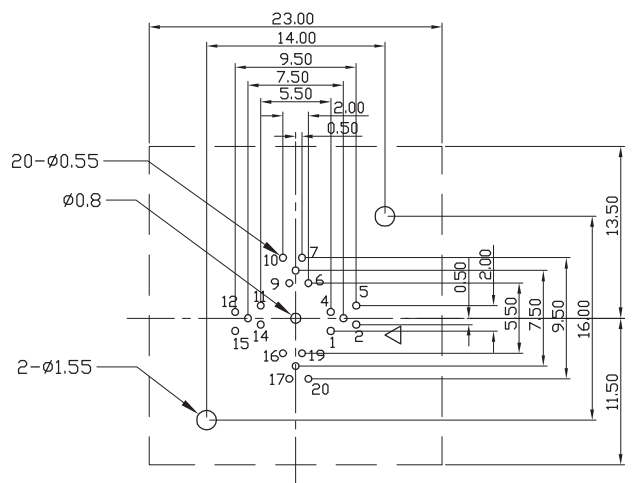


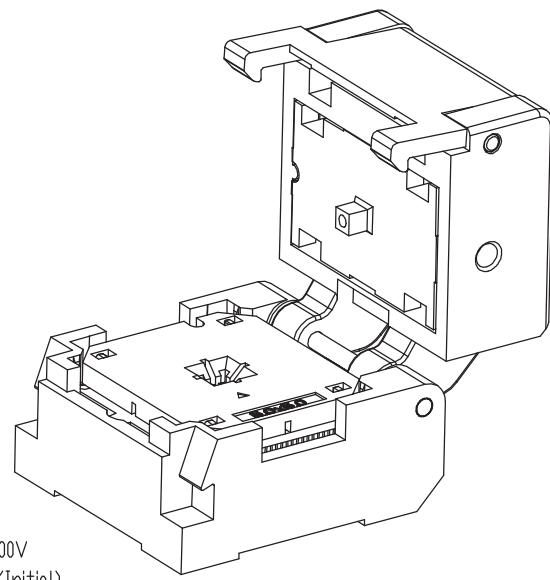
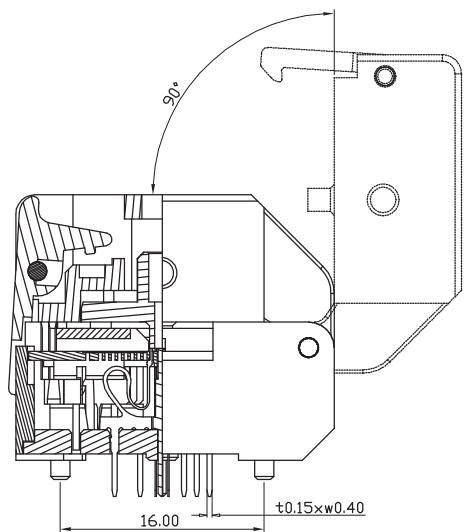
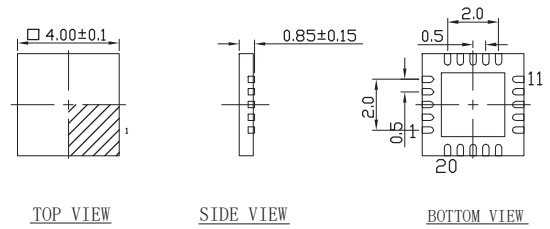
REVISION	DESCRIPTION	CHECK	APP	DATE	REV. NOTICE. NO
1					
2					
3					



PCB Pattern(TOP View)



Applicable IC



PERFORMANCE

1. Insulation Resistance: 1000M Ω Min.At DC 500V
2. Dielectric Withstanding Voltage For 1 Minute At AC 700V
3. Contact Resistance 30m Ω MAX. at 10mA and 20mV MAX.(Initial)
4. Current Rating: 1A max.
5. Operation Temperature -40°C ~+155°C
6. Life Span 15,000 Times (Mechanical)
7. Operation Force 2.0 Kg MAX

TOLERANCE	PROJECTION	GENERAL TOLERANCES	#010	TITLE	PA-SOCKET-QFN-20-0.5
X. ± 0.50	DIMENSION: mm	RE V	A	CLASS	
X.X ± 0.25	APP:	SCALE: 1:1	DATE:	DRW. NO	
X.XX ± 0.10	CHECK:	DATE:	PROTO ADVANTAGE®		
X.XXX ± 0.05	DEGK: ENG03	DATE: 20150606			