

# DATA SHEET

## TRANSIENT VOLTAGE SUPPRESSORS

### AC/DC POWER SUPPLY

P4KE-AT series

RoHS compliant & Halogen free



Product specification— June 30, 2023 V.3



## Transient Voltage Suppressors (TVS) Data Sheet

### Features

- Glass passivated junction
- Low inductance
- Excellent clamping capability
- 400W peak pulse power capability at 10/1000 $\mu$ s waveform, repetition rate (duty cycle): 0.01%
- Fast response time
- Typical  $I_R$  less than 1 $\mu$ A above 12V
- High Temperature soldering guaranteed: 265 $^{\circ}$ C/10 seconds/.375", (9.5mm) lead length, 5lbs (2.3kg) tension
- Plastic package has underwriters laboratory flammability 94V-0
- Meets MSL level 1, per J-STD-020
- Safety certification: UL
- AEC-Q101 qualified
- IEC61000-4-2 ESD 30KV Air, 30KV contact compliance



### Mechanical Data

- Case: JEDEC DO-41 Moulded plastic
- Terminal: Axial leads, solderable per MIL-STD-750, Method 2026
- Polarity: Color band denotes cathode except bi-directional models
- Mounting Position: Any
- Weight: 0.33g

### Applications

- I/O interface
- AC/DC power supply
- Low frequency signal transmission line (RS232, RS485, etc.)

### Maximum Ratings and Characteristics

Ratings at 25 $^{\circ}$ C ambient temperature unless otherwise specified.

Rating	Symbol	Value	Units
Peak pulse power dissipation at 10/1000 $\mu$ s waveform (Note1, Fig.1)	$P_{PPM}$	Minimum 400	Watts
Peak pulse current of at 10/1000 $\mu$ s waveform (Note 1, Fig.3)	$I_{PPM}$	See Table	Amps
Steady state power dissipation at $T_L=75^{\circ}$ C (Fig.5)	$P_{M(AV)}$	1.5	Watts
Peak forward surge current, 8.3ms single half sine-wave superimposed on rated load, (JEDEC Method) (Note2, Fig.6)	$I_{FSM}$	40	Amps
Operating junction and Storage Temperature Range.	$T_J, T_{STG}$	-55 to +150	$^{\circ}$ C
Typical thermal resistance junction to lead	$R_{\theta JL}$	60	$^{\circ}$ C/W
Typical thermal resistance junction to ambient	$R_{\theta JA}$	100	$^{\circ}$ C/W

Notes: 1. Non-repetitive current pulse, per Fig.3 and derated above  $T_A=25^{\circ}$ C per Fig.2.

2. 8.3ms single half sine-wave, or equivalent square wave, duty cycle=4 pulses per minutes maximum.

**Dimensions (DO-204AL/DO-41)**

	Symbol	Millimeters		Inches	
		Min.	Max.	Min.	Max.
	L	25.40	-	1.000	-
	T	4.10	5.20	0.160	0.205
	d	2.00	2.70	0.080	0.107
s	0.71	0.86	0.028	0.034	

**Electrical Characteristics (T<sub>A</sub>=25°C)**

Part Number		Reverse Stand-Off Voltage	Breakdown Voltage @I <sub>T</sub>	Test Current	Maximum Clamping Voltage @I <sub>PP</sub>	Peak Pulse Current	Reverse Leakage @V <sub>RWM</sub>
Unidirectional	Bidirectional	V <sub>RWM</sub> (V)	V <sub>BR</sub> (V)	I <sub>T</sub> (mA)	V <sub>C</sub> (V)	I <sub>PP</sub> (A)	I <sub>R</sub> (μA)
P4KE6.8A-AT	P4KE6.8CA-AT	5.80	6.45~7.14	10	10.5	39.0	1000
P4KE7.5A-AT	P4KE7.5CA-AT	6.40	7.13~7.88	10	11.3	36.3	500
P4KE8.2A-AT	P4KE8.2CA-AT	7.02	7.79~8.61	10	12.1	33.9	200
P4KE9.1A-AT	P4KE9.1CA-AT	7.78	8.65~9.55	1	13.4	30.6	50
P4KE10A-AT	P4KE10CA-AT	8.55	9.50~10.50	1	14.5	28.3	10
P4KE11A-AT	P4KE11CA-AT	9.40	10.50~11.60	1	15.6	26.3	5
P4KE12A-AT	P4KE12CA-AT	10.20	11.40~12.60	1	16.7	24.6	5
P4KE13A-AT	P4KE13CA-AT	11.10	12.40~13.70	1	18.2	22.5	1
P4KE15A-AT	P4KE15CA-AT	12.80	14.30~15.80	1	21.2	19.3	1
P4KE16A-AT	P4KE16CA-AT	13.60	15.20~16.80	1	22.5	18.2	1
P4KE18A-AT	P4KE18CA-AT	15.30	17.10~18.90	1	25.2	16.1	1
P4KE20A-AT	P4KE20CA-AT	17.10	19.00~21.00	1	27.7	14.8	1
P4KE22A-AT	P4KE22CA-AT	18.80	20.90~23.10	1	30.6	13.4	1
P4KE24A-AT	P4KE24CA-AT	20.50	22.80~25.20	1	33.2	12.3	1
P4KE27A-AT	P4KE27CA-AT	23.10	25.70~28.40	1	37.5	10.9	1
P4KE30A-AT	P4KE30CA-AT	25.60	28.50~31.50	1	41.4	9.9	1
P4KE33A-AT	P4KE33CA-AT	28.20	31.40~34.70	1	45.7	9.0	1
P4KE36A-AT	P4KE36CA-AT	30.80	34.20~37.80	1	49.9	8.2	1
P4KE39A-AT	P4KE39CA-AT	33.30	37.10~41.00	1	53.9	7.6	1
P4KE43A-AT	P4KE43CA-AT	36.80	40.90~45.20	1	59.3	6.9	1
P4KE47A-AT	P4KE47CA-AT	40.20	44.70~49.40	1	64.8	6.3	1
P4KE51A-AT	P4KE51CA-AT	43.60	48.50~53.60	1	70.1	5.8	1
P4KE56A-AT	P4KE56CA-AT	47.80	53.20~58.80	1	77.0	5.3	1

**Transient Voltage Suppressors**

P4KE-AT

Part Number		Reverse Stand-Off Voltage	Breakdown Voltage @ $I_T$	Test Current	Maximum Clamping Voltage @ $I_{PP}$	Peak Pulse Current	Reverse Leakage @ $V_{RWM}$
Unidirectional	Bidirectional	$V_{RWM}(V)$	$V_{BR}(V)$	$I_T(mA)$	$V_C(V)$	$I_{PP}(A)$	$I_R(\mu A)$
P4KE62A-AT	P4KE62CA-AT	53.00	58.90~65.10	1	85.0	4.8	1
P4KE68A-AT	P4KE68CA-AT	58.10	64.60~71.40	1	92.0	4.5	1
P4KE75A-AT	P4KE75CA-AT	64.10	71.30~78.80	1	103.0	4.0	1
P4KE82A-AT	P4KE82CA-AT	70.10	77.90~86.10	1	113.0	3.6	1
P4KE91A-AT	P4KE91CA-AT	77.80	86.50~95.50	1	125.0	3.3	1
P4KE100A-AT	P4KE100CA-AT	85.50	95.00~105.00	1	137.0	3.0	1
P4KE110A-AT	P4KE110CA-AT	94.00	105.00~116.00	1	152.0	2.7	1
P4KE120A-AT	P4KE120CA-AT	102.00	114.00~126.00	1	165.0	2.5	1
P4KE130A-AT	P4KE130CA-AT	111.00	124.00~137.00	1	179.0	2.3	1
P4KE150A-AT	P4KE150CA-AT	128.00	143.00~158.00	1	207.0	2.0	1
P4KE160A-AT	P4KE160CA-AT	136.00	152.00~168.00	1	219.0	1.9	1
P4KE170A-AT	P4KE170CA-AT	145.00	162.00~179.00	1	234.0	1.8	1
P4KE180A-AT	P4KE180CA-AT	154.00	171.00~189.00	1	246.0	1.7	1
P4KE200A-AT	P4KE200CA-AT	171.00	190.00~210.00	1	274.0	1.5	1
P4KE220A-AT	P4KE220CA-AT	185.00	209.00~231.00	1	328.0	1.3	1
P4KE250A-AT	P4KE250CA-AT	214.00	237.00~263.00	1	344.0	1.2	1
P4KE300A-AT	P4KE300CA-AT	256.00	285.00~315.00	1	414.0	1.0	1
P4KE350A-AT	P4KE350CA-AT	300.00	332.00~368.00	1	482.0	0.85	1
P4KE400A-AT	P4KE400CA-AT	342.00	380.00~420.00	1	548.0	0.75	1
P4KE440A-AT	P4KE440CA-AT	376.00	418.00~462.00	1	602.0	0.68	1
P4KE480A-AT	P4KE480CA-AT	408.00	456.00~504.00	1	658.0	0.61	1
P4KE510A-AT	P4KE510CA-AT	434.00	485.00~535.00	1	698.0	0.57	1
P4KE530A-AT	P4KE530CA-AT	450.00	503.50~556.50	1	725.0	0.55	1
P4KE540A-AT	P4KE540CA-AT	459.00	513.00~567.00	1	740.0	0.54	1
P4KE550A-AT	P4KE550CA-AT	467.00	522.50~577.50	1	760.0	0.52	1
P4KE600A-AT	P4KE600CA-AT	510.00	570.00~630.00	1	828.0	0.48	1

**Ratings and Characteristic Curves ( $T_A=25^\circ\text{C}$  unless otherwise noted)**

Figure 1. Peak Pulse Power Rating Curve

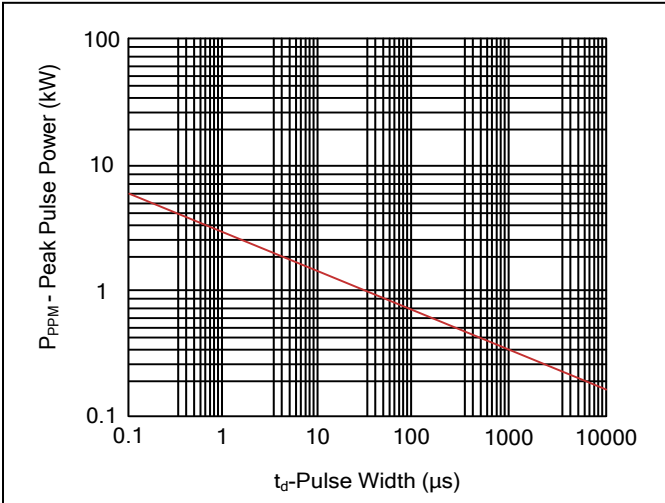


Figure 2. Pulse Derating Curve

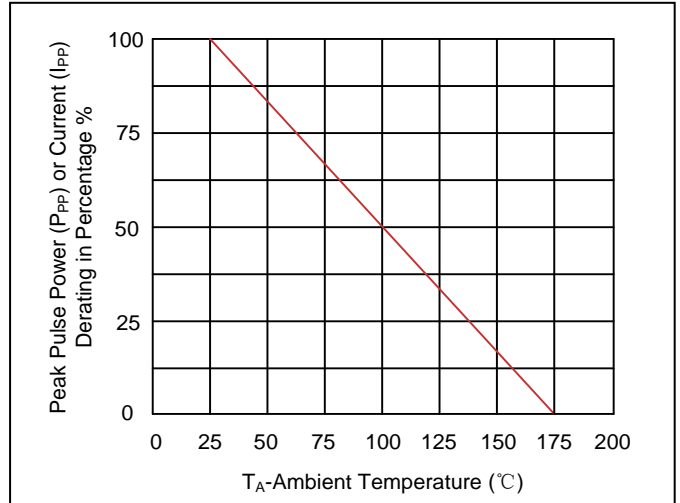


Figure 3. Pulse Waveform

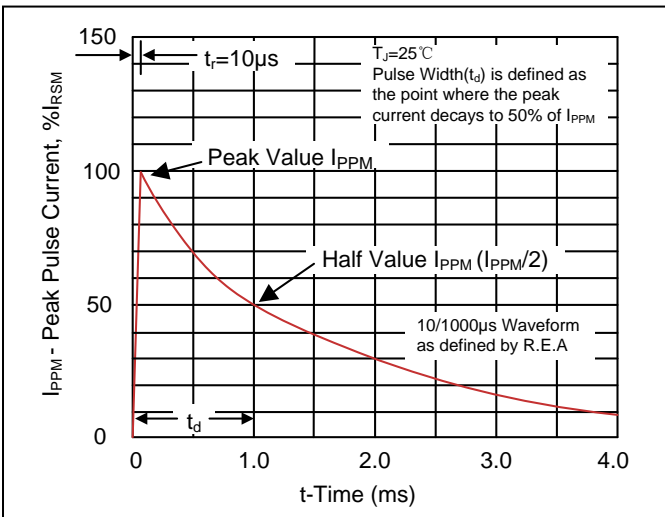


Figure 4. Typical Junction Capacitance

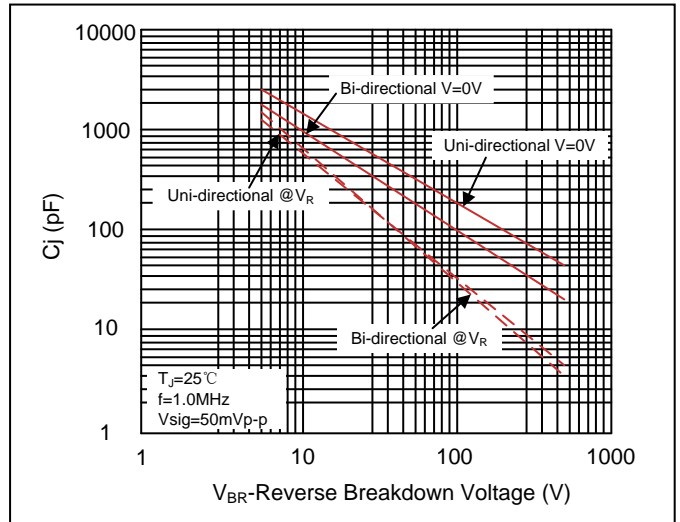


Figure 5. Steady State Power Dissipation Derating Curve

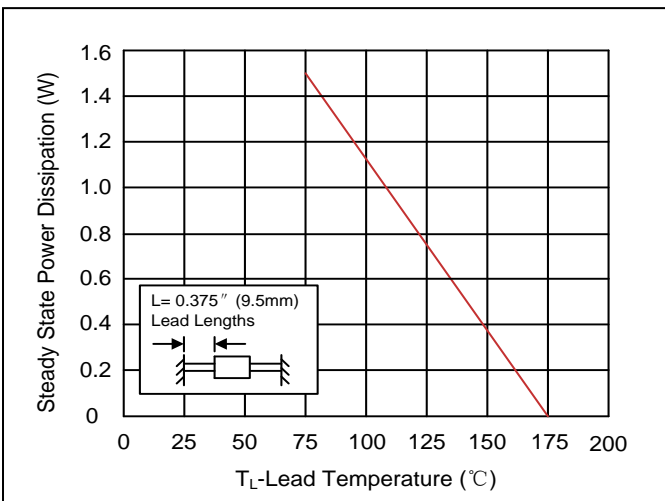
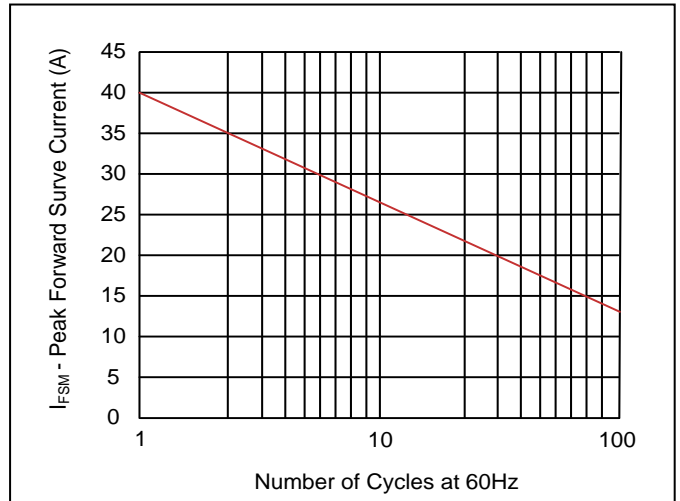
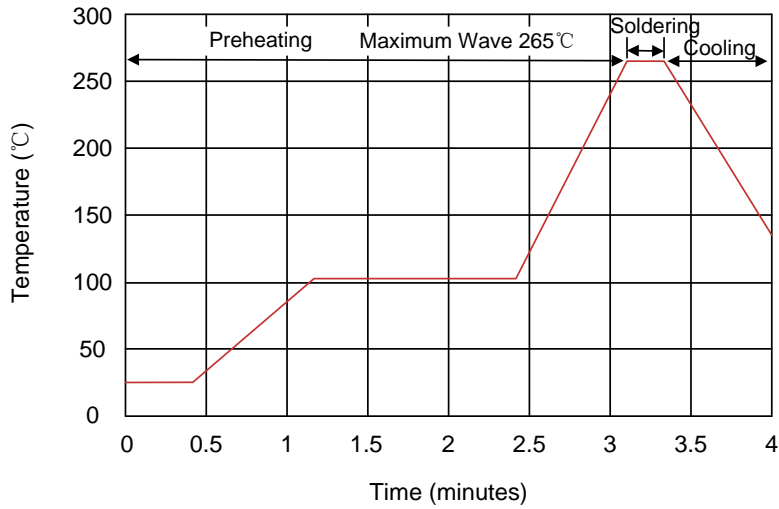


Figure 6. Maximum Non-Repetitive Forward Surge Current Uni-Directional Only



### Recommended Soldering Conditions

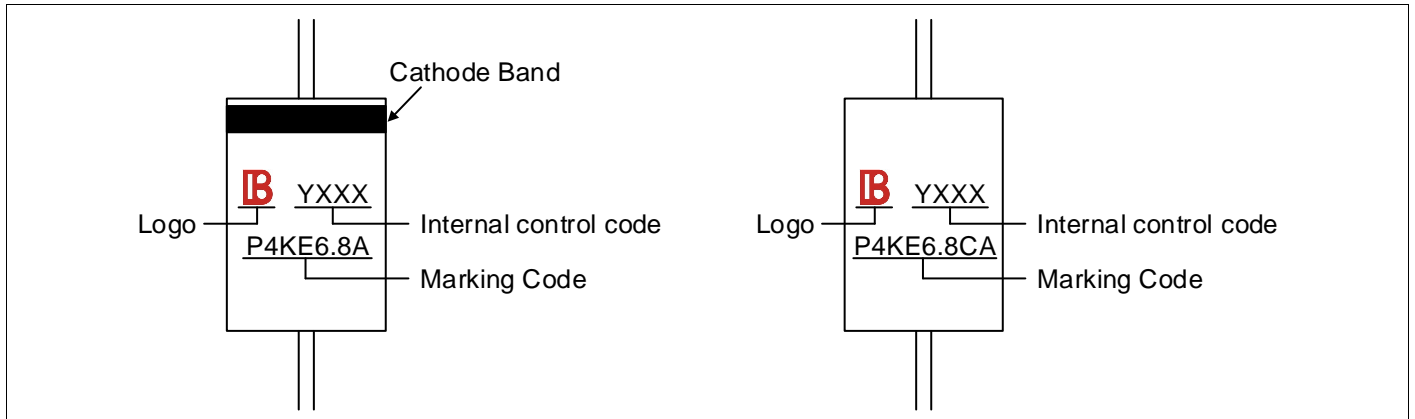
#### Wave Soldering



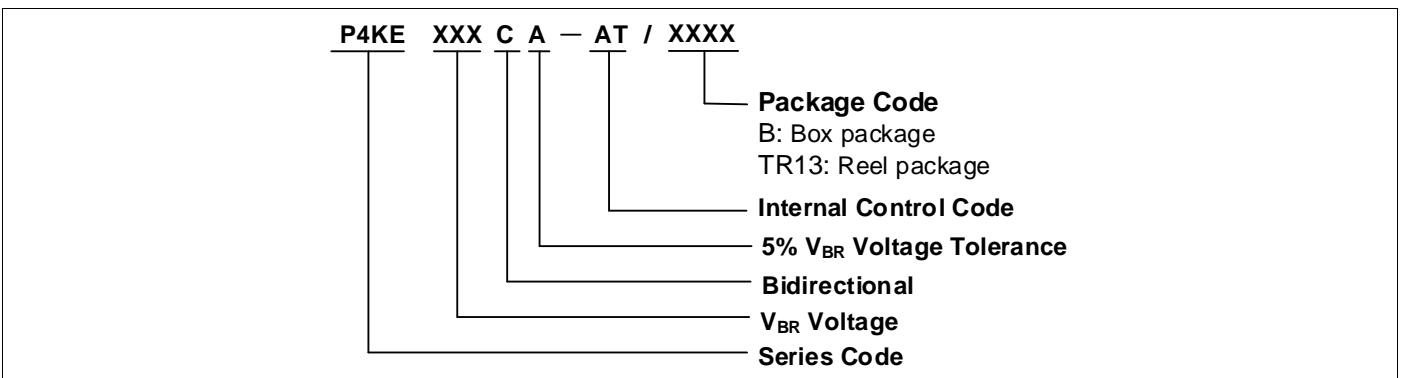
#### Recommended Conditions

Item	Conditions
Peak Temperature	265°C
Dipping Time	10 seconds
Soldering	1 time

### Marking Code



### Part Number Code

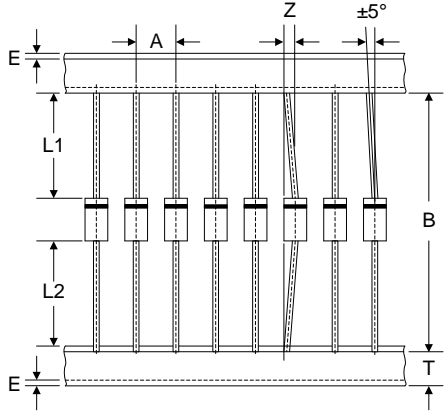
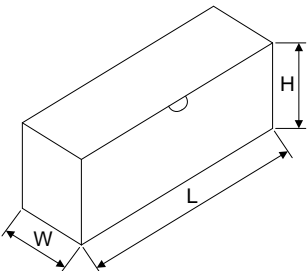
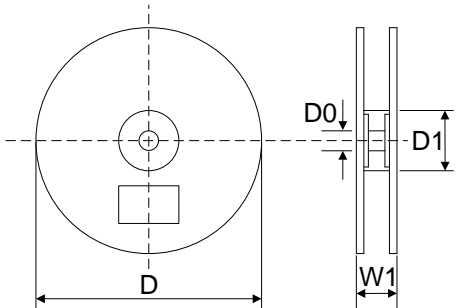


**Ordering Code for Different Package**

Box package: Add suffix "/B" at the end of the part number, such as P4KEXXXCA-AT/B

Reel package: Add suffix "/TR13" at the end of the part number, such as P4KEXXXCA-AT/TR13

**Packaging**

Tape	Symbol Dimension (mm)	
	A	5.0±0.5
	B	53.0±1.0
	Z	1.2Max.
	T	6.0±0.4
	E	0.8Max.
	L1-L2	1.0Max.
		L
W		75.0±5.0
H		114.0±5.0
Quantity: 3000PCS		
	D	330.0±3.0
	D0	16.4±2.0
	D1	86.0±2.0
	W1	76.0±3.0
	Quantity: 5000PCS	

## LEGAL DISCLAIMER

YAGEO, its distributors and agents (collectively, "YAGEO"), hereby disclaims any and all liabilities for any errors, inaccuracies or incompleteness contained in any product related information, including but not limited to product specifications, datasheets, pictures and/or graphics. YAGEO may make changes, modifications and/or improvements to product related information at any time and without notice.

YAGEO makes no representation, warranty, and/or guarantee about the fitness of its products for any particular purpose or the continuing production of any of its products. To the maximum extent permitted by law, YAGEO disclaims (i) any and all liability arising out of the application or use of any YAGEO product, (ii) any and all liability, including without limitation special, consequential or incidental damages, and (iii) any and all implied warranties, including warranties of fitness for a particular purpose, non-infringement and merchantability.

YAGEO products are designed for general purpose applications under normal operation and usage conditions. Please contact YAGEO for the applications listed below which require especially high reliability for the prevention of defects which might directly cause damage to the third party's life, body or property: Aerospace equipment (artificial satellite, rocket, etc.), Atomic energy-related equipment, Aviation equipment, Disaster prevention equipment, crime prevention equipment, Electric heating apparatus, burning equipment, Highly public information network equipment, data-processing equipment, Medical devices, Military equipment, Power generation control equipment, Safety equipment, Traffic signal equipment, Transportation equipment and Undersea equipment, or for any other application or use in which the failure of YAGEO products could result in personal injury or death, or serious property damage. Particularly **YAGEO Corporation and its affiliates do not recommend the use of commercial or automotive grade products for high reliability applications or manned space flight.**

Information provided here is intended to indicate product specifications only. YAGEO reserves all the rights for revising this content without further notification, as long as products are unchanged. Any product change will be announced by PCN.