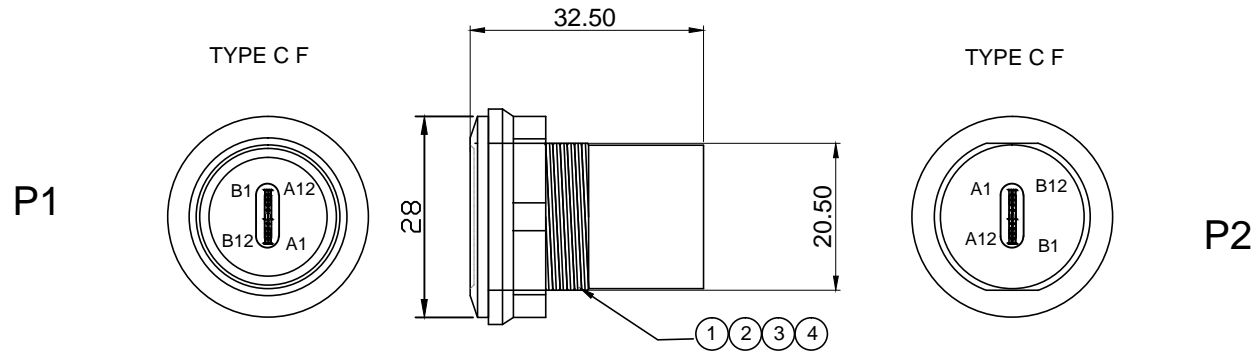


RoHS Compliant



- NOTES:
1. PIN ASSIGNMENT SEE TO WIRE LIST.
  2. ELECTRICAL TEST CONDITION:
    - (a). 100% OPEN, SHORT & MISWIRE TEST,
    - (b). INSULATOR RESISTANCE: 10 Mohm MIN.  
DC 300V 0.01sec.
    - (c). CONTACT RESISTANCE: 3ohm MAX.

PIN ASSIGNMENT

P1	P2
A2-----	A2
A3-----	A3
A5-----	A5
A6-----	A6
A7-----	A7
A8-----	A8
B8-----	B8
A10-----	A10
A11-----	A11
B2-----	B2
B3-----	B3
B5-----	B5
B11-----	B11
B10-----	B10

A1+B1+A4+B4-----	A1+B1+A4+B4
+A9+B9+A12+B12-----	+A9+B9+A12+B12
-----SHELL-----	-----SHELL-----

4	NUT BLACK PVC 27P MOLDED.	
3	PVC 45P BLACK.	
2	TYPE C F BLACK PBT WITH NICKLE PLATED SHELL G/F.	
1	MICRO USB B F BLACK PBT WITH NICKLE PLATED SHELL G/F.	
NO.	Description	P/N

DWG NO:	PCM-0169	GOODS CODE		Draw	Jason	Date	2019/3/30
ITEM NO.		DRAWING EVIDENCE		Check		Date	
Goods NO.				Approval		Date	
Original NO.		Unit(mm)					

PREMIER CABLE MFG CO LTD	D		
	C		
	B		
	VER.A	REVISE	Date.