

THIS IS ISSUED IN STRICT CONFIDENCE THAT IT IS NOT USED AS A BASIS FOR MANUFACTURE OR SALE AND THAT IT IS NOT COPIED, REPRINTED OR DISCLOSED TO A THIRD PARTY EITHER WHOLLY OR IN PART WITHOUT THE PRIOR WRITTEN CONSENT OF CAL TEST ELECTRONICS, INC.

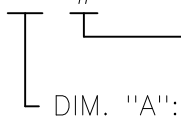
- 4 mm SAFETY JACK, REAR MOUNT, HORIZONTAL & VERTICAL PCB.
- SPECIFICATIONS:
INSULATOR: BASF ULTRAMID, POLYAMIDE 66, A3K R01, V-2 OR BETTER, UL QMFZ2.
CONTACT: BRASS, NICKEL PLATED, 1-3 micrometers.
- RATING:
VOLTAGE: 1,000 V CAT III P2.
CURRENT: 25 A MAX.
RESISTANCE: <5 m.
TEMPERATURE: -20° C TO +80°C.
- MOUNTING: REF. DIAGRAM.
- MAXIMUM PANEL THICKNESS: 3 (.12).
- MODEL CT3151XX-#, UL RECOGNIZED COMPONENT, CCN: PICQ2, PICQ8
FILE NUMBER: E315929.



- MODELS ARE RoHS 2 COMPLIANT.
- STANDARDS: UL 61010-1; CAN/CSA-C22.2 NO. 61010-1.

PART NUMBER

CT3151xx-#



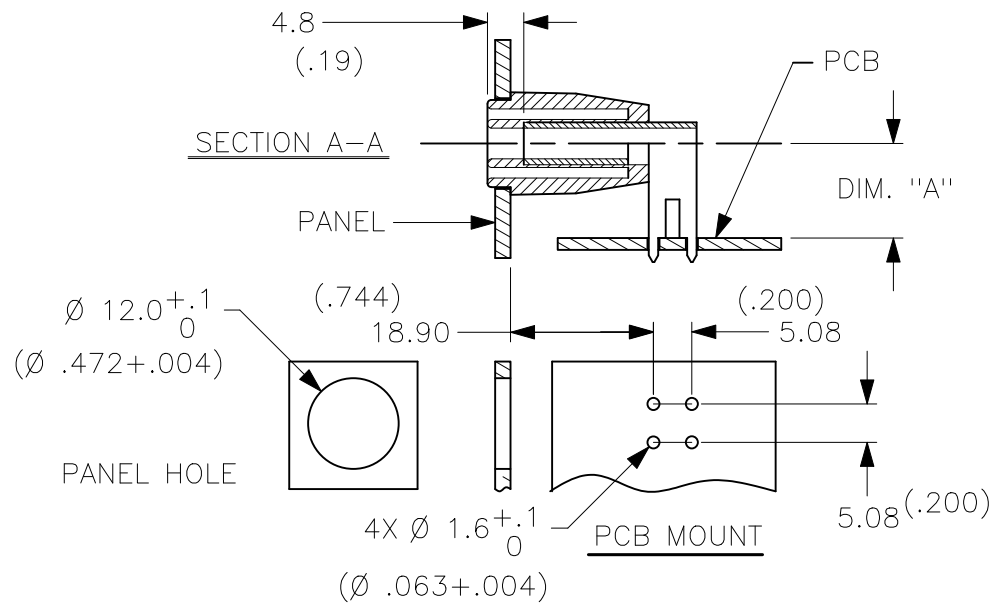
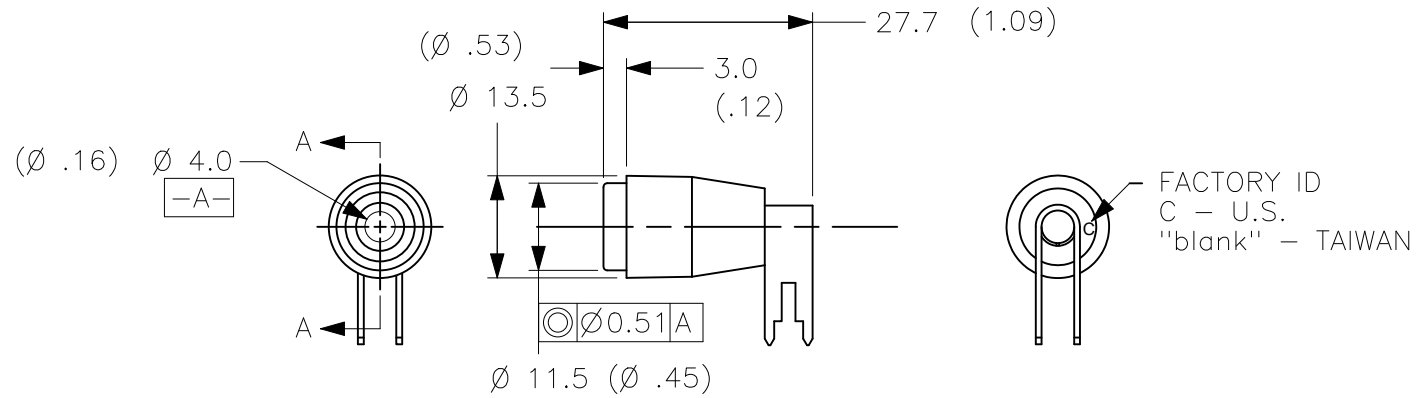
'blank'- 12.5 mm (.492") HORZ
SP - 7.6 mm (.300") HORZ
V1 - 19.0 mm (.750") VERT

- COLOR:
- 0 - BLACK
 - 1 - BROWN
 - 2 - RED
 - 4 - YELLOW
 - 5 - GREEN
 - 6 - BLUE
 - 7 - PURPLE
 - 8 - GRAY
 - 9 - WHITE

REVISIONS			
REV.	DESCRIPTIONS	DATE	APPROVED
-	CLASS A RELEASED	10/13/03	
A	Added Dim. "A" and table.	6/20/06	
B	Note 2., Added Alt. Matl. 2; Note 3., was IEC61010-031; Added notes 6 & 7.	12/20/07	
C	Note 2., Deleted Alt. 1 & 2 (PP); Note 3., was UL61010B-1; Deleted Note 6.	1/25/08	
D	Added Sheet 2 w/line drawing; Note 2., Revised insulator material was A221.	6/27/08	
E	P1, added UL notation, Note 6; P2 added concentricity notation to diagram.	5/22/09	
F	P1, Updated UL information; added note 8.	5/28/12	
G	P1, note 2, added SOLVAY/ to mfg'er name.	2/21/17	
H	Updated drawing to METRIC dimensioning; Added Sheet 3, Vertical Jack; Revised sheet 1 notes and part number table; Sheet 2, Dim. 4.8 (.19) was 6.4 (.25)	8/9/17	
J	P1, Note 2, updated insulator material, was SOLVAY ENGINEERING PLASTICS...A205F.	4/26/21	B.Hansen

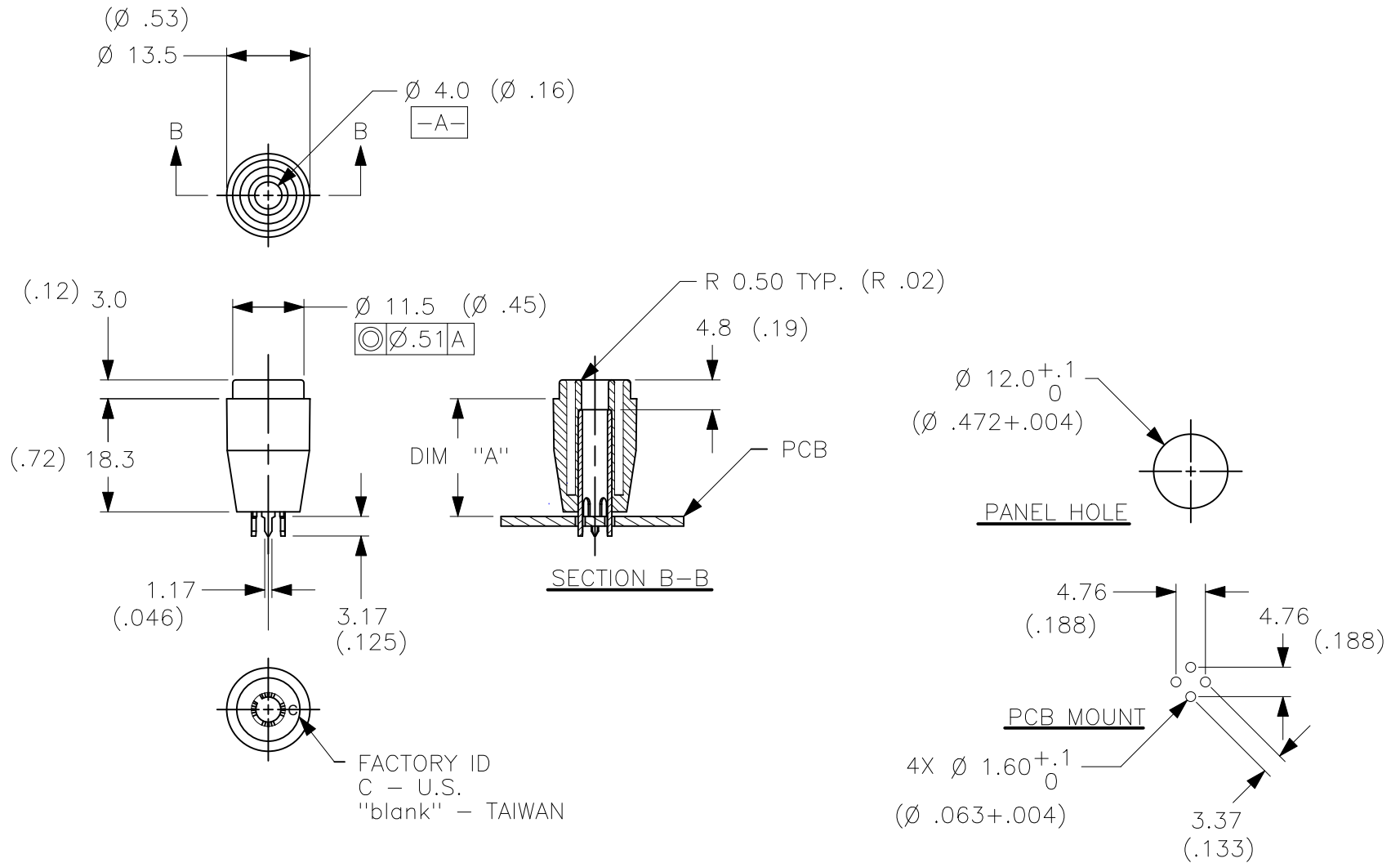
<h1>METRIC</h1>	UNLESS OTHERWISE SPECIFIED DIMENSIONS ARE IN MILLIMETERS TOLERANCES ARE: DECIMALS ANGLE X ± 0.8 ± 2° .XX ± 0.25	CONTRACT NO.		Cal Test Electronics 22820 Savi Ranch Parkway Yorba Linda, CA 92887-4610			
		DO NOT SCALE DRAWING	APPROVALS	DATE	TITLE 4 mm SAFETY JACK, HORIZONTAL & VERTICAL PCB MOUNT		
THIRD ANGLE PROJECTION	MATERIAL	DRAWN WDH	10/13/03	SIZE A			
	FINISH	CHECKED	ENGR.	SCALE 1:1	P315100_rJ, 4mm Sheath Jack, H&V PCB.pdf	SHEET 1 OF 3	
		DESIGN ACTIVITY					

THIS IS ISSUED IN STRICT CONFIDENCE THAT IT IS NOT USED AS A BASIS FOR MANUFACTURE OR SALE AND THAT IT IS NOT COPIED, REPRINTED OR DISCLOSED TO A THIRD PARTY EITHER WHOLLY OR IN PART WITHOUT THE PRIOR WRITTEN CONSENT OF CAL TEST ELECTRONICS, INC.



DRAWN		6/27/08		SIZE	CAGE CODE	DWG. NO.	REV.
WDH				A	43F45	P315100	J
CHECKED				SCALE	1:1	P315100_rJ, 4mm Sheath Jack, H&V PCB.pdf	SHEET 2 OF 3

THIS IS ISSUED IN STRICT CONFIDENCE THAT IT IS NOT USED AS A BASIS FOR MANUFACTURE OR SALE AND THAT IT IS NOT COPIED, REPRINTED OR DISCLOSED TO A THIRD PARTY EITHER WHOLLY OR IN PART WITHOUT THE PRIOR WRITTEN CONSENT OF CAL TEST ELECTRONICS, INC.



DRAWN	WDH	12/21/16	SIZE	A	CAGE CODE	43F45	DWG. NO.	P315100	REV.	J
CHECKED			SCALE	1:1	P315100_rJ, 4mm Sheath Jack, H&V PCB.pdf		SHEET	3 OF 3		