

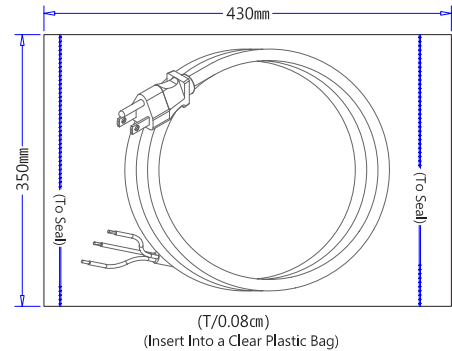
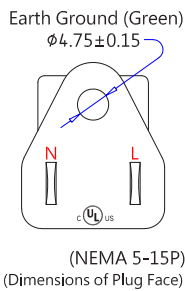
Mains Power Cord

NEMA 5-15P to Free End

**RoHS
Compliant**



2438.4±25.4 (96"±1")



Plug Component			Plug Component (Dimension)		
Colour	Component	Qty	RIJ	Split	Colour
35P (Black)	(Nema 5-15P)	1	6 +1/-0	22±2	Brown (L)
Nickel-plated	Ø4.75 GEM 98475ABS-1 (#14-#18) Earth Pins Terminal	1	6 +1/-0	22±2	Blue (N)
Nickel-plated	6.3×1.5 (#16-18) GEM 98675BBS-1 (Solid Blades)	2	6 +1/-0	22±2	Green-Yellow (E)
Black	301-1 (5-15P Inner Body)	1			

Free End Terminal Style (Dimensions)		
Strip	ROJ	Colour
15.8±1.5	50.8±3	Brown (L)
15.8±1.5	50.8±3	Blue (N)
15.8±1.5	50.8±3	Green-Yellow (E)

Mains Power Cord

NEMA 5-15P to Free End

Note

- 1, Hi-Pot Test : 1500V/1Sec; <0.5mA.
- 2, Continuity & Polarization Test : No short circuit, break circuit displacement.
- 3, Conductor Secureness Test : ≥18AWG 20lb; ≤18AWG 8lb; 1min.
- 4, Each end terminal shall be capable of withstanding a pull of #1820lb, #1630lb, #1450lb, #1270lb, #1080lb for 1min. without loosening.
- 5, Strain relief shall be Capable of withstanding a pull of ≤18AWG 20lb; ≥18AWG 30lb; 1min. without loosening.
- 6, All material according to Non-toxic standard.



Part Number Table

Description	Part Number
Mains Power Cord, NEMA 5-15P to Free End, 10A, Black, 8ft	P09601US-SJT-B

Important Notice : This data sheet and its contents (the "Information") belong to the members of the EASE group of companies (the "Group") or are licensed to it. No licence is granted for the use of it other than for information purposes in connection with the products to which it relates. No licence of any intellectual property rights is granted. The Information is subject to change without notice and replaces all data sheets previously supplied. The Information supplied is believed to be accurate but the Group assumes no responsibility for its accuracy or completeness, any error in or omission from it or for any use made of it. Users of this data sheet should check for themselves the Information and the suitability of the products for their purpose and not make any assumptions based on information included or omitted. Liability for loss or damage resulting from any reliance on the Information or use of it (including liability resulting from negligence or where the Group was aware of the possibility of such loss or damage arising) is excluded. This will not operate to limit or restrict the Group's liability for death or personal injury resulting from its negligence. EASE is the registered trademark of Ease Electronics Co., Limited 2019.