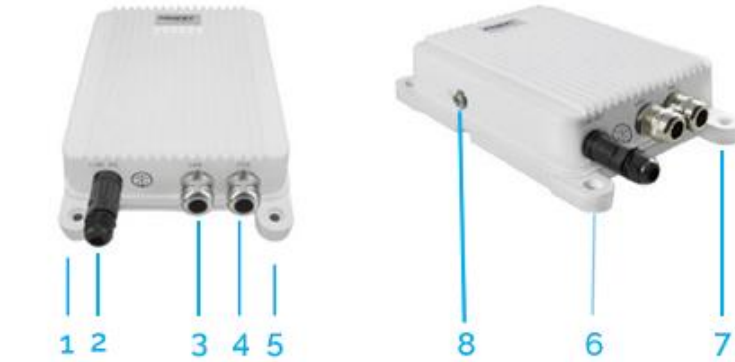


## Technical Data Sheet

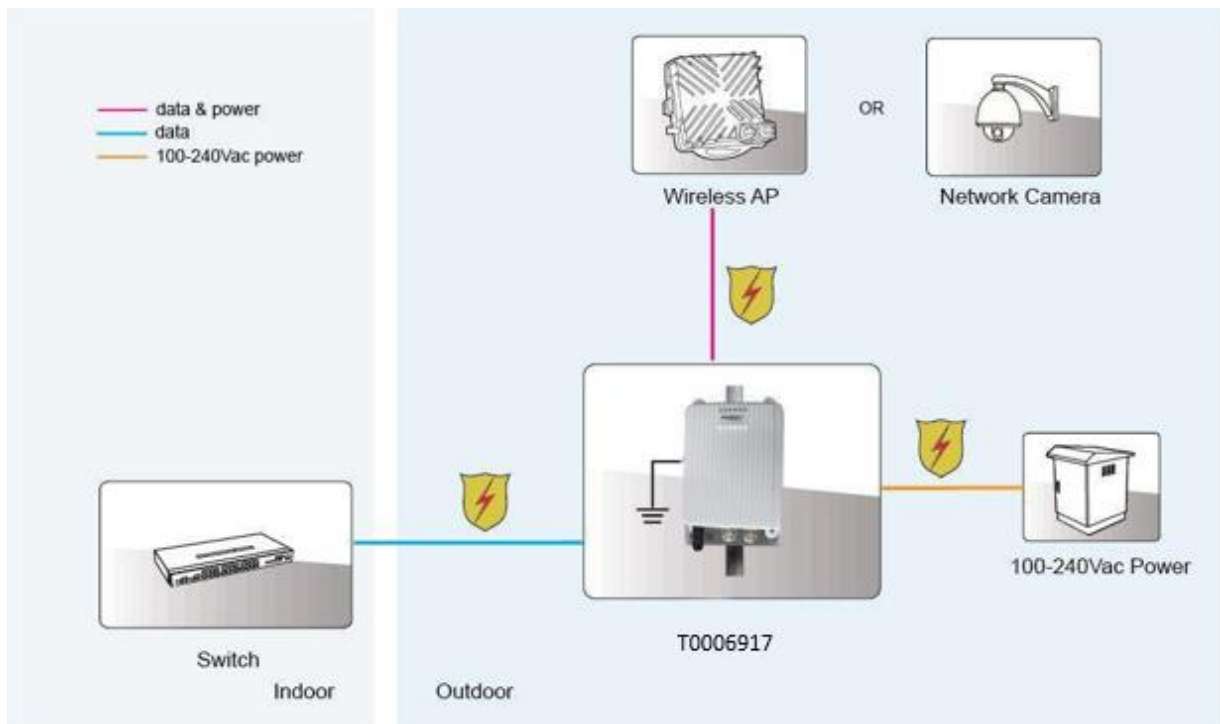
| <b>Outdoor 1-Port 60W PoE Injector</b>   |   |
|--|---|
| <b>Product Number</b>  | <b>T0006917</b>   |
|   |   |
| <b>Product Overview</b>  |   |
| <p>The T0006917 is a single port, waterproof PoE Injector. It provides 55Vdc, 1.1A power for remote PDs over full 4 pairs output with 6KV (10/700us) surge protection. It supports both 10/100Base-T and Gigabit devices. T0006917 works for 60W PoE PDs and is compatible with the TEKTELIC Kona Gateways.</p> <p>It is compatible and safe to use with any IEEE802.3af/at compliant terminals.</p> | <p>T0006917 is designed for outdoor use. It works with input voltage of 100-240Vac and operates under -40°C to +65°C and is IP67 rated to work in the harshest deployment environments. It is suitable for working in complex power situations required for carrier grade networks which require an Outdoor-Rated POE Injector.</p> |

## Product Interfaces



|            |                               |
|------------|-------------------------------|
| 2          | AC Input Port                 |
| 3          | LAN: Data Input Port          |
| 4          | PoE: Data & Power Output Port |
| 8          | Earth Ground                  |
| 1, 5, 6, 7 | Mounting Holes                |

## Product Functional Diagram



| <b>Specifications</b>                                |   |
|--|---|
| <b>Standards</b>                                     | IEEE802.3 10Base-T Ethernet   |
|  | IEEE802.3u 100Base-Tx Fast Ethernet   |
|  | IEEE802.3ab 1000Base-T Gigabit Ethernet   |
|  | Full compliant with IEEE802.3af/at, PoE++   |
|  | RoHS & REACH Compliance   |
|  | WEEE Compliance   |
|  | Protection Level: IP67, IEC60529, NEMA 250  |
| <b>Input &amp; Output</b>                            |   |
| <b>Input</b>   | 100-240Vac 1.5A 50/60Hz   |
| <b>Output</b>  | 55Vdc 1100mA  |
| <b>Power Pins</b>                                    | 4/5(+), 7/8(-) and 3/6(+),1/2(-)  |
| <b>Data Speed</b>                                    | 10/100/1000Mbps   |
| <b>Working Environment</b>                           |   |
| <b>Operating Temperature</b>                         | -40°C to 65°C   |
| <b>Operating Humidity</b>                            | 10% to 100%, Condensing   |
| <b>Storage Temperature</b>                           | -40°C to 85°C   |
| <b>Storage Humidity</b>                              | 10% to 95%, non-condensation  |
| <b>Operating Altitude</b>                            | up to 5000 meters   |
| <b>AC Surge Protection</b>                           |   |
| <b>Common mode surge protection(10/700us)</b>        | 6KV   |
| <b>Differential mode surge protection (10/700us)</b> | 1.5K  |
| <b>PoE Surge Protection</b>                          |   |
| <b>Protected line</b>                                | 1,2,3,4,5,6,7,8   |
| <b>Common mode surge protection (10/700us)</b>       | 6KV   |
| <b>Differential mode surge protection (10/700us)</b> | 1.5KV   |
| <b>Certification Marks</b>                           | - CE<br>- FCC   |
| <b>EMI</b>   | FCC CFR47 Part 15, EN55024, EN55032   |
| <b>EMC</b>   | IEC 61000-4-2(ESD) ± 6kV(contact), ±8kV(air)<br>IEC 61000-4-3(RS) 10V/m(80MHz~2GHz) |

|                                   |  |
|-----------------------------------|--|
|                                   | IEC 61000-4-4(EFT) Power Port: ±2kV; Data Port:±1kV  |
|                                   | IEC 61000-4-5(Surge) Power Port:±1kV/DM, ±2kV/CM   |
|                                   | IEC 61000-4-6(CS) 10V(150kHz~80MHz)  |
| <b>Mechanical Robustness</b>      | IEC 60068-2-6(Vibration)   |
|                                   | IEC 60068-2-27(Impact)   |
|                                   | IEC 60068-2-32(Free Fall)  |
|                                   | IP67   |
| <b>Safety Certification</b>       | UL 62368-1 (Reference: DK-91995-UL)  |
|                                   | UL 60950-22  |
| <b>Mechanical Characteristics</b> |  |
| <b>Case</b>                       | Metal  |
| <b>Color</b>                      | White  |
| <b>Mounting</b>                   | Wall or Pole (pole mounting requires optional bracket, wall mounting requires customer supplied bolts or screws) |
| <b>IP Rated</b>                   | IP67   |
| <b>Size</b>                       | 176mm X 269mm X 65mm   |
|                                   | 1.8 kg   |

## Wire Connection

### Outdoor PoE midspan AC input port and RJ45 port installation steps:

#### 1. AC wire installation



**(1)** The AC input port is screw terminal connector, on the AC input port there is an indicator showing pin definition. The 3 pins are labelled: Ground, N (neutral) and L (line).

**(2) (3)** Strip 25mm of cable jacket and 10mm of each wire jacket. Put your power cable through the waterproof cap.

**(4) (5)** Insert wires into the correct pin ports and use a straight screw driver to fix the wires to each pin.

**(5)** Slide the waterproof gland over the AC input port pins and hand tighten to the housing. Hand tighten the waterproof nut to the cable.

## 2. RJ45 Port net cable installation



The T0006917 Injector does not come with an included ethernet cable. A Cat5e or Cat6 cable rated for 60 watt power transfer is recommend.

There are two RJ45 ports: LAN and POE, the two ports have the same connection instructions; Put the cable with RJ45 jacket through the waterproof suit. You can also add the waterproof suit to cable first then add the RJ45 jacket, then tighten them to the injector RJ45 socket.

**Outdoor Pole Mounting Kit (Optional)**

**Product Number**

**T0006918**

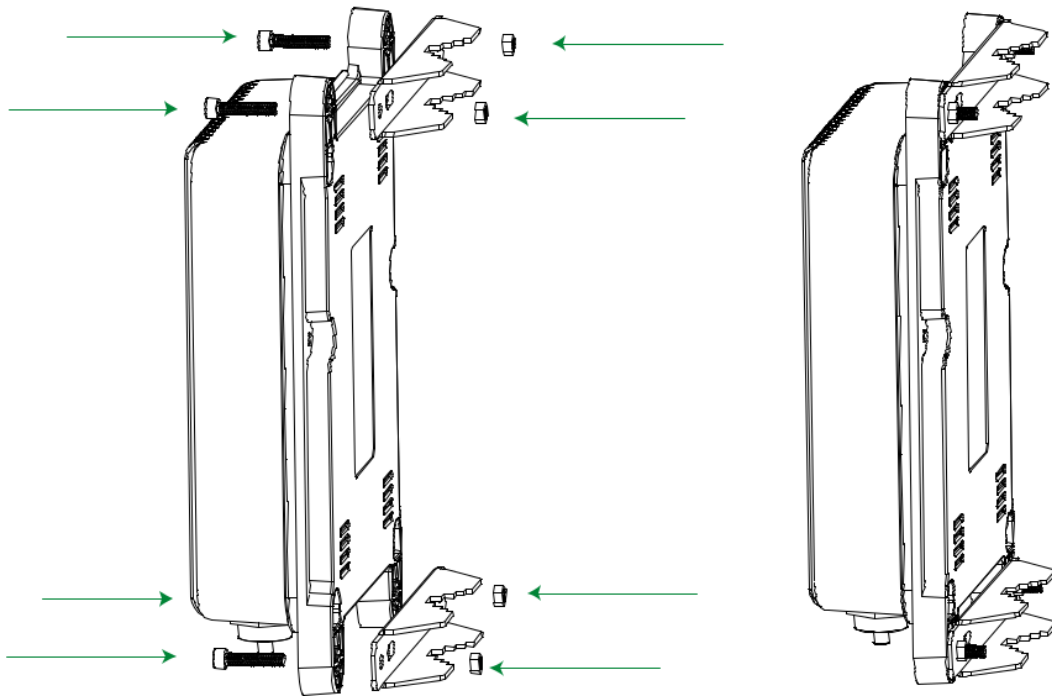


**Product Overview**

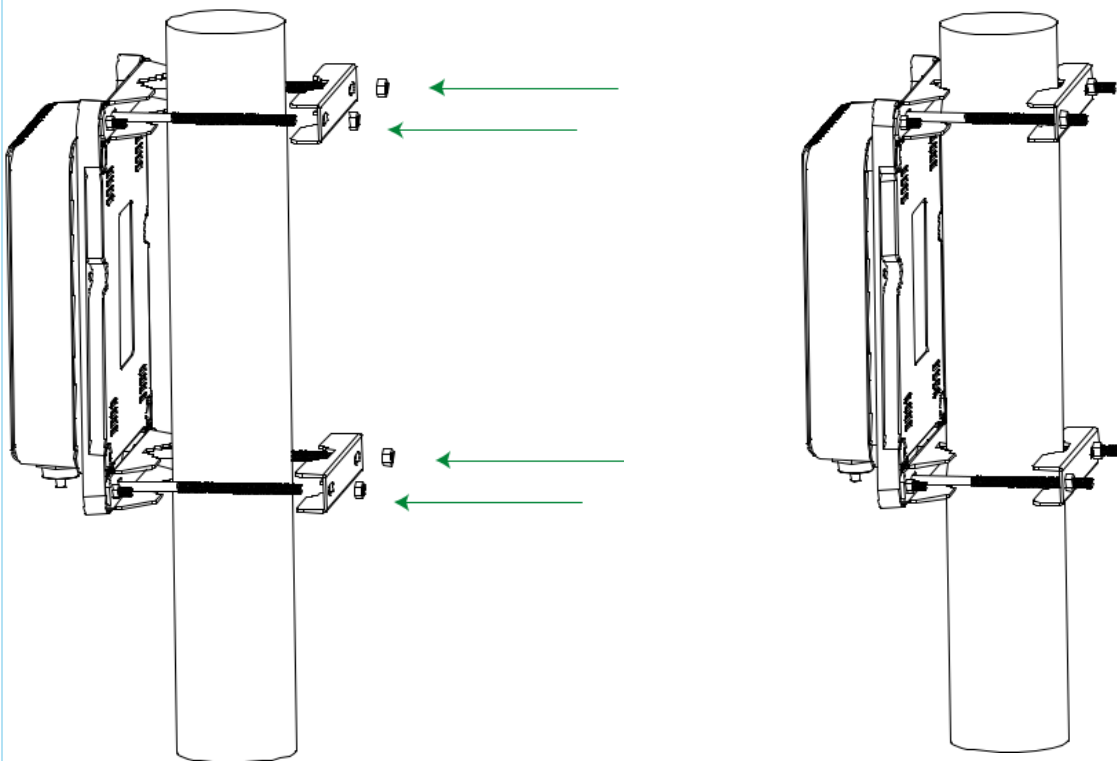
The T0006917 Outdoor PoE Injector has an optional pole mounting option that is easy to deploy.

Mounting kit components are made from high quality 304 stainless steel. The bracket components also have a painted finish (white, gloss, anti-corrosion).

## Pole Mounting Instructions



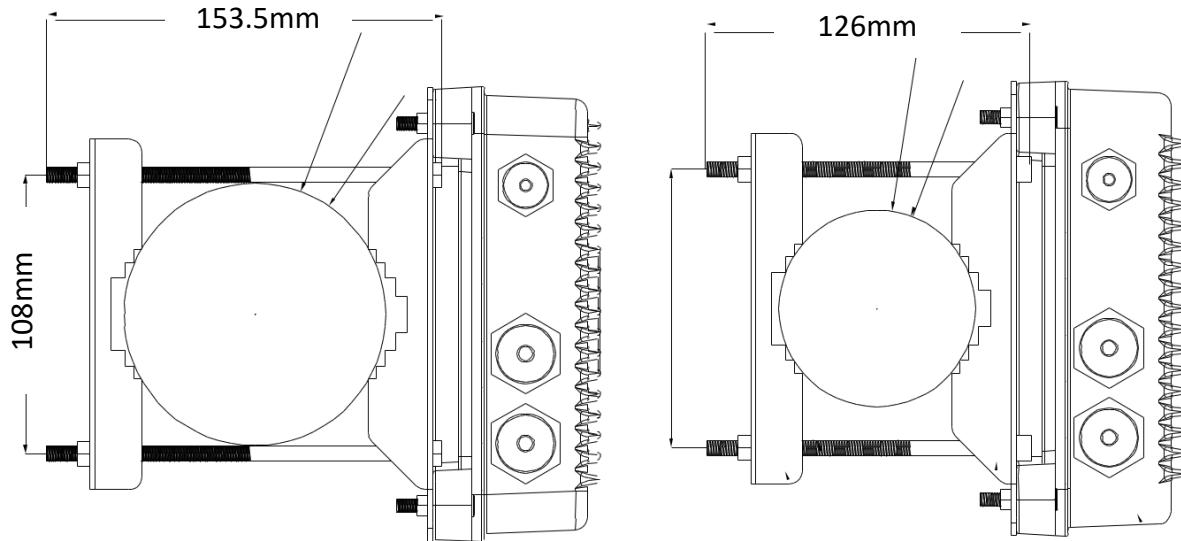
Use the supplied four (4) M5×25 bolts and M5 nuts to mount the 2 large brackets to the product as shown.



Attach the module to a pole (3" to 4" diameter) using the supplied bolts, nuts and small brackets as shown.



Supported pole diameter range: 76.2mm (3 inch) to 101.6mm (4 inch)



### Pole mounting kit contents



\*\*Pole Mounting Kit is optional and to be ordered separately