

OV20880-4C 20MP product brief



20-Megapixel Second-Generation 1.0-Micron PureCel®Plus-S Sensor for Front-Facing Cameras



available in
a lead-free
package

OmniVision's OV20880-4C is an ultra-compact image sensor engineered to bring 20-megapixel resolution to produce "super selfies" for high-end mobile applications using OmniVision's second-generation, 1.0-micron PureCel®Plus-S pixel technology. The OV20880-4C's on-chip pixel binning feature allows four times more light photons than a regular 1.0-micron pixel, enabling high-sensitivity and clear images in all lighting environments. The OV20880-4C pairs with OmniVision's complete software solution for resolution recovery and high-resolution, 20-megapixel selfies combined with a 4-cell mode.

The OV20880-4C offers a full 20-megapixel 4-cell RAW output mode and a 5-megapixel Bayer output mode that uses in-pixel binning to achieve 2.0-micron pixel performance. The OV20880-4C captures full-resolution 20-megapixel images and video at 30 frames per second (fps) and 1080p full high definition (HD) video at 120 fps. The OV20880-4C offers both MIPI D-PHY and C-PHY interfaces.

The OV20880-4C can fit in a package size of 8.5 x 8.5 mm with a z-height of 5.0 mm.

Find out more at www.ovt.com.



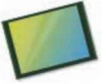
Applications

- Smartphones
- Video Conferencing
- PC Multimedia

Product Features

- automatic black level calibration (ABLC)
- programmable controls for:
 - frame rate
 - mirror and flip
 - cropping
 - windowing
- support for dynamic DPC
- supports output formats:
 - 10-bit RAW RGB
 - DPCM 10-8 compression
- supports horizontal and vertical subsampling
- 20-megapixel resolution, 5184 x 3888, 4-cell color filter, 30 fps
- 5-megapixel resolution, 2592 x 1944, output Bayer pattern after quadra binned, 120 fps
- two on-chip phase lock loops (PLLs)
- standard serial SCCB interface with speed up to 1 MHz (when clock input is >10 MHz)
- up to 4-lane MIPI TX interface with speed up to 1.92 Gbps/lane
- programmable I/O drive capability
- embedded 20 kbits of one-time programmable (OTP) memory with 12 kbits reserved for customer use
- gyro interface with 4-wire SPI and EIS support
- long exposure time of up to 30 seconds
- built-in temperature sensor
- typical module size: 8.5 x 8.5 x 5.3 mm

OV20880-4C



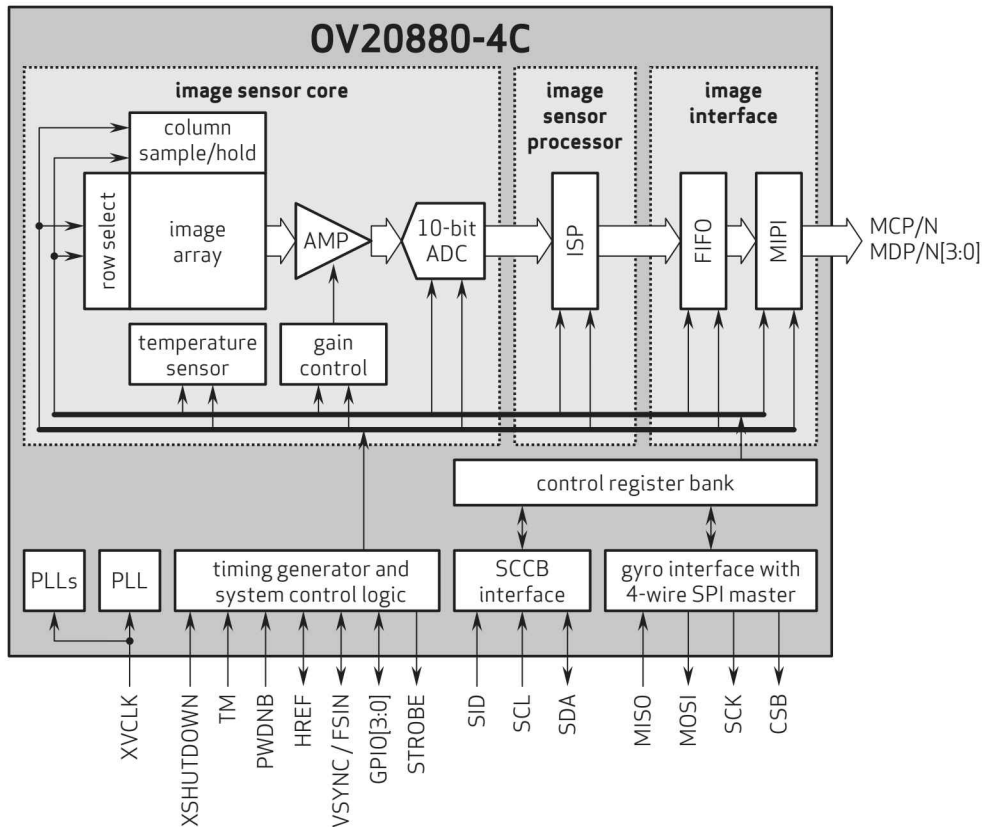
Ordering Information

- OV20880-GA5A-4C**
(color, chip probing, 150 μm backgrinding, reconstructed wafer with good die)

Technical Specifications

- active array size:** 5184 x 3888
- maximum image transfer rate:**
 - 5184 x 3888: 30 fps
 - 2592 x 1944: 120 fps
 - 1920 x 1080: 180 fps
 - 1280 x 720: 180 fps
- power supply:**
 - core: 1.05V
 - analog: 2.8V
 - I/O: 1.8V
- power requirements:**
 - active: 349 mW
 - standby: 10 mW
 - XSHUTDOWN: 5 μA
- temperature range:**
 - operating: -30°C to +85°C junction temperature
 - stable image: 0°C to +60°C junction temperature
- output formats:** 10-bit RGB RAW, DPCM 10-8 compression
- lens chief ray angle:** 34.86° non-linear
- lens size:** 1/2.76"
- scan mode:** progressive
- pixel size:** 1.0 μm x 1.0 μm
- image area:** 5257.73 μm x 3951.36 μm

Functional Block Diagram



4275 Burton Drive
Santa Clara, CA 95054
USA

Tel: + 1 408 567 3000
Fax: + 1 408 567 3001
www.ovt.com

OmniVision reserves the right to make changes to their products or to discontinue any product or service without further notice. OmniVision, the OmniVision logo and PureCel are registered trademarks of OmniVision Technologies, Inc. All other trademarks are the property of their respective owners.



OmniVision