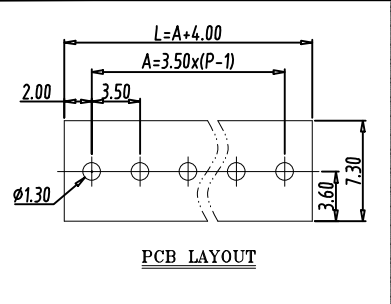
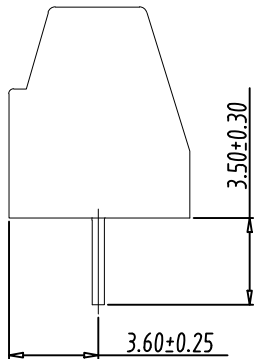
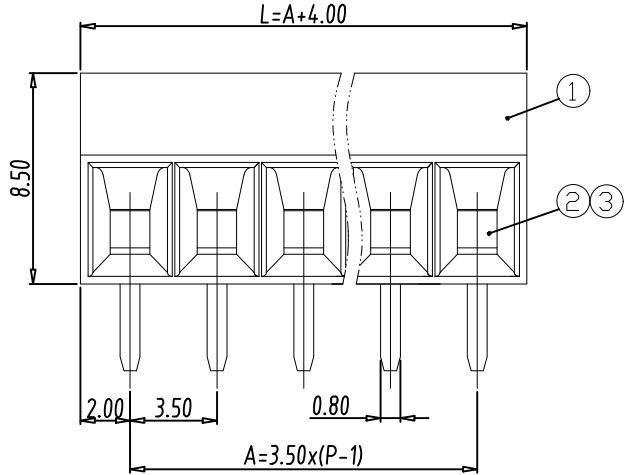
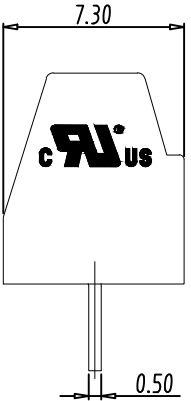
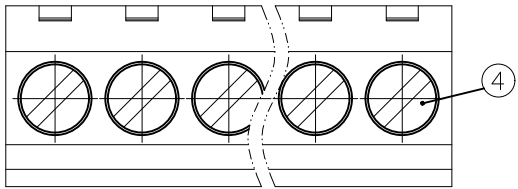


Transfer or duplication of this document as well as the utilisation or communication of its content are not permitted unless express consent is granted. Violations give rise to claims for damages. All rights reserved in case of patent, utility model or design patent registrations.



Technical Data:
 Electrical
 Pitch: 3.50mm
 Voltage rating: 300V
 Current rating: 10 Amps
 Contact resistance: 5mΩ(max)
 Withstanding Voltage: 1600VAC(1min) Test time=60sec/1pcs
 Wire range: 16-26AWG
 Wire strip length: 5-6mm
 Mechanical:
 Torque: 0.25N×m
 Operating temperature: -40°C to +105°C
 Soldering temperature:
 Temperature= 250°C±10°C /5 seconds max
 Safety approval:
 RoHS Compliance



Part No.: **OSTYOXX0150**

No. of Poles	COLOR
02 2 Poles	0: Black
03 3 Poles	2: Red
...	3: Orange
24 24 Poles	4: Yellow
	5: Green (Standard)
	6: Blue
	8: Grey

Nonstandard colors
Mins could apply

4	Screw	Steel / M2.0	Zn plated	1xN		
3	Contact	Copper Alloy	Ni plated	1xN		
2	Terminal	Copper Alloy	Tin plated	1xN		
1	Body	PA66 UL94V-0		1		
ITEM	NAME OF PART	MATERIAL	NOTES		Q'TY	
DWG.	ZHT	DATE	202103.08	UNITS: MM	SHEET: 1 OF 1	Tolerance
CHK.	ARW	DATE	202103.08	SCALE: NONE 5:1 (:)	REV.: A	X. ±0.50
APP.	BMT	DATE	202103.08	TITLE:	OSTYO SERIES 3.50MM SOLID BLOCK	X.XX ±0.30
				PART NO.	OSTYOXX0150	X° ±1°
				DWG NO.	OSTYOXX0150.DWG	

REV		SIGN	DESCRIPTION	CHK.	DATE
-----	--	------	-------------	------	------



ON-SHORE TECHNOLOGY, INC.