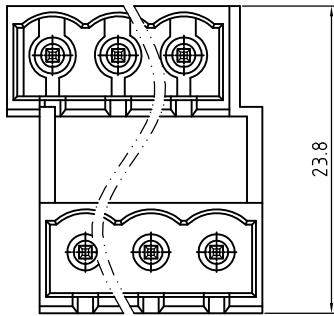
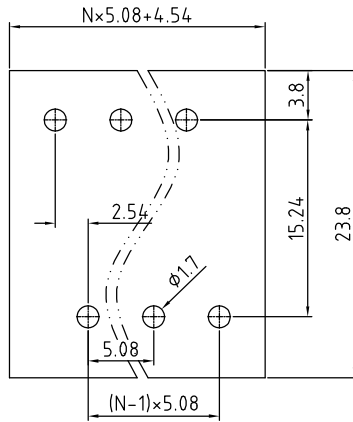
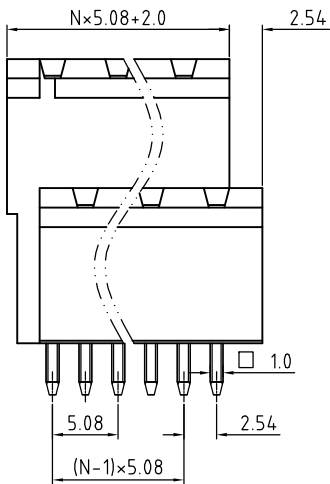


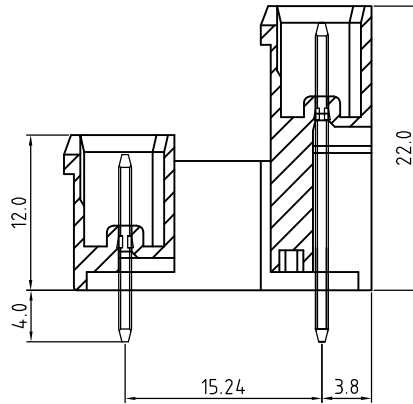
Transfer or duplication of this document as well as the utilisation or communication of its content are not permitted unless express consent is granted. Violations give rise to claims for damages. All rights reserved in case of patent, utility model or design patent registrations.



N=Number of contacts



PCB LAYOUT



Technical Data:

Electrical

Pitch: 5.08mm

Voltage rating: 300V

Current rating: 16 Amps

Withstanding Voltage: 2500VAC(1min)

Mechanical:

Operating temperature: -40°C to +105°C

Soldering temperature

Temperature= 250°C±10°C /5 seconds max

Safety approval:

RoHS Compliance

Part No.:

OSTVFXX5150

No. of Poles

02 2 Poles

03 3 Poles

... ..

24 24 Poles

Nonstandard colors
Mins could apply

COLOR

0: Black

2: Red

3: Orange

4: Yellow

5: Green (Standard)

6: Blue

8: Grey

4	short Pin	Copper Alloy	Tin plated	1xN	
3	Long Pin	Copper Alloy	Tin plated	1xN	
2	Cover	PA66-30%GF UL94V		1	
1	Body	PA66-30%GF UL94V		1	
ITEM	NAME OF PART	MATERIAL	NOTES	Q"TY	
DWG.	DATE	UNITS:	MM	SHEET: 1 OF 1	Tolerance
CHK.	DATE	SCALE:	NONE 2.5:1 (:)	REV.: A	X. ±0.50
APP.	DATE	TITLE:	OSTVF SERIES 5.08MM		X.XX ±0.30
			CLOSED VERTICAL		X° ±0.10
			PART NO. OSTVFXX5150		X° ±1°
			DWG NO. OSTVFXX5150.DWG		

REV	△	SIGN	DESCRIPTION	CHK.	DATE



ON-SHORE TECHNOLOGY, INC.