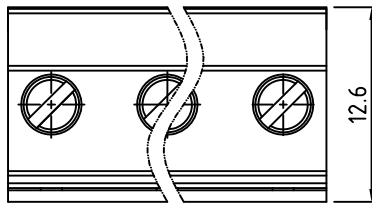
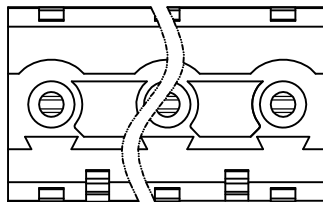
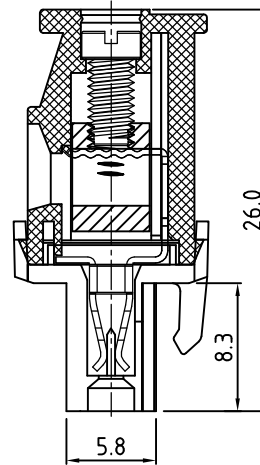
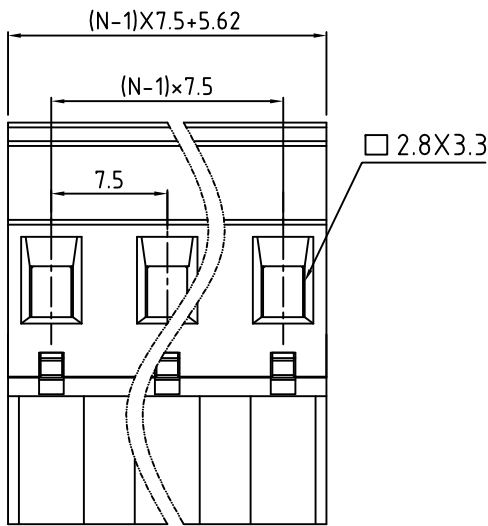


Transfer or duplication of this document as well as the utilisation or communication of its content are not permitted unless express consent is granted. Violations give rise to claims for damages. All rights reserved in case of patent, utility model or design patent registrations.



N=Number of contacts



**Technical Data:**

**Electrical**

Pitch: 7.5mm

Voltage rating: 300V

Current rating: 16 Amps

Contact resistance: 20mΩ(max)

Withstanding Voltage: 2500VAC(1min) Test time=60sec/1pcs

Wire range: 12-26AWG

Wire strip length: 6-7mm

**Mechanical:**

Torque: 5.0kgf.cm/M3

Operating temperature: -40°C to +105°C

Safety approval:

RoHS Compliance

Part No.:

**OSTTSXXA15B**

No. of Poles  
02 2 Poles  
03 3 Poles  
... ..  
24 24 Poles

COLOR  
0: Black  
2: Red  
3: Orange  
4: Yellow  
5: Green (Standard)  
6: Blue  
8: Grey

Nonstandard colors  
Mins could apply

| 5    | Screw        | Steel / M3.0              | Cr3+ plated   | 1xN        |
|------|--------------|---------------------------|---------------|------------|
| 4    | Contact      | Copper Alloy              | Ni plated     | 1xN        |
| 3    | Wire guard   | Copper Alloy              | Tin plated    | 1xN        |
| 2    | Cover        | PA66 UL94V-0              |               | 1          |
| 1    | Body         | PA66 UL94V-0              |               | 1          |
| ITEM | NAME OF PART | MATERIAL                  | NOTES         | Q'TY       |
| DWG. | DATE         | UNITS: MM                 | SHEET: 1 OF 1 | Tolerance  |
| CHK. | DATE         | SCALE: NONE 3:1 ( : )     | REV.: A       | X. ±0.50   |
| APP. | DATE         | TITLE: OSTTS SERIES 7.5MM |               | X.X ±0.30  |
|      |              | HOOK ON BACK SIDE         |               | X.XX ±0.10 |
|      |              | PART NO. OSTTSXXA15B      |               | X° ±1°     |
|      |              | DWG NO. OSTTSXXA15B.DWG   |               |            |

| REV | SIGN | DESCRIPTION | CHK. | DATE |
|-----|------|-------------|------|------|
|     |      |             |      |      |



ON-SHORE TECHNOLOGY, INC.