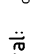


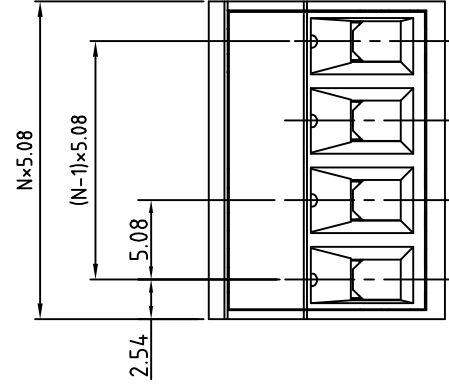
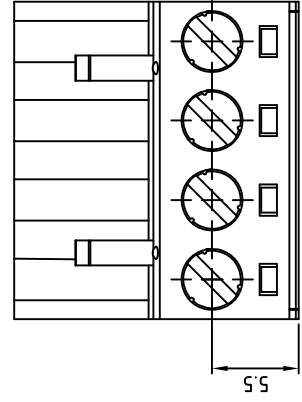
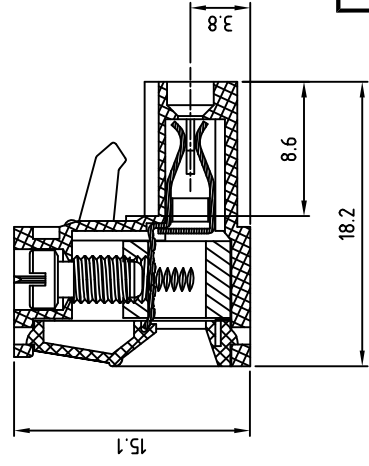
1	2	3	4	5	6	7
SIGN DATE		DESCRIPTION		APPROVER		
△		2012.11.12 Updated agency approval data		Janny		
THIS IS CAD DRAWING, DO NOT REVISE MANUALLY Y!!!						

- Material**
- Terminal body (metal housing): Brass(CuZn)
 - Terminal screw: Steel Zinc plating "-" slot type
 - Wire guard: PhBz , Tin plated
 - Insulator (housing): Thermoplastic (UL94V-0)

- Electrical** cULus / VDE / TUV
- Voltage rating: 300V/300V/300V
 - Current rating: 20A/20A/20A
 - Wire range: 2.5mm²/ 0.34-2.5mm²
 - Solid wire(AWG): 12-24
 - Stranded wire(AWG): 12-24
 - Torque: 5Lb-In/0.5N.m/0.56N.m
 - Screw: M3
 - Wire strip length: 7-8mm
 - Withstanding Voltage: 1.6KV/2.5KV/2.5KV
 - Operating temperature: -30°C to +105°C

Safety Approval:   

Use with OST0Q 1.0x1.0mm square pin. Withdrawal force: 200-500gf/pole



N=Number of poles

PART NUMBER:

OSTTJXX5153

No. of Poles	COLOR
02 2 Poles	0: Black
03 3 Poles	5: Green (Standard)
... ..	6: Blue
24 24 Poles	8: Grey

OST ON-SHORE TECHNOLOGY, INC.			
OSTTJ - 5.08mm Series			
TITLE	OSTTJ - 5.08mm Series	DWG NO.	OSTTJXX5153.DWG
PART NO.	OSTTJXX5153	CUST NO.	
APPROVED	Shi Jun 2006.10.23	DESIGNED	Marvin 2006.10.23
CHECKED	Marvin 2006.10.23	DRAWN	Marvin 2006.10.23
SHEET: 01/01		UNIT:	mm
SCALE: NONE		Tolerance	X. ±0.50
REV.: E		X.X ±0.30	
		X.XX ±0.10	
		X° ±1°	

THESE DRAWINGS AND SPECIFICATIONS ARE THE PROPERTY OF ON-SHORE TECHNOLOGY, INC. AND SHALL NOT BE REPRODUCED, COPIED OR USED IN ANY MANNER WITHOUT THE PRIOR WRITTEN CONSENT OF ON-SHORE TECHNOLOGY, INC.