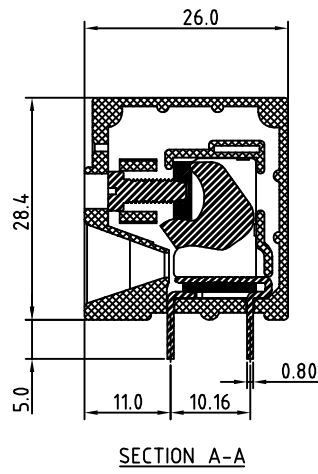
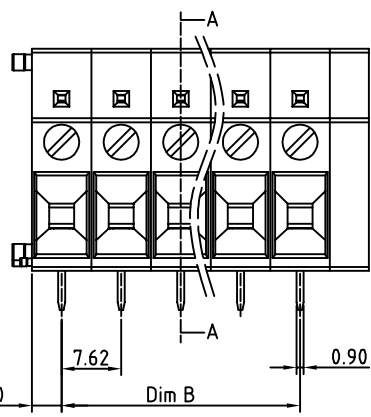
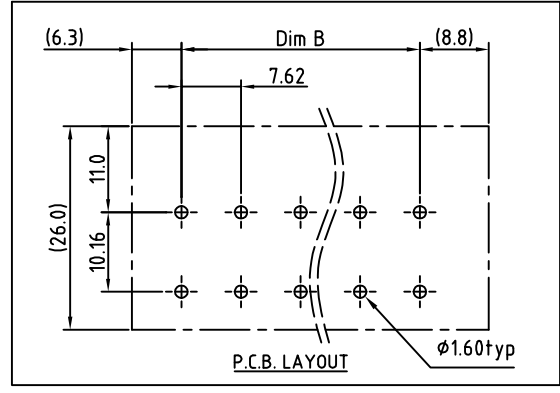
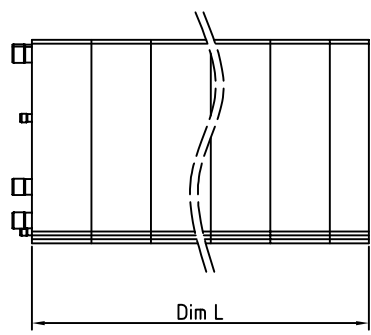


SIGN	DATE	DESCRIPTION	APPROVER
THIS IS CAD DRAWING, DO NOT REVISE MANUALLY!!!			



- Material**
- Insulating body: Thermoplastic (UL94V-0)
 - Insulating cover: Thermoplastic (UL94V-0)
 - Terminal screw: Steel Zinc plating "-" slot type
 - Clampcage: Steel/steel Zinc plated
 - Terminal body: Steel, Zinc plating
 - Solder pin: Brass, Tin plated

- Electrical**
- Voltage rating: 300VAC
 - Current rating: 30A
 - Wire range:
 - Solid wire (AWG) : 10-24
 - Stranded wire (AWG) : 10-24
 - Torque (Lb-In) : 4.3
 - Screw: M3
 - Wire strip length: 15-16mm
 - Withstanding Voltage: 1.6KV
 - Operating temperature: -40°C to +115°C
 - Soldering temperature: 250°C±10°C/5 Sec
 - Safety approval: US

RoHS Compliant
 PART NUMBER:
OSTKHXX1551

No. of Poles	COLOR
02 2 Poles	0: Black
03 3 Poles	5: Green (Standard)
...	6: Blue
16 16 Poles	8: Grey

Poles	01	02	03	04	05	06	07	08
Dim L	12.62	20.24	27.86	35.48	43.10	50.72	58.34	65.96
Dim B		7.62	15.24	22.86	30.48	38.10	45.72	53.34
TOL	±0.15				±0.20			
Poles	09	10	11	12	13	14	15	16
Dim L	73.58	81.20	88.82	96.44	104.06	111.68	119.30	126.92
Dim B	60.96	68.58	76.20	83.82	91.44	99.06	106.68	114.30
TOL	±0.25				±0.30			

THESE DRAWINGS AND SPECIFICATIONS ARE THE PROPERTY OF ON-SHORE TECHNOLOGY, INC. AND SHALL NOT BE REPRODUCED, COPIED OR USED IN ANY MANNER WITHOUT THE PRIOR WRITTEN CONSENT OF ON-SHORE TECHNOLOGY, INC.

ON-SHORE TECHNOLOGY, INC.

TITLE		OSTKH 7.62 Series 180D Wire inlet					
PART NO.		OSTKHXX1551		DWG NO.		OSTKHXX1551.DWG	
APPROVED	CHECKED	DESIGNED	DRAWN	CUST NO.		Tolerance	
		Aaron 2007.12.04	Aaron 2007.12.04			UNIT: mm	X. ±0.50
						SCALE: NONE	X.X ±0.30
						SHEET: 01/01	X.XX ±0.10
						REV: A1	X° ±1°