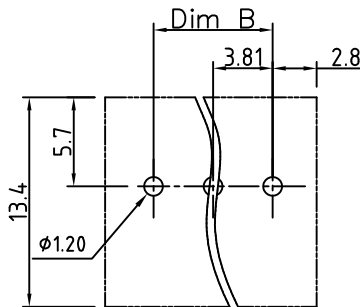
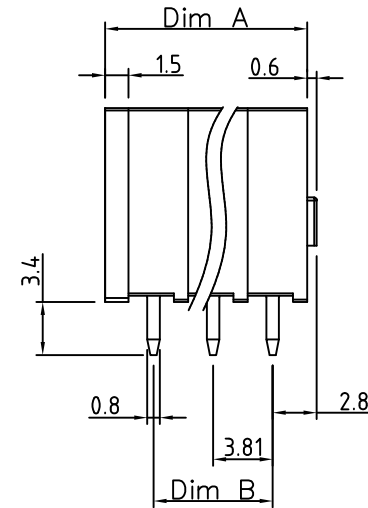
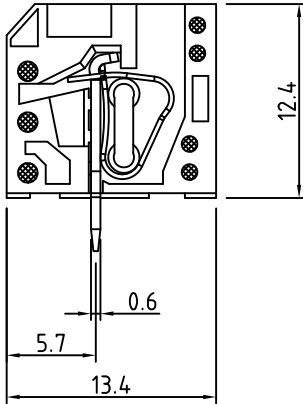
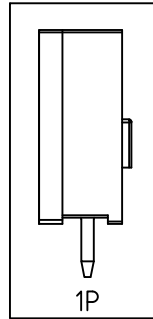
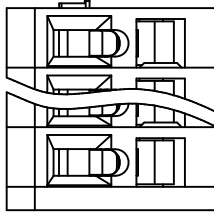


THESE DRAWINGS AND SPECIFICATIONS ARE THE PROPERTY OF ON-SHORE TECHNOLOGY, INC. AND SHALL NOT BE REPRODUCED, COPIED OR USED IN ANY MANNER WITHOUT THE PRIOR WRITTEN CONSENT OF ON-SHORE TECHNOLOGY, INC.



N=Number of contacts
 Dim A=Nx3.81+1.5
 Dim B=(N-1)x3.81

Poles Dim	1P	2~6P	7~12P	13~18P	19~24P
Dim A	±0.15	±0.15	±0.20	±0.30	±0.40
Dim B		±0.15	±0.20	±0.25	±0.30

P.C.B LAYOUT
 Top view

SIGN	DATE	DESCRIPTION	APPROVER
		<i>THIS IS CAD DRAWING, DO NOT REVISE MANUALLY!!!</i>	

Material:

- Insulator(Cover): Thermoplastic (UL94V-0)
- Insulator(housing): Thermoplastic (UL94V-0)
- Spring clamp: Stainless steel
- Terminal Body(contact pin): Brass. Bright Tin Over Nickel plated

Electrical:

- | | |
|--------------------------|-----------------|
| | cULus |
| ● Voltage rating: | 300V |
| ● Current rating: | 8A |
| ● Wire range: | |
| Solid wire(AWG): | 14~28 |
| Stranded wire(AWG): | 14~28 |
| ● Wire strip length: | 5~6mm |
| ● Withstanding Voltage: | 1.6KV |
| ● Operating temperature: | -40°C to +115°C |
| ● Soldering temperature: | 260°C±5°C/5 Sec |
| ● Safety Approval: | us |
| ● RoHS Compliant | |

PART NUMBER:

OSTHMX3080

No. of Poles
 01: 1 Poles
 :
 :
 24: 24 Poles

COLOR

- 0: Black
- 2: Red
- 3: Orange
- 5: Green
- 6: Blue
- 8: Grey (STD)
- 9: White
- C: Multiple Colors



TITLE		OSTHM 3.81mm Series Dip solder Type			
PART NO.	OSTHMX3080	DWG NO.	OSTHMX3080.DWG		
APPROVED	CHECKED	DESIGNED	DRAWN	CUST NO.	
		Airy Min 2015.01.26	Airy Min 2015.01.26		Tolerance X. ±0.50 X.X ±0.30 X.XX ±0.10 X° ±1°
				SHEET: 01/01	UNIT: mm SCALE: NONE REV: D