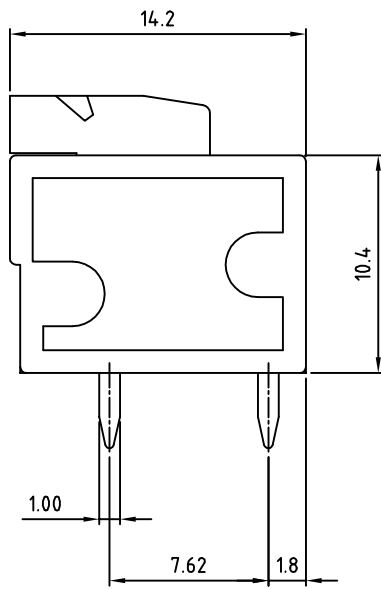
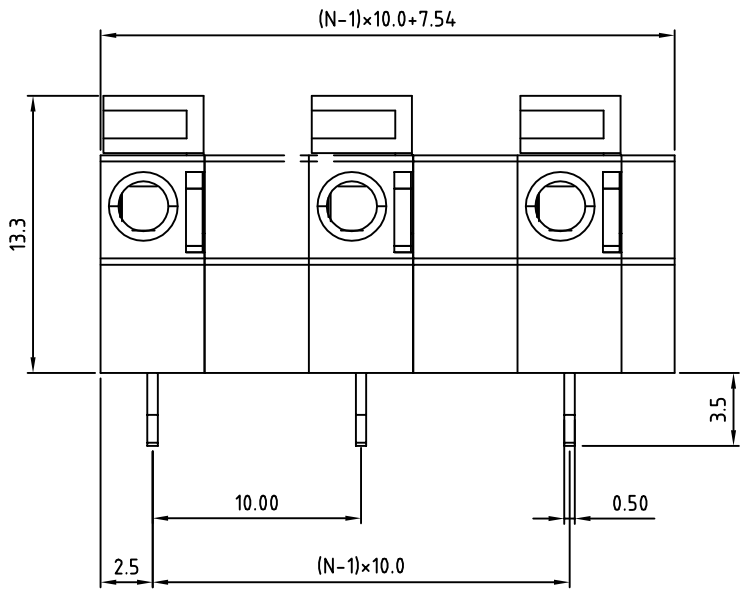




SIGN	DATE	DESCRIPTION	APPROVER
THIS IS CAD DRAWING, DO NOT REVISE MANUALLY!!!			



- Material**
- Terminal body (Contact pin): Brass
 - Wire guard: Stainless steel
 - Surface of solder tail: Tin plated
 - Insulator (housing): Thermoplastic (UL94V-0)
- Electrical cULus/VDE**
- Voltage rating: 300VAC/450VAC
 - Current rating: 10A/10A
 - Wire range: 0.75-1.5mm²
Solid wire(AWG): 14-24
Stranded wire(AWG): 14-24
 - Wire strip length: 6-7mm
 - Withstanding Voltage: 1.6KV/2.5KV
 - Operating temperature: -30°C to +105°C
 - Soldering temperature: 250°C±10°C/5 Sec
 - Safety Approval:  

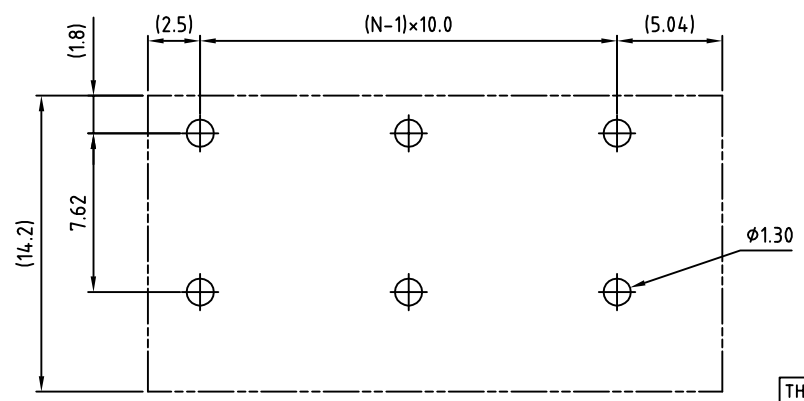
RoHS Compliant

N=Number of contacts

PART NUMBER:

OSTHAXX4150

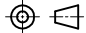
- | | |
|--------------|---------------------|
| No. of Poles | COLOR |
| 02: 2 Poles | 0: Black |
| 03: 3 Poles | 2: Red |
| | 5: Green (Standard) |
| 12: 12 Poles | 8: Grey |
| | C: Multiple Colors |



P.C.B. LAYOUT

THESE DRAWINGS AND SPECIFICATIONS ARE THE PROPERTY OF ON-SHORE TECHNOLOGY, INC. AND SHALL NOT BE REPRODUCED, COPIED OR USED IN ANY MANNER WITHOUT THE PRIOR WRITTEN CONSENT OF ON-SHORE TECHNOLOGY, INC.



TITLE		OSTHA-10.0mm series horizontal (180° wire inlet), 2p-12p				
PART NO.	OSTHAXX4150	DWG NO.		OSTHAXX4150.DWG		
APPROVED	CHECKED	DESIGNED	DRAWN	CUST NO.		
Shi Jun 2006.11.01	Marvin 2006.11.01	Steady 2006.10.11	Steady 2006.10.11			
					UNIT: mm	Tolerance
					SHEET: 01/01	SCALE: NONE
				REV: C		