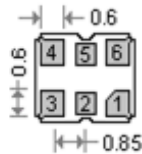
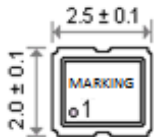


● SPECIFICATION

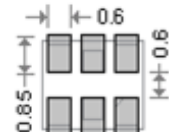
Model	OSCLP-S22 Series		
Power supply voltage	1.8V DC $\pm 5\%$	2.5V DC $\pm 5\%$	3.3V DC $\pm 10\%$
Output level	LVPECL		
Frequency range	13.500 ~ 220.000 MHz		
Storage temperature range	- 55°C ~ + 125°C		
Operation temperature range	- 10°C ~ + 70°C , - 40°C ~ + 85°C , - 40°C ~ + 125°C		
Frequency stability	± 25 ppm ~ ± 100 ppm		
Current consumption	50mA max		
Output Load	50 Ω		
Output voltage level (V _{OH})	V _{CC} - 1.025V min.		
Output voltage level (V _{OL})	V _{CC} - 1.62V max.		
Start-up Time	10 m sec. max.		
Duty cycle	45% ~ 55%		
Enable input voltage (V _{IH})	1.750V min.	2.310V min.	
Disable input voltage (V _{IL})	0.750V max.	0.990V max.	
RISE / FALL TIME (20% / 80%)	1.0nS max.		
Phase Jitter RMS (12KHz~20KHz)	1ps max.		
AGING	± 3 ppm / Year		

● DIMENSIONS (mm)



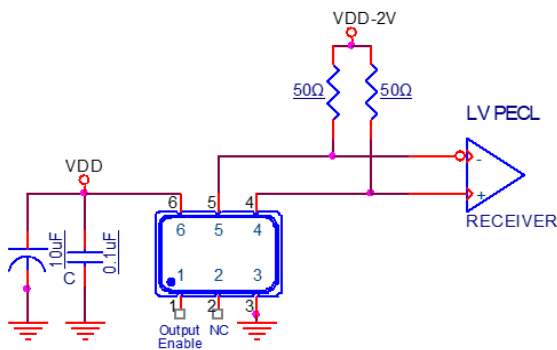
Pad Connections :

Pad 1 : OE
 Pad 2 : No Connection
 Pad 3 : Ground
 Pad 4 : Output
 Pad 5 : Complementary
 Pad 6 : Supply Voltage



Recommended Land Pattern

● TEST CIRCUIT



● OUTPUT WAVEFORM

