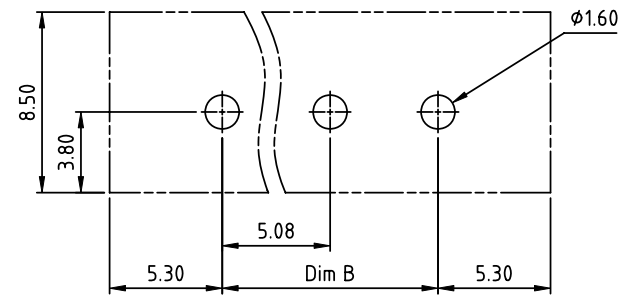
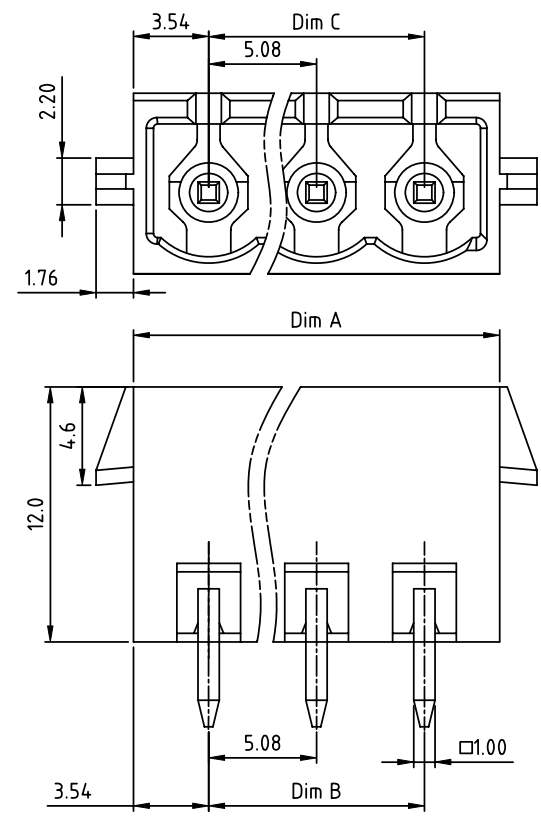


PRODUCT NUMBER	PITCH
OQxx54x003J0G	5.08 mm



RECOMMENDED P.C.B LAYOUT
TOP VIEW

Material:

- Item ① Male contact pin: Copper Tin plated
- Item ② Terminal housing: Thermoplastic (UL94V-0)

- Electrical: cULus /VDE /TUV
- Voltage rating: 300V/300V/300V
 - Current rating: 20A/20A/20A
 - Withstanding Voltage: 1.6 KV/2.5KV/2.5KV
 - Operating temperature: -40°C to +115°C
 - Soldering temperature: 260°C±5°C/5 Sec
 - Safety Approval:

DIMENSION

Dim A	$N \times 5.08 + 2.0$
Dim B & C	$(N-1) \times 5.08$

N = Number of poles

Poles	Tolerance
2-6p	±0.15
7-12p	±0.20
13-18p	±0.30
19-24p	±0.40

PART NO.: OQ xx 5 4 x 0 03J0 G

No. of poles	0	Body Color	RoHS compliant
02 2 poles	2	Black (RAL9005)	(lead<4%)
03 3 poles	3	Red (RAL3001/D)	In copper Alloy
...	4	Orange(RAL2011/P)	
24 24 poles	5	Yellow(RAL1018/A)	
	6	Green(RAL6018/T)	
	8	Blue (RAL5015/A)	
	9	Grey(RAL7035/D)	
	9	White(RAL1102)	
	C	Green(RAL6018/U)	

mat'l. code	surface ASME Y14.5	tolerance ASME Y14.5	projection	product family TERMINAL BLOCK
ltr	ecn no	dr	date	title
				TERMINAL BLOCK
				PLUGGABLE SOCKET, WITH LATCH, VERTICAL
				sheet 1 of 1 size
				OQxx54x003J0G A4
				type CUSTOMER Drawing
sheet index	revision sheet	A	1	