

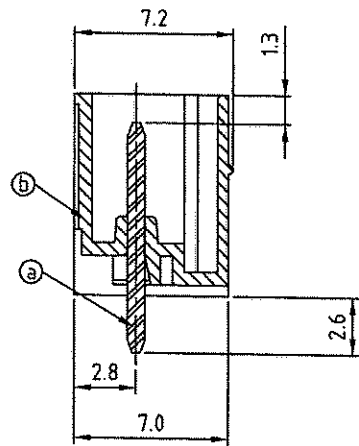
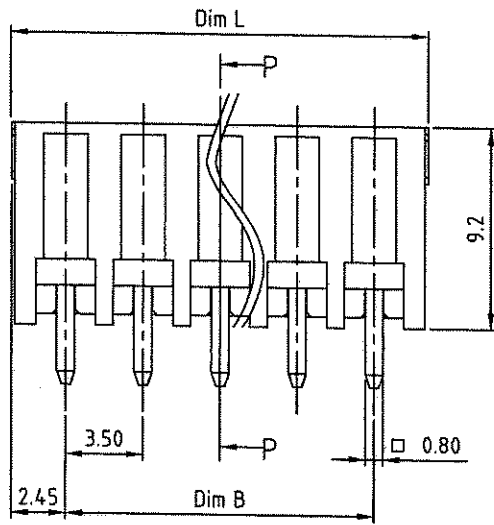
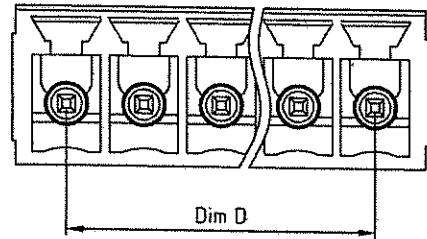
SIGN	DATE	DESCRIPTION	APPROVER
△			

THIS IS CAD DRAWING, DO NOT REVISE MANUALLY!!!

N=Number of poles

Dim L	(N-1)×3.50+4.9
Dim B	(N-1)×3.50
Dim D	(N-1)×3.50

Poles	Dim B & Dim D	Dim L
2p	±0.10	±0.15
3p-6p	±0.15	±0.15
7p-12p	±0.20	±0.20
13p-16p	±0.30	±0.30



SECTION P-P

Material:

- Item (a) Male contact pin: Copper, Bright Tin plated over Nickel plated
- Item (b) Terminalhousing: LCP (UL94V-0)

Electrical:

- Voltage rating: 300V
- Current rating: 10A
- Withstanding Voltage: 1.6 KV
- Operating temperature: -45°C to +130°C
- Reflow soldering temperature: 260°C/10 Sec max
- Safety Approval: us

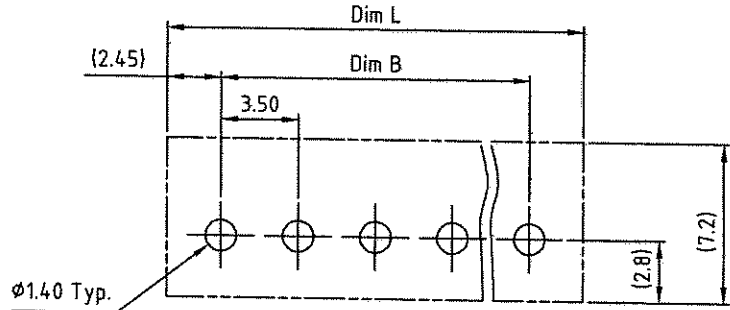


0Q xx 1 G x 0 xxxx G

No. OF POLES
02: 2 POLES
03: 3 POLES
:
16: 16 POLES

0 Black (RAL9005)

G RoHS compliant (lead<4%) In copper Alloy
0000: "@" Logo (Standard)
000A: "ANYTEK" Mark
Any special item by customer request. please contact sales department.



RECOMMENDED PCB LAYOUT
TOP VIEW

Amphenol ANYTEK				CUSTOMER COPY			
ALL RIGHTS RESERVED. REPRODUCTION OR ISSUE TO THIRD PARTIES IN ANY FORM WHATSOEVER IS NOT PERMITTED WITHOUT WRITTEN AUTHORITY FROM THE PROPRIETOR. PROPERTY OF ANYTEK TECHNOLOGY CO., LTD.							
TITLE	0Q 3.50mm 180° Series 2P-16P Close THR						
PART NO.	0Qxx1Gx0xxxxG			DWG NO.	80Q0C25		
APPROVED	CHECKED	DESIGNED	DRAWN	CUST NO.	Tolerance		
		CHENMING	CHENMING		UNIT: mm	X	±0.50
		10/22-16	10/22-16		SCALE: NONE	X.X	±0.30
					REV: B	X.XX	±0.10
SHEET: 01/01						X°	±1°