

1.77"W x 2.56"L x 0.94"H

- Universal 90-264VAC Input
- High Efficiency
- Regulated Outputs
- 3000VAC Isolation
- Single and Dual Outputs



| Model Number         | Output Voltage | Output Amps(max) | (pk)     |
|----------------------|----------------|------------------|----------|
| <b>SINGLE OUTPUT</b> |                |                  |          |
| OFM-0100             | 3.3 VDC        | 2.5A             | 3.3A     |
| OFM-0101             | 5 VDC          | 2A               | 2.6A     |
| OFM-0102             | 12 VDC         | 0.85A            | 1.2A     |
| OFM-0103             | 15VDC          | 0.67A            | 0.9A     |
| OFM-0105             | 24VDC          | 0.42A            | 0.6A     |
| <b>DUAL OUTPUT</b>   |                |                  |          |
| OFM-0106             | +/-12VDC       | +/-0.42A         | +/-0.6A  |
| OFM-0107             | +/-15VDC       | +/-0.34A         | +/-0.45A |

**INPUT SPECIFICATIONS**

|                      |                              |
|----------------------|------------------------------|
| Input Voltage Range  | 90-264 VAC (100-240VAC nom.) |
| Frequency Range      | 47-440 Hz (50-60Hz nom.)     |
| Inrush Current, typ: | 20A@100V, 40A@200V Input *   |

**OUTPUT SPECIFICATIONS**

|                          |  |
|--------------------------|--|
| Voltage and Current      | See Selection Chart  |
| Load Regulation (20%-FL) | Single: +/- 3%, Duals: +/- 3%                                    |
| Line Regulation          | Single +/- 0.1~1%, typ<br>Duals +/- 0.3~1%, typ                  |
| Cross Regulation (Duals) | 2%   |
| Preset Accuracy          | 1%   |
| DC Voltage Adjust (typ)  | +/- 6% of FS (Primary)   |
| Temperature Coefficient  | +/-0.03%/°C  |
| Ripple/Noise             | Single Output: 100mV Pk-Pk, typ<br>Dual Output: 200mV Pk-Pk, typ |
| Over Voltage Protection  | Clamp, 110-150%; 3.3V:170-200% *                                 |
| Short Circuit Protection | Continuous, self-recovering                                      |
| Hold Up Time             | 20 mS, typ   |

**GENERAL SPECIFICATIONS**

|                     |   |
|---------------------|---|
| Input-Out Isolation | 3KVAC                                       |
| Efficiency typ.     | 74% - 81% (3.3V: 67%; 5V: 71%)              |
| Switching Frequency | 100Khz, (fixed, typical)                    |
| Safety UL/cUL:      | UL60950-1 2nd ed./<br>C22.2 60950-1 2nd ed. |
| CB:                 | IEC60950-1 2nd ed.                          |

**PHYSICAL SPECIFICATIONS**

|              |                       |
|--------------|-----------------------|
| Size         | 1.77" x 2.56" x 0.94" |
| Construction | Open Frame            |
| Weight       | 1.6oz (44g)           |

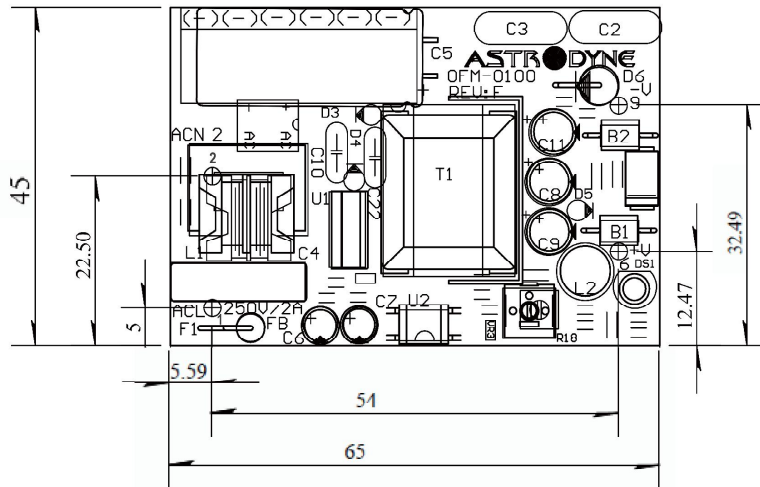
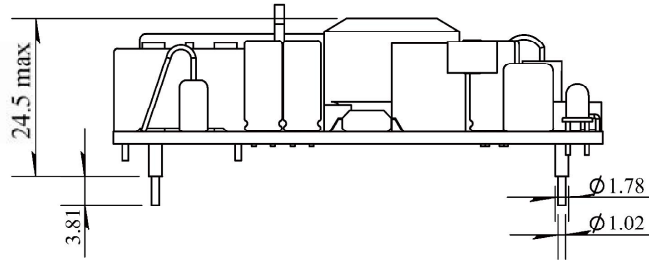
**ENVIRONMENTAL SPECIFICATIONS**

|                          |                         |
|--------------------------|-------------------------|
| Oper. Temperature        | 0 to +70°C (See Derate) |
| Storage Temperature      | -25 to +71°C *          |
| Relative Humidity        | 0 to + 95%, non-cond *  |
| EMC                      | EN55011 Class B         |
| MTBF (Mil Std 217, 25°C) | 575,000 Hrs             |

*All specifications are typical at nominal input, full load, and 25°C unless otherwise noted*

\* These are stress ratings. Exposure of the devices to any of these conditions may adversely affect long term reliability. Proper operation under conditions other than the standard operating conditions is neither warranted nor implied.

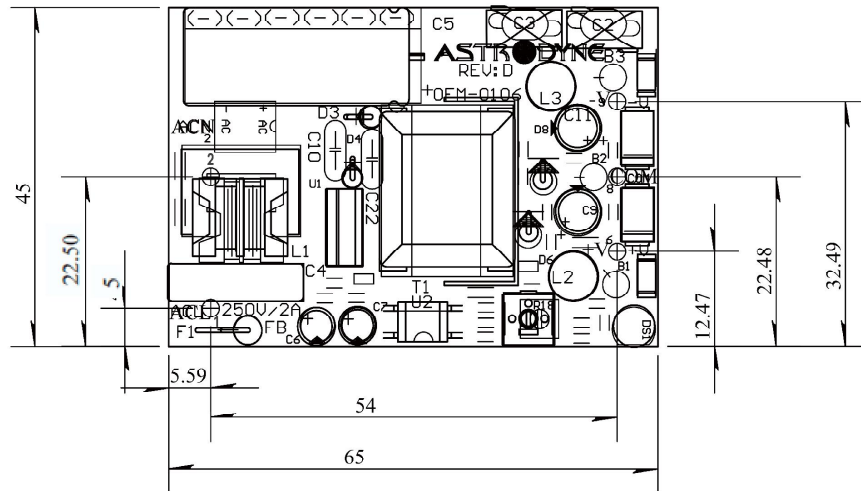
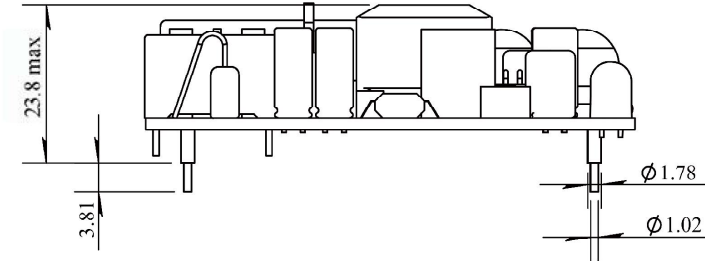
**MECHANICAL DIMENSIONS - SINGLE OUTPUT**



**Pin #      Single Outputs**

|   |            |
|---|------------|
| 1 | AC Line    |
| 2 | AC Neutral |
| 6 | + Output   |
| 8 | No Pin     |
| 9 | - Output   |

**MECHANICAL DIMENSIONS - DUAL OUTPUT**



| Pin # | Dual Outputs |
|-------|--------------|
| 1     | AC Line      |
| 2     | AC Neutral   |
| 6     | +Output      |
| 8     | Common       |
| 9     | - Output     |

**OUTPUT DERATING CURVE**

