

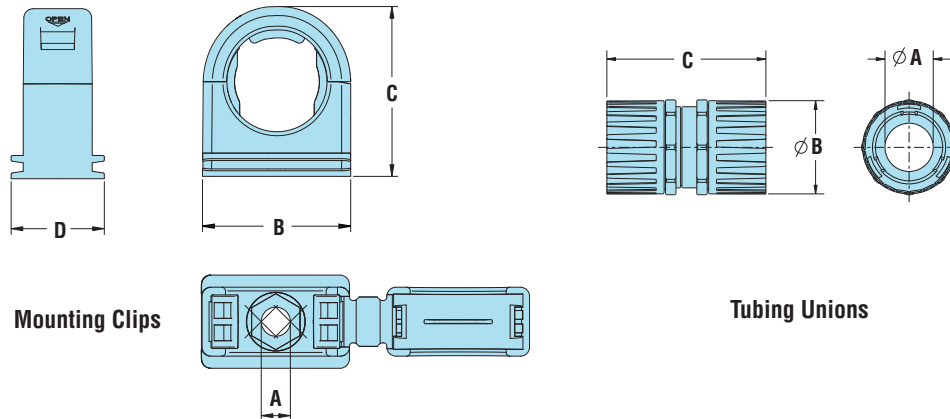
## Heyco® Nylon Corrugated Conduit/Tubing Mounting Clips

With Integral Closure



FITS CONDUIT SIZE	PART NO. Black	DESCRIPTION	PART DIMENSIONS							
			A Mounting Hole Dia.		B Width		C Max O.A Height		D Max. O.A. Thickness	
			in.	mm.	in.	mm.	in.	mm.	in.	mm.
13 mm	<b>F8902</b>	HCL 13	.197	5,0	.89	22,7	1.04	26,4		
16 mm	<b>F8904</b>	HCL 16	.205	5,2	1.04	26,4	1.17	29,8		
21 mm	<b>F8906</b>	HCL 21	.244	6,2	1.25	31,8	1.44	36,5	.79	20,0
28 mm	<b>F8908</b>	HCL 28	.244	6,2	1.61	40,8	1.75	44,5		
34 mm	<b>F8910</b>	HCL 34	.244	6,2	1.89	48,0	2.03	51,5		
42 mm	<b>F8912</b>	HCL 42	.244	6,2	2.25	57,2	2.37	60,2		

Standard color black.



- For mounting Heyco Nylon Corrugated Conduit or Tubing securely into place, vertically or horizontally. See page 2-3.
- Low profile design for space savings and pleasing appearance.
- Only fingertip pressure is required to snap conduit or tubing into bracket.
- Can be easily opened for temporary access/removal and closed again to secure conduit.
- Suitable for use with both fine and/or coarse pitch conduit/tubing.
- Suitable for use by original equipment manufacturers.
- Resist salt water, weak acids, gasoline, alcohol, oil, grease, and common solvents. (This feature is not assessed by UL certification or testing.)
- Recommended distance between brackets at intervals not greater than 3 feet (914 mm) as required by Article 351-27 of 1996 NEC.
- Use one standard #10 (4-5M) screw for attaching bracket to panel or chassis (screw not included).

## Heyco® Nylon Corrugated Conduit/Tubing Unions

FITS CONDUIT SIZE	PART NO. Black	DESCRIPTION	PART DIMENSIONS					
			A Bore		B Max. Diameter		C Length	
			in.	mm.	in.	mm.	in.	mm.
16 mm	<b>F8944</b>	HPAS 16 - HPAS 16	.43	11,0	1.14	29,0	2.32	59,0
21 mm	<b>F8946</b>	HPAS 21 - HPAS 21	.57	14,5	1.26	32,0	2.80	71,0
28 mm	<b>F8948</b>	HPAS 28 - HPAS 28	.77	19,5	1.73	44,0	3.19	81,0
34 mm	<b>F8950</b>	HPAS 34 - HPAS 34	1.04	26,5	2.01	51,0	3.43	87,0

Standard color black.

- One piece fast fit coupler to join corrugated conduit



Material	Nylon 6/6
Certifications	CE Approved as per BS EN50086
Flammability Rating	94V-2 and Low Fire Hazard Including Low Smoke, Low Toxicity as well as Halogen, Sulphur, and Phosphorus Free
Temperature Range	-58°F (-50°C) to 275°F (135°C)

Quick Specs