

VIDIO™

12G SDI FMC Daughter Card

XILINX
ALLIANCE PROGRAM
MEMBER

intel
FPGA Design
Solutions Network

12G

4Kp60

IP



Providing high performance video interfacing for development boards with Xilinx® Ultrascale, Ultrascale+, Kintex, Virtex, and Zynq FPGAs or Intel® Arria 10, Cyclone 10 and Stratix 10 FPGAs

Features

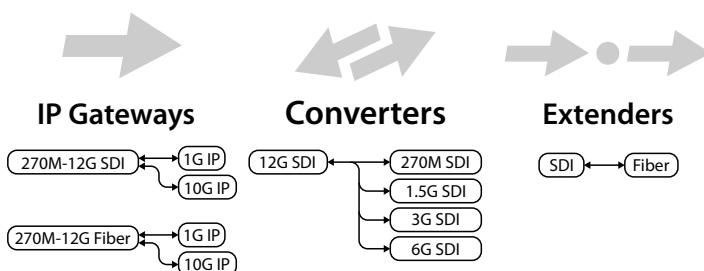
Designed to support Xilinx KCU116, KCU105, KC705, ZCU102/106, Intel Arria 10, Cyclone 10, Stratix 10, and most other development boards supporting the FMC HPC Standard

- Single FMC board supports SDI, Fiber, and IP
- Economical single channel solution
- Uses the latest 12G Texas Instruments® technology
- Full size 12G edge launch BNC connectors
- Can drive 12G SDI 100m with low jitter

Connections

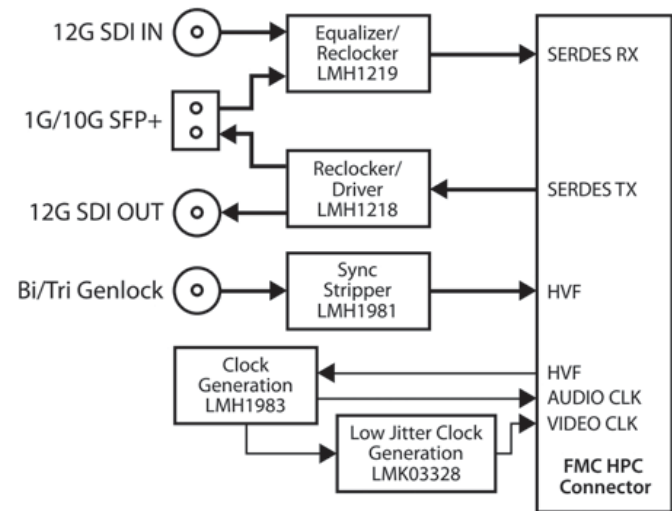
- 4Kp60 SDI I/O, supports SD/HD/3G/6G/12G/Fiber
- 1G/2.5G/10G Ethernet/Video SFP+
- Bi/Tri Level Genlock, supports Blackburst

Applications



Ordering Info: VIDIO-12G-X (Xilinx)
VIDIO-12G-A (Intel)

Block Diagram



Reference Design Available

- Schematics, Layout, Gerbers, and BOM
- Example FPGA Project

Nextera
Video

sales@nexteravideo.com
www.nexteravideo.com
(650) 600 - 9686