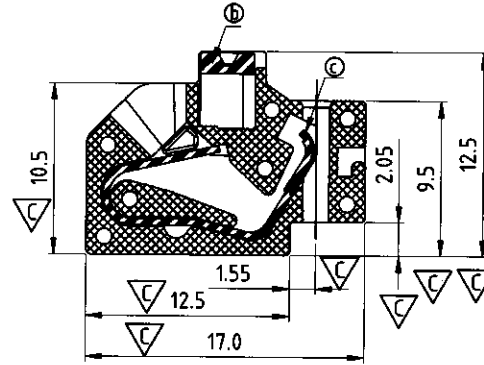
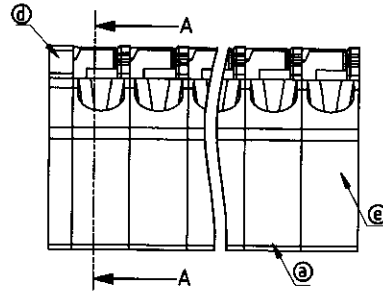
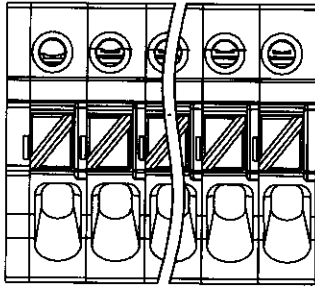
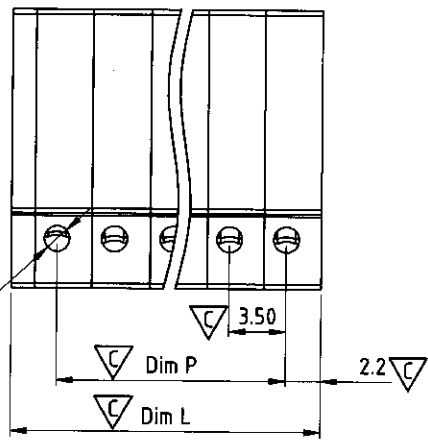


SIGN	DATE	DESCRIPTION	APPROVER
△			
△			

THIS IS CAD DRAWING, DO NOT REVISE MANUALLY!!!



Section A-A



**Material**

- Item a Insulating body: Thermoplastic ( UL94V-0 )
- Item b Insulating lever: Thermoplastic ( UL94V-0 ) Orange RAL 2011/P
- Item c Spring clamp: Stainless steel Matte Tin plated.
- Item d Insulating cover : Thermoplastic ( UL94V-0 )
- Item e Terminal side body: Thermoplastic (UL94V-0)

- Electrical: cULus
- Voltage rating: 150V
  - Current rating: 2A
  - Solid wire(AWG): 16-22
  - Stranded wire(AWG): 16-22
  - Wire strip length: 9.0-10.0mm
  - Withstanding Voltage: 1.3KV
  - Operating temperature: -40°C to +115°C
  - Safety Approval:
  - Critical dimension: ▽



**NY xx 10 x 0 xxxx G**

- RoHs compliant (lead<4%) in copper Alloy
- |              |                     |   |
|--------------|---------------------|---|
| No. OF POLES | Body Color          | 0000 Standard @ Logo                                |
| 02: 2 POLES  | 0 Black (RAL9005)   | 000A Standard ANY Logo                              |
| 03: 3 POLES  | 2 Red (RAL3001/D)   | Any special item by                                 |
| ⋮            | 3 Orange(RAL2011/P) | 4 Yellow(RAL1018/A) customer request,               |
| 24: 24 POLES | 5 Green(RAL6018/T)  | 6 Blue (RAL5015/A) please contact sales department. |
|              | 8 Grey(RAL7004/P)   |   |
|              | 9 White(RAL1102)    |   |
|              | C Multiple colors   |   |

N = Number of poles  
 Dim L=(N×3.5)+1.5  
 Dim P=(N-1)×3.5

POLES	Dim L	Dim P
2p-6p	±0.15	±0.15
7p-12p	±0.2	±0.2
13p-18p	±0.3	±0.3
19p-24p	±0.4	±0.4

<b>ANYTEK</b>		<b>CUSTOMER COPY</b>		ALL RIGHTS RESERVED. REPRODUCTION OR ISSUE TO THIRD PARTIES IN ANY FORM WHATSOEVER IS NOT PERMITTED WITHOUT WRITTEN AUTHORITY FROM THE PROPRIETOR. PROPERTY OF ANYTEK TECHNOLOGY CO., LTD			
				TITLE	NY-3.5mm Series (W/O top cover)		
PART NO.	NYxx10x0xxxxG			DWG NO.	8NY0003		
APPROVED	CHECKED	DESIGNED	DRAWN	CUST NO.	Tolerance		
		Guoxue	Guoxue		UNIT: mm	X.	±0.50
		2014.08.06	2014.08.06		SCALE: NONE	X.X	±0.30
					SHEET: 01/01	REV: B	X.XX
						X*	±1*