

1	NDK Part Number	See table 1
2	NDK Specification Number	See Table1
3	Type	NX3225SA
4	Electrical Characteristics	
4.1	Nominal Frequency (f_{nom})	See table 1
4.2	Overtone order	Fundamental
4.3	Frequency Tolerance	$\pm 15 \times 10^{-6}$ max. (+25 °C)
4.4	Frequency Versus Temperature Characteristics	$\pm 15 \times 10^{-6}$ max. (-10 ~ +75 °C) The reference temperature shall be +25 °C
4.5	Equivalent Series Resistance (R_r)	See table 1
4.6	Shunt Capacitance (C_0)	NA
4.7	Maximum Drive Level	100 μ W max.
5	Measurement Circuit	
5.1	Frequency Measurement	
5.1.1	Measuring Instrument	π -network
5.1.2	Load Capacitance (C_L)	8 pF
5.1.3	Level of Drive	10 μ W
5.2	Equivalent Resistance Measurement	
5.2.1	Measuring Instrument	π -network
5.2.2	Load Capacitance (C_L)	Series
5.2.3	Level of Drive	10 μ W
6	Operable Temperature Range	-10 ~ +75 °C
7	Storage Temperature Range	-40 ~ +85 °C
8	Dimension	

(Unit: mm)

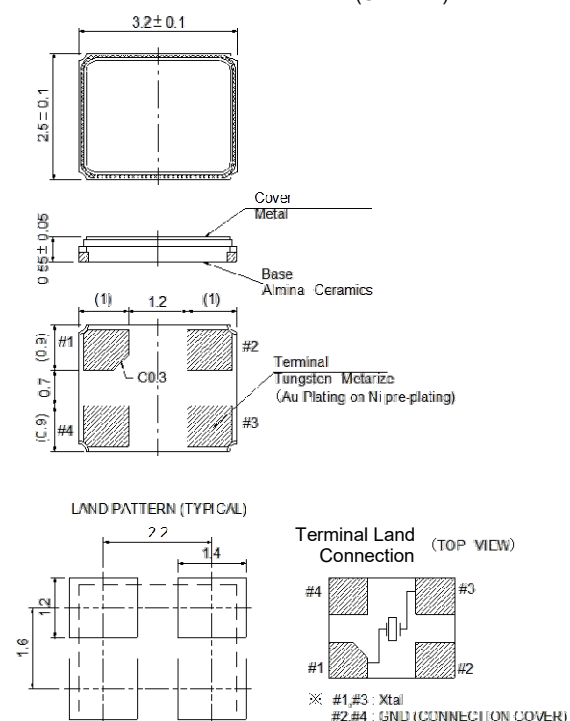


Table1

f_{nom} (MHz)	R_r (Ω) max.	NDK Spec Number	NDK Part Number	Prior NDK Part Number
12.000	100	EXS00A-CS15186	CS15186-12M	NX3225SA-12.000MHz-STD-CSR-1
14.31818	80	EXS00A-CS15189	CS15189-14.31818M	NX3225SA-14.31818MHz-STD-CSR-1
16.000	80	EXS00A-CS14520	CS14520-16M	NX3225SA-16.000MHz-STD-CSR-1
20.000	50	EXS00A-CS14521	CS14521-20M	NX3225SA-20.000MHz-STD-CSR-1
24.000	50	EXS00A-CS14522	CS14522-24M	NX3225SA-24.000MHz-STD-CSR-1
24.576	50	EXS00A-CS14523	CS14523-24.576M	NX3225SA-24.576MHz-STD-CSR-1
26.000	50	EXS00A-CS14524	CS14524- 26M	NX3225SA-26.000MHz-STD-CSR-1
27.000	50	EXS00A-CS14525	CS14525-27M	NX3225SA-27.000MHz-STD-CSR-1
32.000	50	EXS00A-CS14526	CS14526-32M	NX3225SA-32.000MHz-STD-CSR-1
40.000	50	EXS00A-CS14527	CS14527-40M	NX3225SA-40.000MHz-STD-CSR-1