

NS-205PSE-24V/NSM-205PSE-24V *NEW*

5-port 10/100 Mbps PoE (PSE) Ethernet Switch with 24 V_{dc} Input

NS-205PSE

5-port 10/100 Mbps PoE (PSE) Ethernet Switch



Highlight Information >>>



Features >>>

- Automatic MDI/MDI-X crossover for plug-and-play
- Full duplex IEEE 802.3x and half duplex backpressure flow control
- Supports operating temperatures from -40 °C ~ +75 °C
- Each port supports both 10/100 Mbps speed auto negotiation
- Power Inputs +18 V_{dc} ~ +32 V_{dc} (NS-205PSE-24V/NSM-205PSE-24V)
- Store-and-forward architecture
- 3.2 Gbps high performance memory bandwidth
- IEEE 802.3af compliant PoE ports
- Slim packaging fits on your DIN-Rail Mounting

Introduction

The NS-205PSE-24V/NSM-205PSE-24V/NS-205PSE is a 5-port unmanaged PoE (Power over Ethernet) Industrial Ethernet switch; it supports 4 PoE ports which are classified as power source equipments (PSE). The NS-205PSE-24V/NSM-205PSE-24V/NS-205PSE makes centralized power supply come true and provides up to 15.4 watts of power per PSE port.

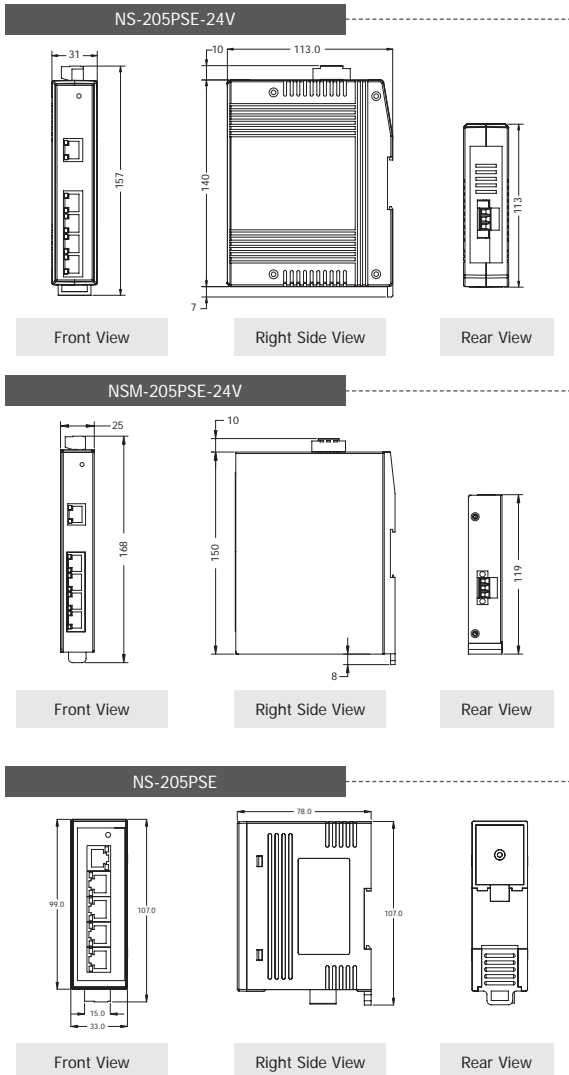
The NS-205PSE-24V/NSM-205PSE-24V is designed with 24 V_{dc} to 48 V_{dc} boost for PoE application where 48 V_{dc} power supply is not available.

Specifications

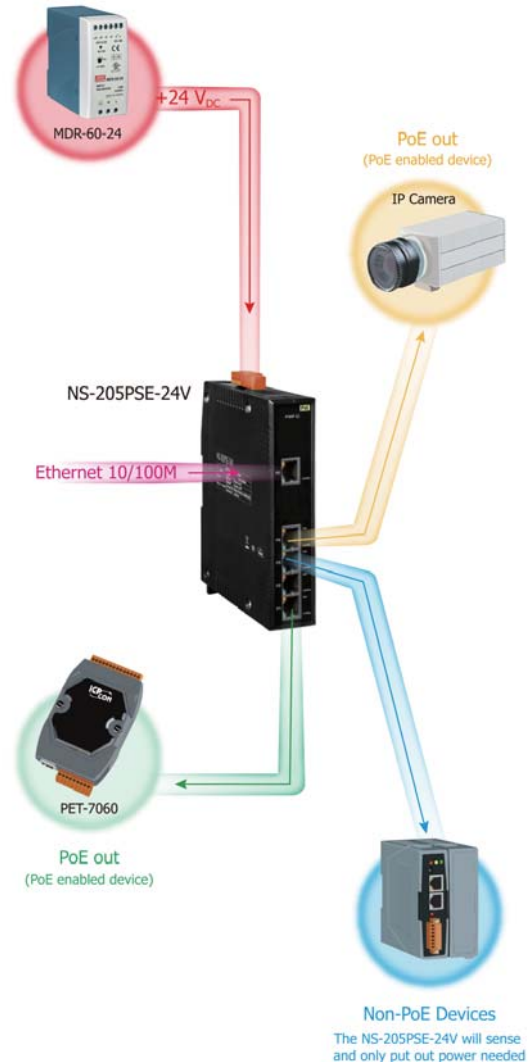
Models	NS-205PSE-24V	NSM-205PSE-24V	NS-205PSE
Technology			
Standards	IEEE 802.3, 802.3u, 802.3x, 802.3af (Power over Ethernet)		
Processing Type	Store & forward; wire speed switching		
MAC Addresses	1024		
Memory Bandwidth	3.2 Gbps		
Frame Buffer Memory	512 Kbit		
Flow Control	IEEE 802.3x flow control, back pressure flow control		
Interface			
RJ-45 Ports	10/100 Base-T(X) auto negotiation speed, F/H duplex mode, and auto MDI/MDI-X connection		
LED Indicators	Power, Link/Act, 10/100M, Power Device is detected		
Ethernet Isolation	1500 V _{rms} 1 minute		
EMS Protection	Yes		
Power Input			
Input Voltage Range	+18 V _{dc} ~ +32 V _{dc}		+46 V _{dc} ~ +55 V _{dc}
Power Consumption	0.24 A @ 24 V _{dc} without PD loading 3.2 A @ 24 V _{dc} with PD full loading 4.6 A @ 18 V _{dc} with PD full loading		0.05 A @ 48 V _{dc} without PD loading 1.45 A @ 48 V _{dc} with PD full loading
Protection	Power reverse polarity protection		
EMS Protection	Yes		
Connector	3-Pin Removable Terminal Block		

Models	NS-205PSE-24V	NSM-205PSE-24V	NS-205PSE
PoE Technology			
PoE Compliance	100% IEEE 802.3af compliant		
PoE Classification	PSE (Power Sourcing Equipment)		
PoE Power	Up to 15.4 watts per channel		
PoE Operation	Automatic detection and power management		
PoE Pin Assignments	V+ (Pin 1, 3), V- (Pin 2, 4)		
PoE Disconnect Mode	DC disconnect		
Mechanical			
Casing	Plastic (Flammability UL 94V-0)	Metal (IP30 Protection)	Plastic (Flammability UL 94V-0)
Dimensions (W x L x H)	31 mm x 157 mm x 113 mm	25 mm x 168 mm x 119 mm	33 mm x 107 mm x 99 mm
Installation	DIN-Rail Mounting		
Environment			
Operating Temperature	-40 °C ~ +75 °C		
Storage Temperature	-40 °C ~ +85 °C		
Ambient Relative Humidity	10% ~ 90% RH, non-condensing		

Dimensions (Units: mm)



Applications



Ordering Information

NS-205PSE-24V CR	Unmanaged 5-port 10/100 Mbps PoE(PSE) Ethernet Switch; 24 V _{DC} Input (RoHS)
NSM-205PSE-24V CR	Unmanaged 5-port 10/100 Mbps PoE(PSE) Ethernet Switch with Metal Casing; 24 V _{DC} Input
NS-205PSE CR	Unmanaged 5-port 10/100 Mbps PoE(PSE) Ethernet Switch (RoHS)

Accessories

DP-1200	24V/5A, 120 W Power Supply with DIN-Rail Mounting
MDR-60-24	24V/2.5A, 60 W Power Supply with DIN-Rail Mounting
DIN-KA52F-48	48V/0.52A, 25 W Power Supply with DIN-Rail Mounting
DIN-KA52F	24V/1.04A, 25 W Power Supply with DIN-Rail Mounting