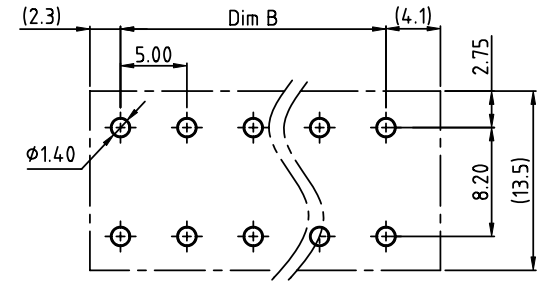
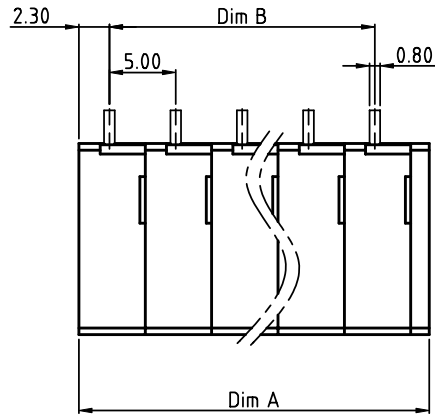
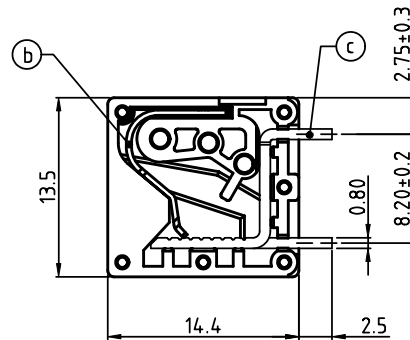
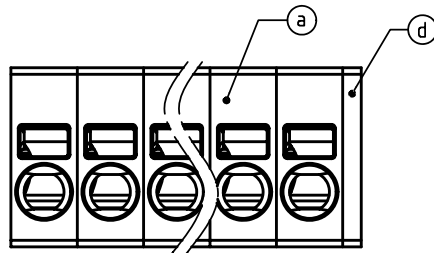


PRODUCT NUMBER	PITCH
NJxx00x000J0G	5.00mm



RECOMMENDED P.C.B LAYOUT  
TOP VIEW



Material:

- Item a Terminal housing: Thermoplastic (UL 94V-0)
- Item b Spring clamp: Stainless steel
- Item c Solder pin: Brass, Tin plated
- Item d Terminal cover: Thermoplastic (UL 94V-0)

Electrical:

- Voltage rating: 300 V
- Current rating (Sol): 13A
- Current rating (Str): 16A
- Wire range:
- Solid wire (AWG): 14-24
- Stranded wire (AWG): 12-24
- Wire strip length: 9-10mm
- Withstanding Voltage: 1.6KV
- Operating temperature: -40°C to +115°C
- Soldering temperature: 260°C±5°C/5 Sec
- Safety Approval:

N=Number of poles  
Dim A=Nx5.00+1.40  
Dim B=(N-1)x5.00

POLES	Dim A	Dim B
1p	±0.10	—
2-6p	±0.10	±0.10
7-12p	±0.20	±0.20
13-18p	±0.30	±0.30
19-24p	±0.40	±0.40

PART NO.: NJ xx 00 x 000J0 G

No. of poles	Color	RoHS compliant
0	Black (RAL9005)	(lead<4%) In copper Alloy
End Stackable 2	Red (RAL3001/D)	
01 1 poles	3 Orange (RAL2011/P)	
02 2 poles	4 Yellow (RAL1018/A)	
...	5 Green (RAL6018/T)	
24 24 poles	6 Blue (RAL5015/A)	
	8 Grey (RAL7004/P)	
	9 White (RAL1102)	
	C Multiple colors	

mat'l. code		surface ASME Y14.5	tolerance ASME Y14.5	projection	product family TERMINAL BLOCK	
ltr	ecn no	dr	date	 MM	title TERMINAL BLOCK SPRING CLAMP, 90D WIRE INLET	
tolerances unless otherwise specified						scale
angles		X.±0.5			dwg no NJxx00x000J0G	
X*±1°		X.XX±0.1				sheet 1 of 1
dr	EVIN ZHONG	060514				size A4
enr	EVIN ZHONG	060514		type CUSTOMER Drawing		
chr	HANKE FENG	060514				
appd	SHI JUN	060514				
sheet index	revision	A				
	sheet	1				