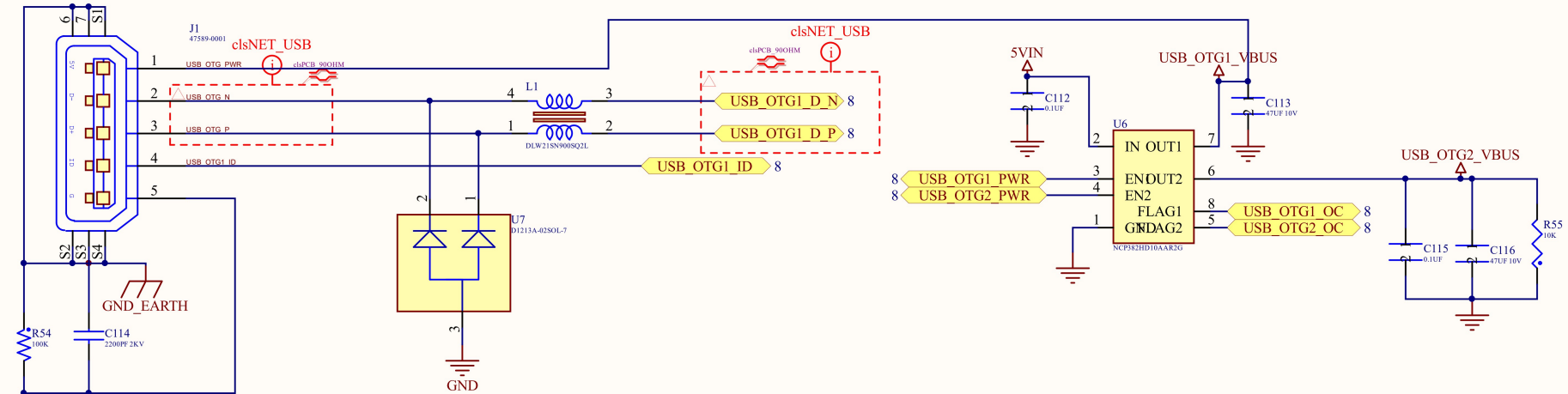
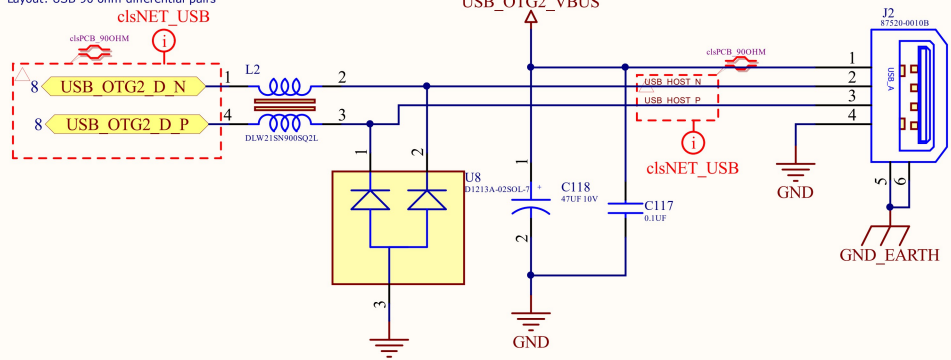


|         |                    |              |               |
|---------|--------------------|--------------|---------------|
| Company | BOUNDARY DEVICES   |              |               |
| Title   | SYSTEM POWER       |              |               |
| Project | NIT8M_MINI_CARRIER |              | Rev<br>REV10A |
| Date:   | 5/16/2019          | Sheet 1 of 9 | 6             |

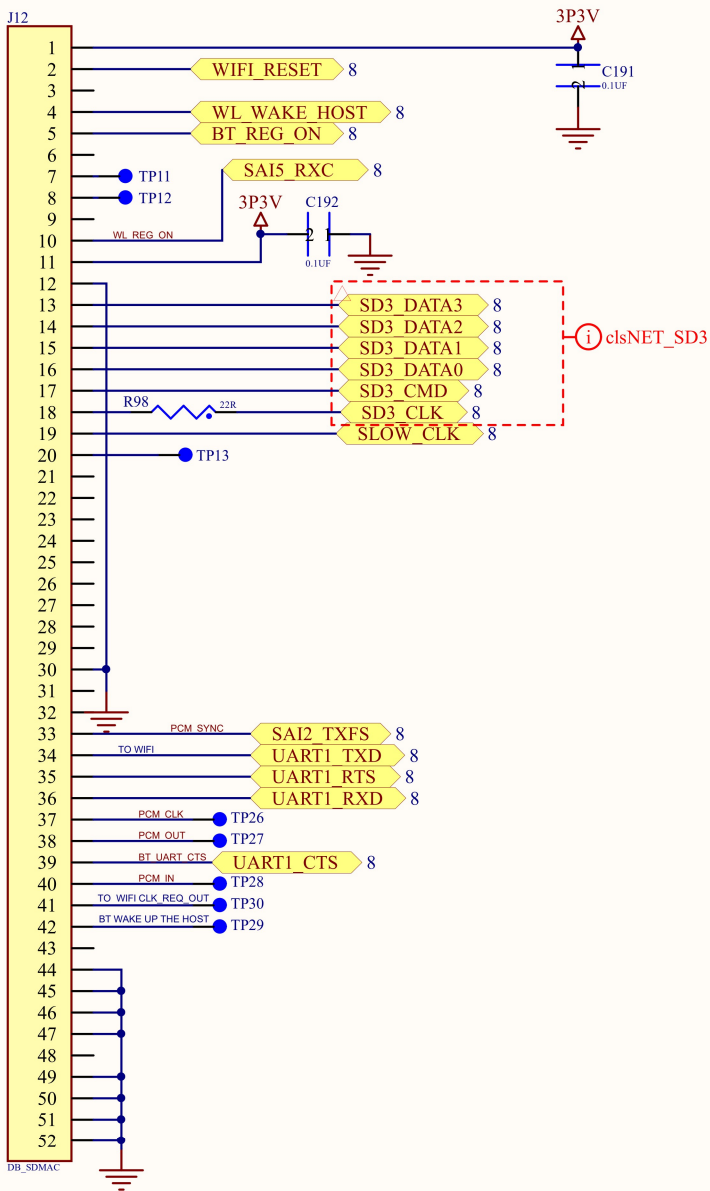
Layout: USB 90 ohm differential pairs




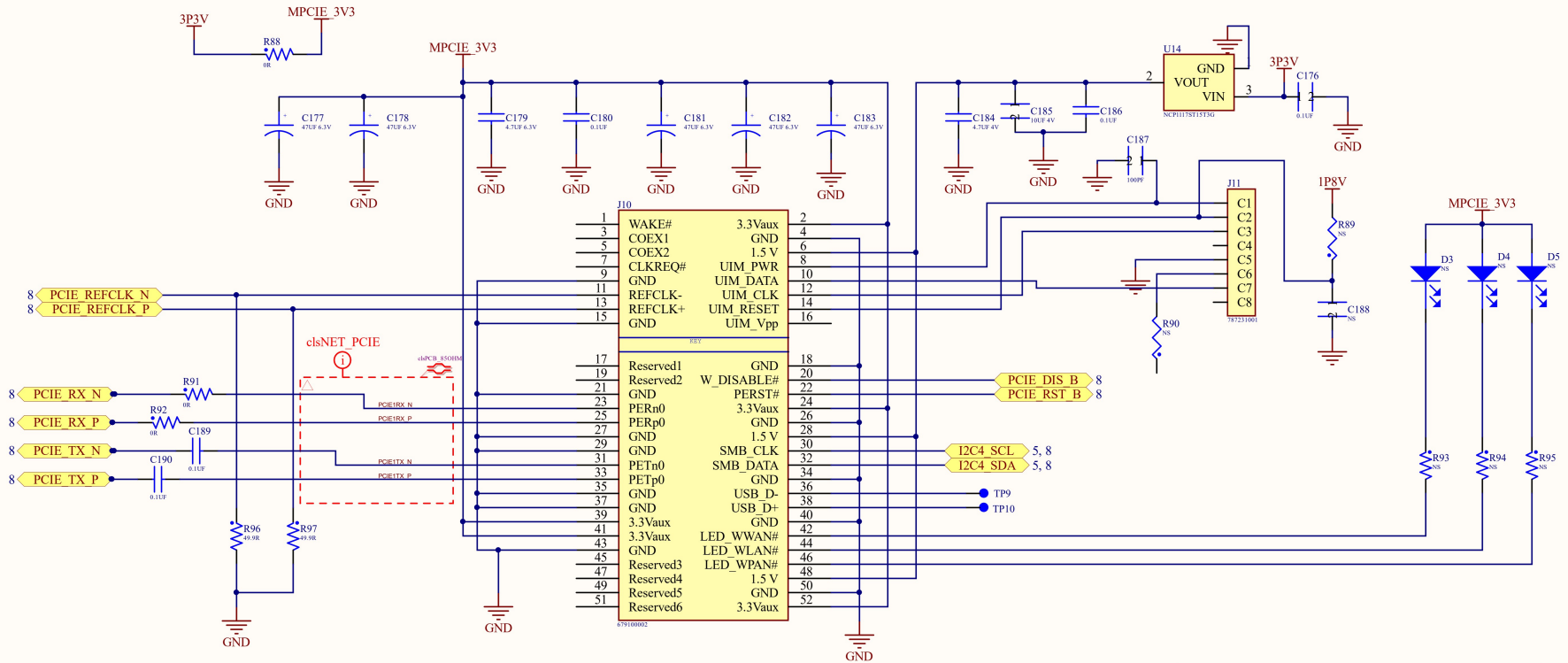
Layout: USB 90 ohm differential pairs



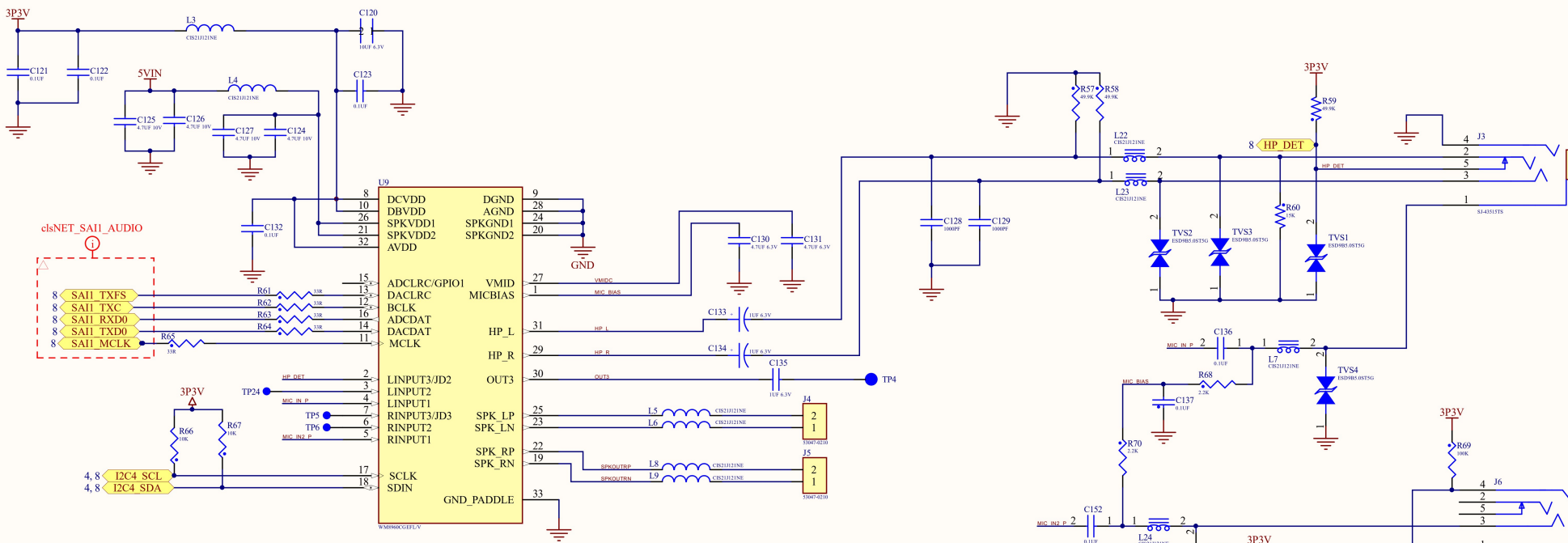
|         |                    |               |
|---------|--------------------|---------------|
| Company | BOUNDARY DEVICES   |               |
| Title   | USB                |               |
| Project | NIT8M_MINI_CARRIER | Rev<br>REV10A |
| Date:   | 5/16/2019          | Sheet 2 of 9  |



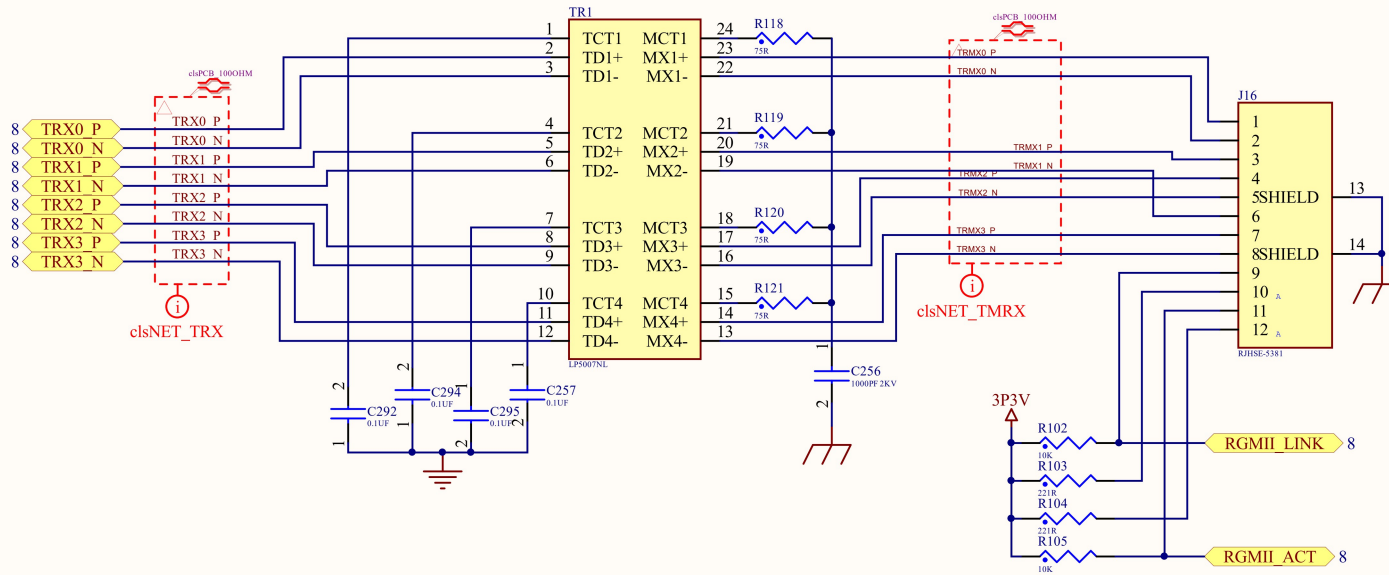
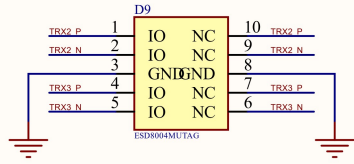
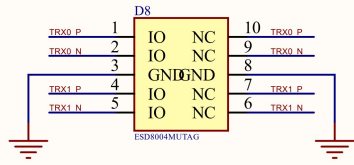
|         |                    |       |   |
|---------|--------------------|-------|---|
| Company | BOUNDARY DEVICES   |       |  |
| Title   | WIFI               |       |   |
| Project | NIT8M_MINI_CARRIER |       | Rev<br>REV10A   |
| Date:   | 5/16/2019          | Sheet | 3 of 9  |



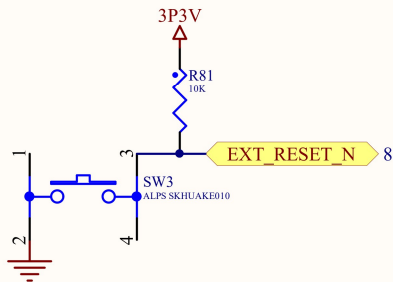
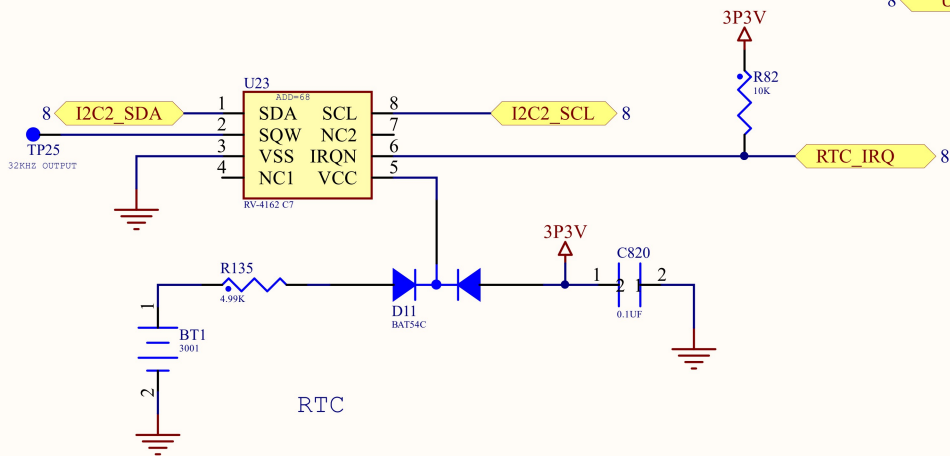
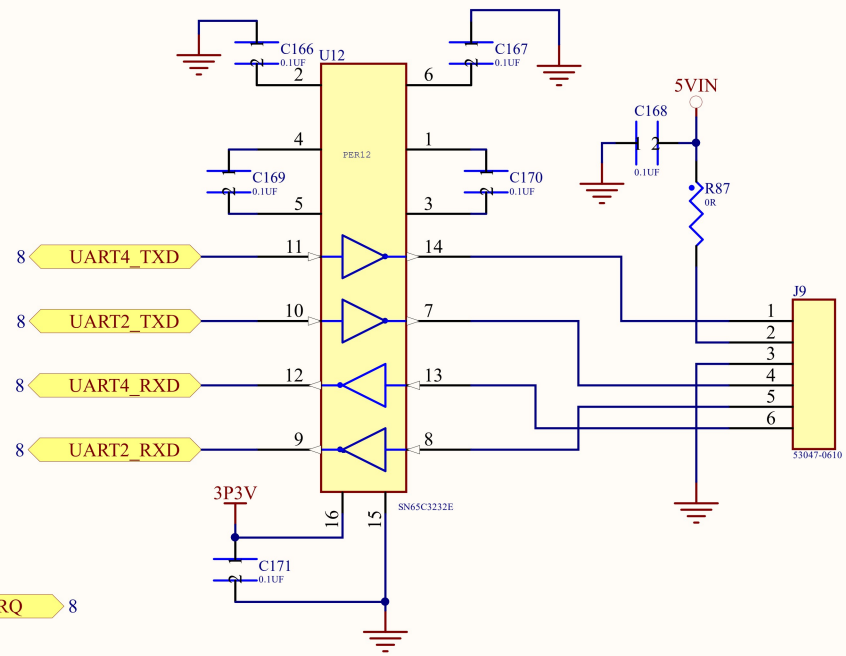
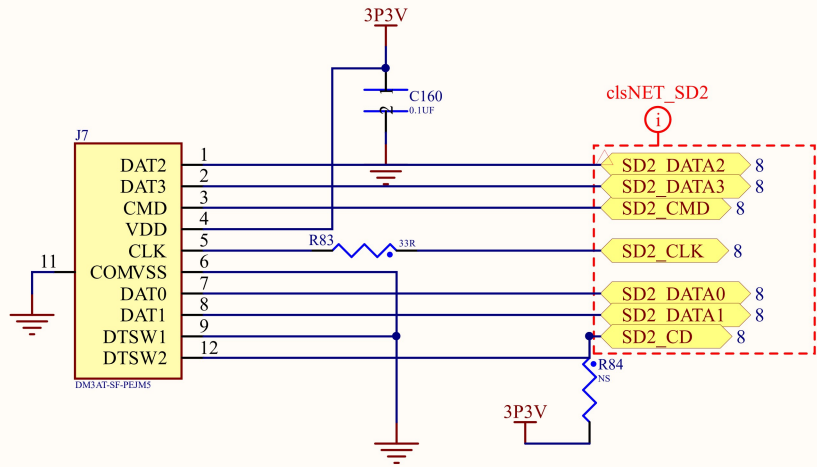
|                 |                    |        |
|-----------------|--------------------|--------|
| Company         | BOUNDARY DEVICES   |        |
| Title           | PCIE               |        |
| Project         | NIT8M_MINI_CARRIER | Rev    |
| Date: 5/16/2019 | Sheet 4 of 9       | REV10A |



|         |                    |               |
|---------|--------------------|---------------|
| Company | BOUNDARY DEVICES   |               |
| Title   | AUDIO              |               |
| Project | NIT8M_MINI_CARRIER | Rev<br>REV10A |
| Date:   | 5/16/2019          | Sheet 5 of 9  |



|         |                    |               |
|---------|--------------------|---------------|
| Company | BOUNDARY DEVICES   |               |
| Title   | RGMIIL             |               |
| Project | NIT8M_MINI_CARRIER | Rev<br>REV10A |
| Date:   | 5/16/2019          | Sheet 6 of 9  |



|         |                    |       |               |
|---------|--------------------|-------|---------------|
| Company | BOUNDARY DEVICES   |       |               |
| Title   | RTC + UART + SD    |       |               |
| Project | NIT8M_MINI_CARRIER |       | Rev<br>REV10A |
| Date:   | 5/16/2019          | Sheet | 7 of 9        |

