

Product Specification

NHD-C12864LZ-FSW-FBW-3V3

COG (Chip-on Glass) Liquid Crystal Display Module

NHD-	Newhaven Display
C12864-	128 x 64 Pixels
LZ-	Model
F-	Transflective
SW-	Side white LED Backlight
F-	FSTN (+)
B-	6:00 Optimal View
W-	Wide Temperature
3V3-	3.0V LCD, 3.0V Backlight

Table of Contents

Document Revision History.....	2
Mechanical Drawing	3
Pin Description	4
Wiring Diagram	4
Electrical Characteristics	5
Optical Characteristics	5
Controller Information.....	5
Table of Commands	6
Timing Characteristics.....	7
Example Initialization Program	11
Packing Procedure	12
Quality Information.....	13

Additional Resources

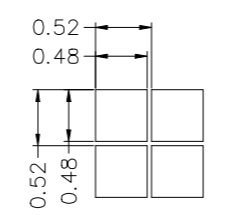
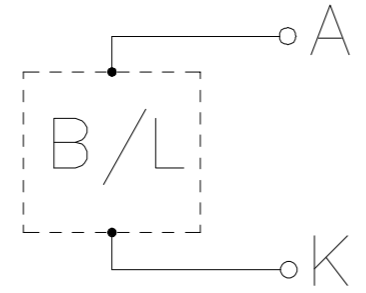
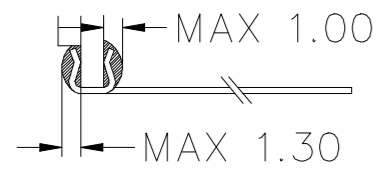
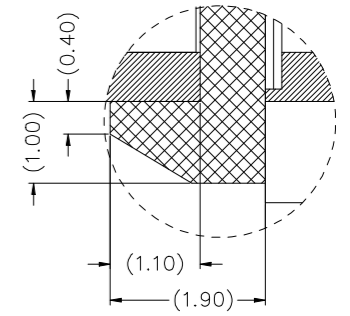
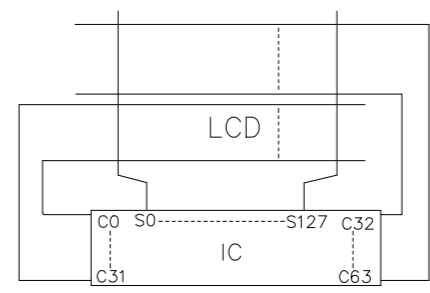
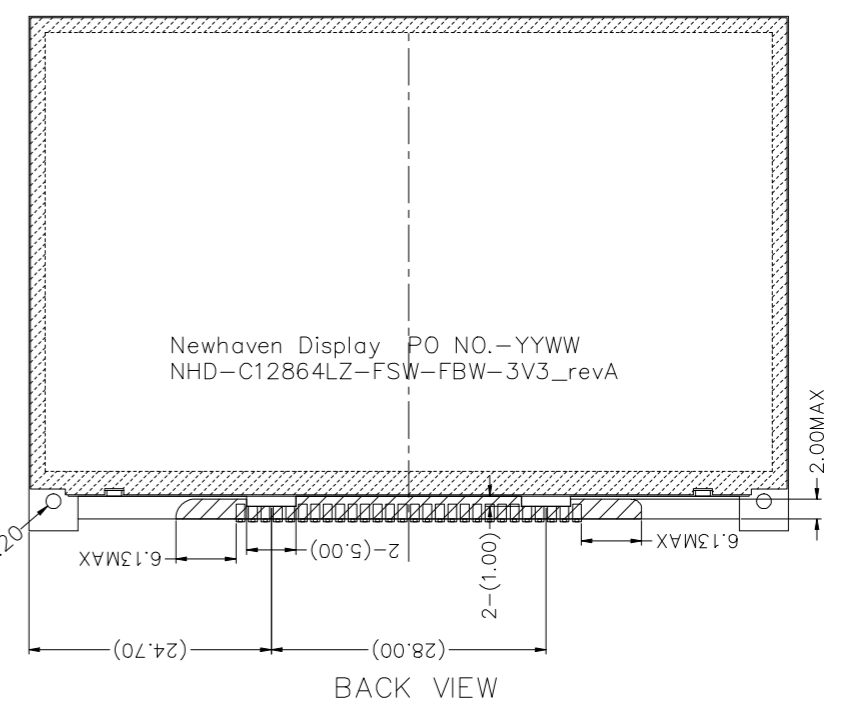
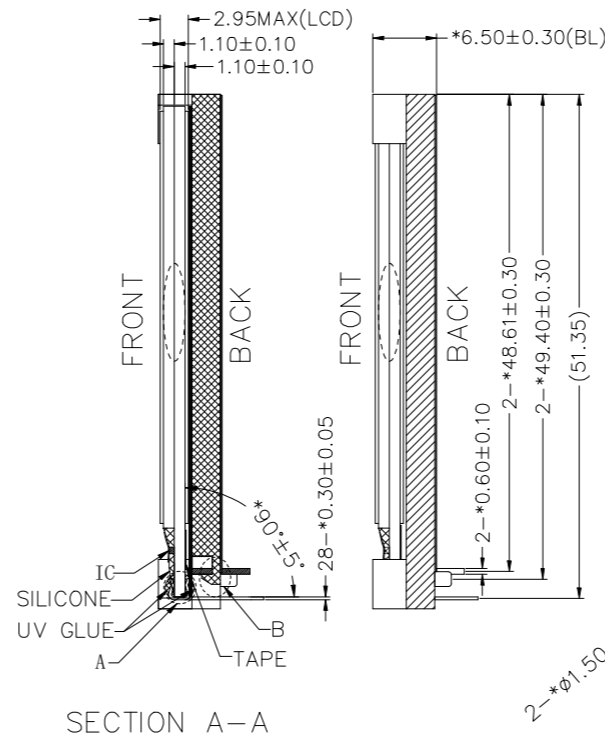
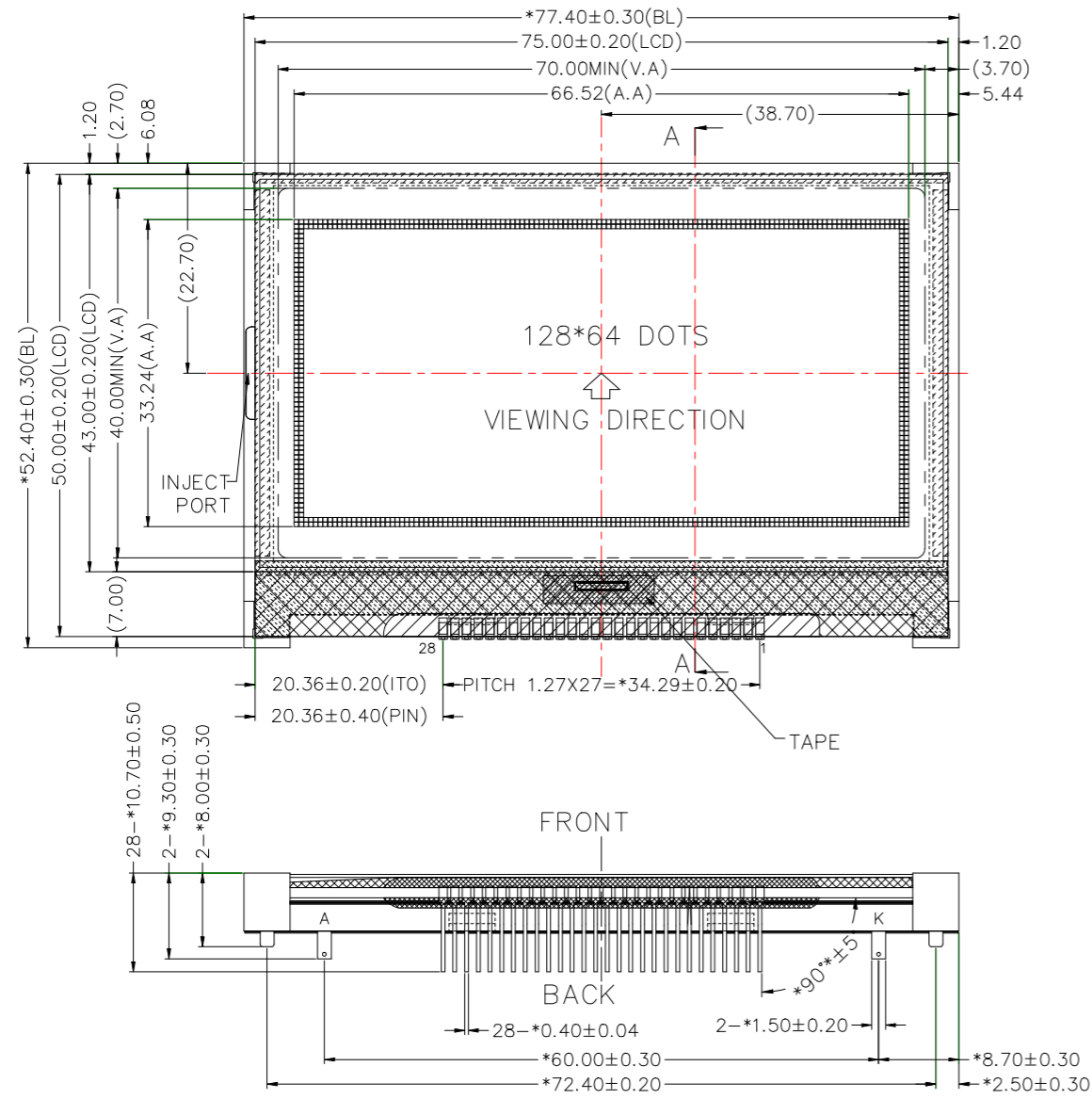
- **Support Forum:** <https://support.newhavendisplay.com/hc/en-us/community/topics>
- **GitHub:** <https://github.com/newhavendisplay>
- **Example Code:** <https://support.newhavendisplay.com/hc/en-us/categories/4409527834135-Example-Code/>
- **Knowledge Center:** https://www.newhavendisplay.com/knowledge_center.html
- **Quality Center:** https://www.newhavendisplay.com/quality_center.html
- **Precautions for using LCDs/LCMs:** <https://www.newhavendisplay.com/specs/precautions.pdf>
- **Warranty / Terms & Conditions:** <https://www.newhavendisplay.com/terms.html>



Document Revision History

Revision	Date	Description	Changed By
0	01/10/2010	Initial Release	MC
1	07/07/2011	Packaging Procedure Added	AK
2	12/12/2012	Example Initialization Program Updated	AK
3	04/10/2013	Serial Interface Timing Added	AK
4	03/17/2015	Pin Description Updated	RM
5	10/16/2015	Mechanical Drawing Updated	TJ
6	06/29/2016	Electrical and Optical Characteristics Updated	SB
7	10/27/2016	Electrical Characteristics and Mechanical Drawing Updated	TM
8	07/26/2017	Backlight Redesign & LCD Panel Changed for Improved Contrast	SB
9	08/24/2018	Note Added to Drawing	SB
10	05/28/2019	Added PCB Footprint Drawing & Recommended Breakout Board	AS
11	08/11/2023	Updated Optical Characteristics, Quality Information, Timing Characteristics, and Date Code Format on Mechanical Drawing	KL

Mechanical Drawing



DOTS DETAIL SCALE: 10/1

PIN	1	2	3	4	5	6	7	8	9	10	11	12	13	14
CONNECTION	CS1	/RES	A0	/WR	/RD	DB0	DB1	DB2	DB3	DB4	DB5	DB6	DB7	VDD
PIN	15	16	17	18	19	20	21	22	23	24	25	26	27	28
CONNECTION	VSS	VOUT	CAP3P	CAP1N	CAP1P	CAP2P	CAP2N	V4	V3	V2	V1	V0	C86	P/S

Product Description: 128x64 Graphic COG LCD

1. Driver IC: ST7565R
2. Driving Mode: 1/65 Duty, 1/9 Bias
3. Interface: 8-bit 6800/8080 Parallel, 4-wire SPI
4. Power Requirement: 3.0V LCD
5. Optical Features: FSTN (+), Transflective, 6:00 View, White Backlight

Standard Tolerance: (Unless otherwise specified) Linear: ± 0.3 mm		
	Drawing/Part Number: NHD-C12864LZ-FSW-FBW-3V3	Revision: A
Unless otherwise specified: • Dimensions are in Millimeters • Third Angle Projection	Drawn By: K. Lewis	Approved By: K. Lewis
	Drawn Date: 08/11/2023	Approved Date: 08/11/2023
This drawing is solely the property of Newhaven Display International, Inc. The information it contains is not to be disclosed, reproduced or copied in whole or part without written approval from Newhaven Display.		

Pin Description

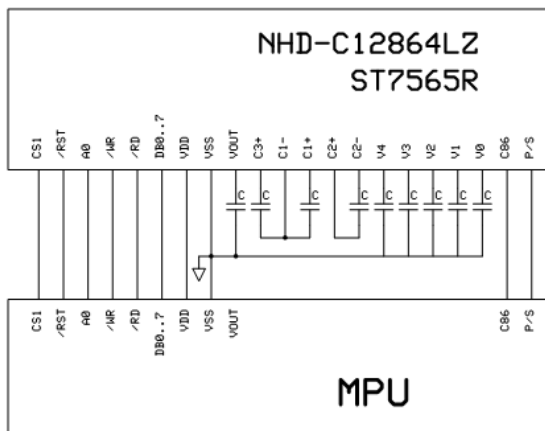
Pin No.	Symbol	External Connection	Function Description
1	/CS1	MPU	Active LOW chip select
2	/RES	MPU	Active LOW Reset signal
3	A0	MPU	Register select signal. 0: instruction; 1: data register
4	R/W /WR	MPU	6800 Mode: Read/Write select signal. R/W=1: Read R/W=0: Write 8080 Mode: Active LOW Write Signal
5	E /RD	MPU	6800 Mode: Active HIGH Enable Signal 8080 Mode: Active LOW Read Signal
6	DB0	MPU	Parallel Interface: DB0-DB7: Bi-directional 8-bit data bus Serial Interface: DB0-DB5: No connect in serial mode DB6= Serial clock (SCL) DB7= Serial data input (SI)
7	DB1	MPU	
8	DB2	MPU	
9	DB3	MPU	
10	DB4	MPU	
11	DB5	MPU	
12	DB6	MPU	
13	DB7	MPU	
14	V _{DD}	Power Supply	Supply Voltage for LCD and logic (+3.0V)
15	V _{SS}	Power Supply	Ground
16	V _{OUT}	Power Supply	Connect to 1uF cap to VSS
17	CAP3+	Power Supply	Connect to 1uF cap to CAP1- (PIN-18)
18	CAP1-	Power Supply	Connect to 1uF cap to CAP3+(PIN17) and CAP1+(PIN19)
19	CAP1+	Power Supply	Connect to 1uF cap to CAP1- (PIN-18)
20	CAP2+	Power Supply	Connect to 1uF cap to CAP2- (PIN-21)
21	CAP2-	Power Supply	Connect to 1uF cap to CAP2+ (PIN-20)
22	V ₄	Power Supply	1.0uF-2.2uF cap to VSS
23	V ₃	Power Supply	1.0uF-2.2uF cap to VSS
24	V ₂	Power Supply	1.0uF-2.2uF cap to VSS
25	V ₁	Power Supply	1.0uF-2.2uF cap to VSS
26	V ₀	Power Supply	1.0uF-2.2uF cap to VSS
27	C86	MPU	MPU interface Select pin. C86=H: 6800; C86=L: 8080
28	PS	MPU	Parallel/Serial select. PS= H: Parallel; PS=L: Serial

LCD connector: 1.27mm pitch pins.

Backlight connector: 1.5mm wide pins.

Recommended Breakout Board: [NHD-PCB40](#)

Wiring Diagram



Electrical Characteristics

Item	Symbol	Condition	Min.	Typ.	Max.	Unit
Operating Temperature Range	T _{OP}	Absolute Max	-20	-	+70	°C
Storage Temperature Range	T _{ST}	Absolute Max	-30	-	+80	°C
Supply Voltage	V _{DD}	-	2.7	3.0	3.3	V
Supply Current	I _{DD}	V _{DD} = 3.0V	0.2	0.5	2.0	mA
Supply for LCD (contrast)	V _{LCD}	T _{OP} = 25°C	8.2	8.5	8.8	V
"H" Level input	V _{IH}	-	0.8 * V _{DD}	-	V _{DD}	V
"L" Level input	V _{IL}	-	V _{SS}	-	0.2 * V _{DD}	V
"H" Level output	V _{OH}	-	0.8 * V _{DD}	-	V _{DD}	V
"L" Level output	V _{OL}	-	V _{SS}	-	0.2 * V _{SS}	V
LED Backlight current	I _{LED}	-	60	80	100	mA
LED Backlight voltage	V _{LED}	I _{LED} = 80mA	2.7	3.0	3.3	V

*The LED of the backlight is driven by current drain; drive voltage is for reference only. Drive voltage must be selected to ensure backlight current drain is below MAX level stated.

Optical Characteristics

Item		Symbol	Condition	Min.	Typ.	Max.	Unit
Optimal Viewing Angles	Top	φY+	Cr ≥ 2	-	40	-	°
	Bottom	φY-		-	40	-	°
	Left	θX-		-	35	-	°
	Right	θX+		-	35	-	°
Contrast Ratio		CR	-	-	5	-	-
Response Time	Rise	T _r	T _{OP} = 25°C	-	150	-	ms
	Fall	T _f		-	110	-	ms

Controller Information

Built-in ST7565R Controller: <https://support.newhavendisplay.com/hc/en-us/articles/4414899357591-ST7565R>

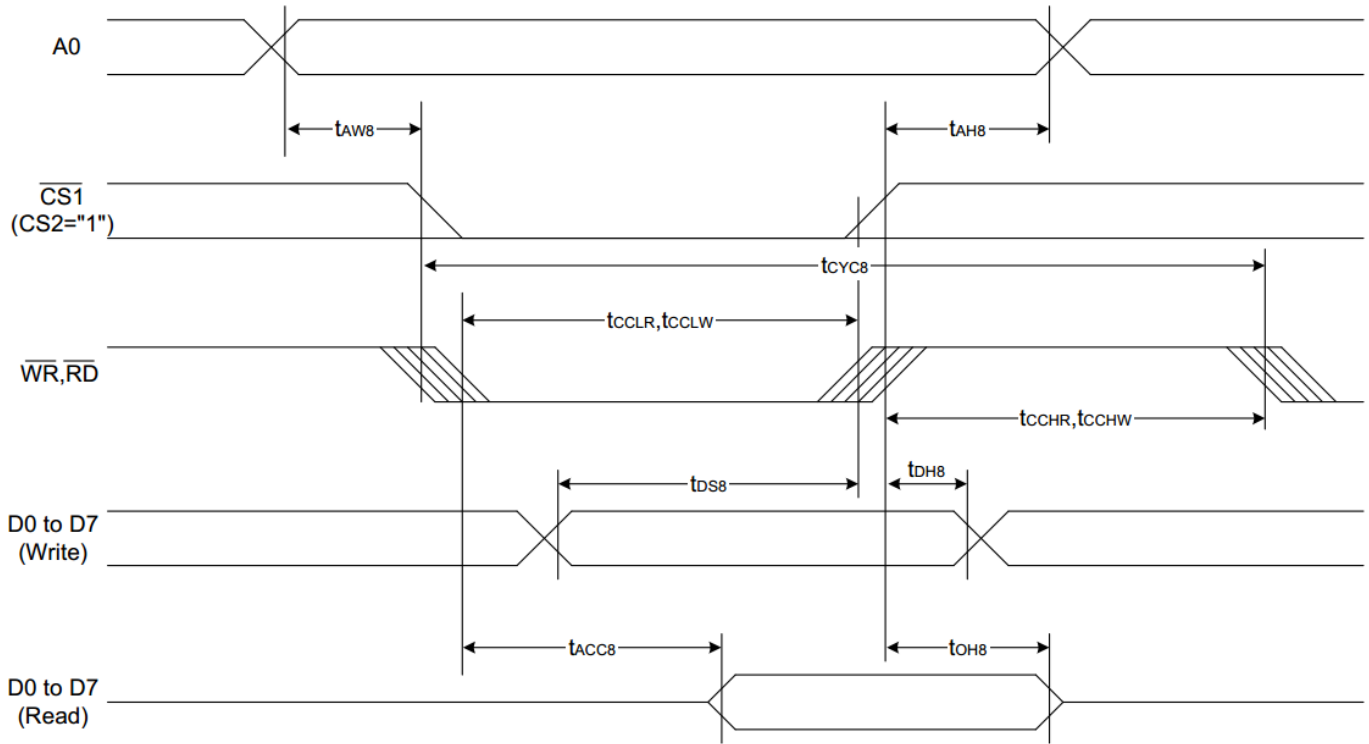


Table of Commands

Command	Command Code										Function		
	A0	/RD	/WR	D7	D6	D5	D4	D3	D2	D1		D0	
(1) Display ON/OFF	0	1	0	1	0	1	0	1	1	1	0	1	LCD display ON/OFF 0: OFF, 1: ON
(2) Display start line set	0	1	0	0	1	Display start address						Sets the display RAM display start line address	
(3) Page address set	0	1	0	1	0	1	1	Page address					Sets the display RAM page address
(4) Column address set upper bit	0	1	0	0	0	0	1	Most significant column address				Sets the most significant 4 bits of the display RAM column address. Sets the least significant 4 bits of the display RAM column address.	
Column address set lower bit				0	0	0	0	Least significant column address					
(5) Status read	0	0	1	Status				0	0	0	0	Reads the status data	
(6) Display data write	1	1	0							Write data		Writes to the display RAM	
(7) Display data read	1	0	1							Read data		Reads from the display RAM	
(8) ADC select	0	1	0	1	0	1	0	0	0	0	0	1	Sets the display RAM address SEG output correspondence 0: normal, 1: reverse
(9) Display normal/reverse	0	1	0	1	0	1	0	0	1	1	0	1	Sets the LCD display normal/ reverse 0: normal, 1: reverse
(10) Display all points ON/OFF	0	1	0	1	0	1	0	0	1	0	0	1	Display all points 0: normal display 1: all points ON
(11) LCD bias set	0	1	0	1	0	1	0	0	0	1	0	1	Sets the LCD drive voltage bias ratio 0: 1/9 bias, 1: 1/7 bias (ST7565R)
(12) Read-modify-write	0	1	0	1	1	1	0	0	0	0	0	0	Column address increment At write: +1 At read: 0
(13) End	0	1	0	1	1	1	0	1	1	1	0		Clear read/modify/write
(14) Reset	0	1	0	1	1	1	0	0	0	1	0		Internal reset
(15) Common output mode select	0	1	0	1	1	0	0	0	*	*	*		Select COM output scan direction 0: normal direction 1: reverse direction
(16) Power control set	0	1	0	0	0	1	0	1	Operating mode				Select internal power supply operating mode
(17) V ₀ voltage regulator internal resistor ratio set	0	1	0	0	0	1	0	0	Resistor ratio				Select internal resistor ratio(Rb/Ra) mode
(18) Electronic volume mode set	0	1	0	1	0	0	0	0	0	0	0	1	Set the V ₀ output voltage electronic volume register
Electronic volume register set				0	0	Electronic volume value							
(19) Sleep mode set	0	1	0	1	0	1	0	1	1	0	0	1	0: Sleep mode, 1: Normal mode
(20) Booster ratio set	0	1	0	1	1	1	1	1	0	0	0	0	select booster ratio 00: 2x,3x,4x 01: 5x 11: 6x
(21) NOP	0	1	0	1	1	1	0	0	0	1	1		Command for non-operation
(22) Test	0	1	0	1	1	1	1	*	*	*	*		Command for IC test. Do not use this command

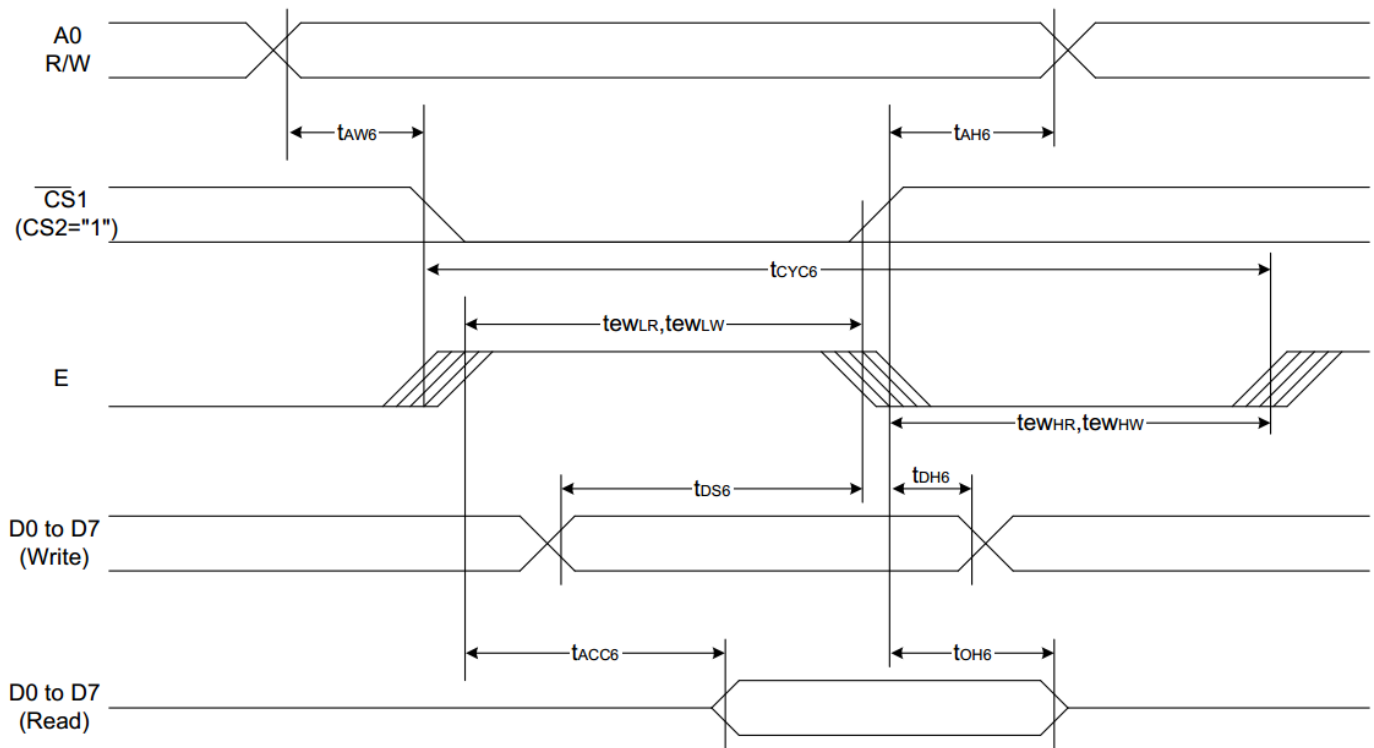
Timing Characteristics

System Bus Read/Write Characteristics 1 (For the 8080 Series MPU)

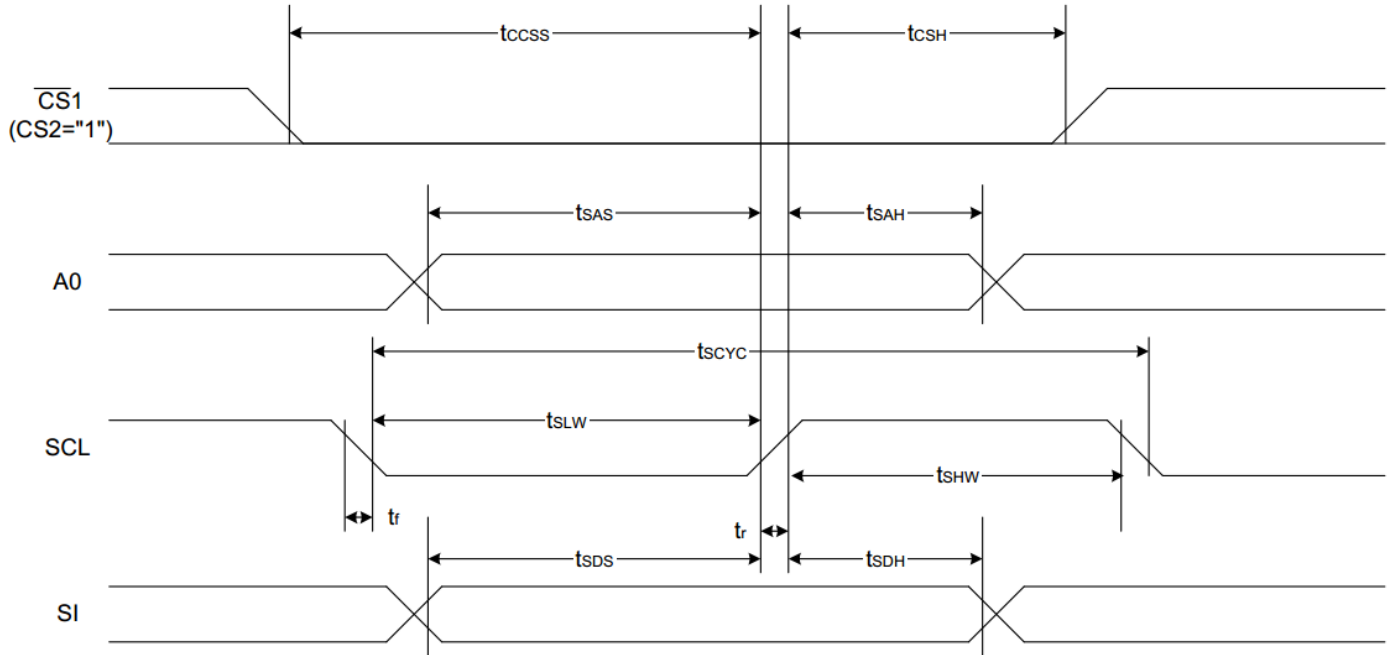


($V_{DD} = 3.3V$, $T_a = -30$ to $85^{\circ}C$)

Item	Signal	Symbol	Condition	Rating		Units
				Min.	Max.	
Address hold time	A0	tAH8		0	—	Ns
Address setup time		tAW8		0	—	
System cycle time		tCYC8		240	—	
Enable L pulse width (WRITE)	WR	tCCLW		80	—	
Enable H pulse width (WRITE)		tCCHW		80	—	
Enable L pulse width (READ)	RD	tCCLR		140	—	
Enable H pulse width (READ)		tCCHR		80	—	
WRITE Data setup time	D0 to D7	tDS8		40	—	
WRITE Address hold time		tDH8		0	—	
READ access time		tACC8	CL = 100 pF	—	70	
READ Output disable time		tOH8	CL = 100 pF	5	50	

System Bus Read/Write Characteristics 2 (For the 6800 Series MPU)

 (V_{DD} = 3.3V, T_a = -30 to 85°C)

Item	Signal	Symbol	Condition	Rating		Units
				Min.	Max.	
Address hold time	A0	t _{AH6}		0	—	ns
Address setup time		t _{AW6}		0	—	
System cycle time		t _{CYC6}		240	—	
Enable L pulse width (WRITE)	WR	t _{EWLW}		80	—	
Enable H pulse width (WRITE)		t _{EWHW}		80	—	
Enable L pulse width (READ)	RD	t _{EWLR}		80	—	
Enable H pulse width (READ)		t _{EWHR}		140	—	
WRITE Data setup time	D0 to D7	t _{DS6}		40	—	
WRITE Address hold time		t _{DH6}		0	—	
READ access time		t _{ACC6}	CL = 100 pF	—	70	
READ Output disable time		t _{OH6}	CL = 100 pF	5	50	

The 4-line SPI Interface


(VDD = 3.3V, Ta = -30 to 85°C)

Item	Signal	Symbol	Condition	Rating		Units
				Min.	Max.	
4-line SPI Clock Period	SCL	T_{scyc}		50	—	ns
SCL "H" pulse width		T_{shw}		25	—	
SCL "L" pulse width		T_{SLW}		25	—	
Address setup time	A0	T_{sAS}		20	—	
Address hold time		T_{sah}		10	—	
Data setup time	SI	T_{sds}		20	—	
Data hold time		T_{sdH}		10	—	
CS-SCL time	CS	T_{css}		20	—	
CS-SCL time		T_{csh}		40	—	

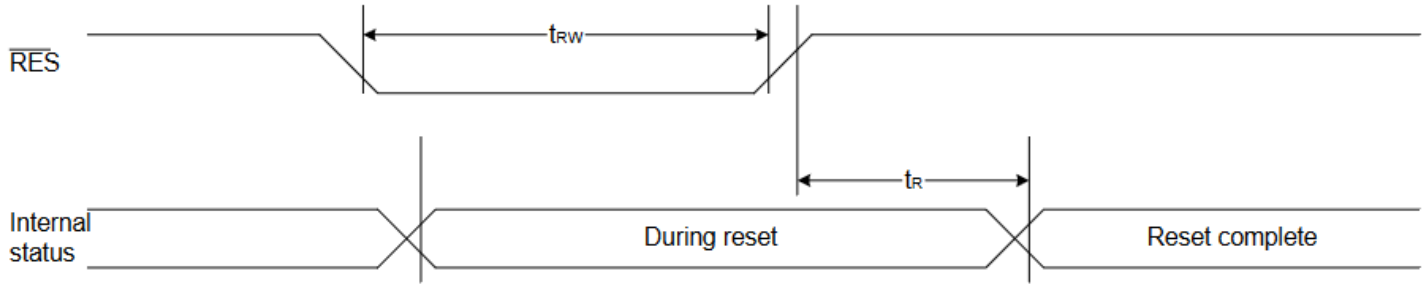
Reset Timing


Figure 41

Table 30

 (V_{DD} = 3.3V, T_a = -30 to 85°C)

Item	Signal	Symbol	Condition	Rating			Units
				Min.	Typ.	Max.	
Reset time		t _R		—	—	1.0	us
Reset "L" pulse width	/RES	t _{RW}		1.0	—	—	us

Table 31

 (V_{DD} = 2.7V, T_a = -30 to 85°C)

Item	Signal	Symbol	Condition	Rating			Units
				Min.	Typ.	Max.	
Reset time		t _R		—	—	2.0	us
Reset "L" pulse width	/RES	t _{RW}		2.0	—	—	us

Example Initialization Program

```

void comm_out(unsigned int c)
{
    CS1 = 0;           //Active Low
    AO = 0;           //LOW = instruction
    delay(1);
    WRT = 0;          // /WR in 8080 mode; R/W in 6800 mode
    P1 = c;
    delay(1);
    WRT = 1;          // /WR in 8080 mode; R/W in 6800 mode
    CS1 = 1;          //inactive
    delay(5);
}

void data_out(unsigned int d)
{
    CS1 = 0;           //Active Low
    AO = 1;           //High = Data
    delay(1);
    WRT = 0;
    //RDD = 1;
    P1 = d;
    delay(1);
    WRT = 1;
    CS1 = 1;          //inactive
}

void init()
{
    RDD = 1;          // /RD in 8080 mode; E in 6800 mode
    WRT = 1;          // /WR in 8080 mode; R/W in 6800 mode
    CS1 = 0;
    RST = 1;          // /RST in 8080 mode; /RES in 6800 mode
    RST = 0;          // /RST in 8080 mode; /RES in 6800 mode
    delay(2);
    RST = 1;          // /RST in 8080 mode; /RES in 6800 mode
    delay(2);
    comm_out(0xA2);   //added 1/9 bias

    comm_out(0xA0);   //ADC segment driver direction (A0=Normal)
    comm_out(0xC8);   //added
    comm_out(0xC0);   //COM output scan direction (C0= Normal)
    comm_out(0x40);   //Operating Mode
    delay(0);
    comm_out(0x25);   //resistor ratio
    delay(0);

    comm_out(0x81);   //electronic volume mode set
    delay(0);
    comm_out(0x19);   //electronic volume register set
    delay(0);
    comm_out(0x2F);   //power control set
    delay(0);
    comm_out(0xAF);   //display ON/OFF - set to ON
}

```



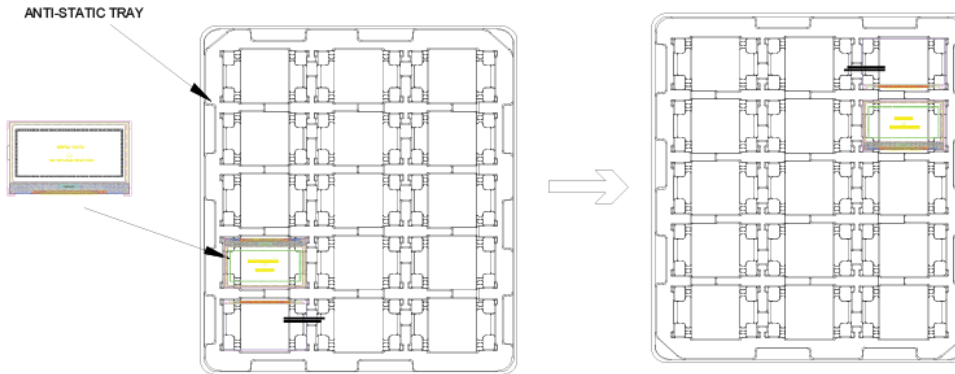
Packing Procedure

1. Packing Materials

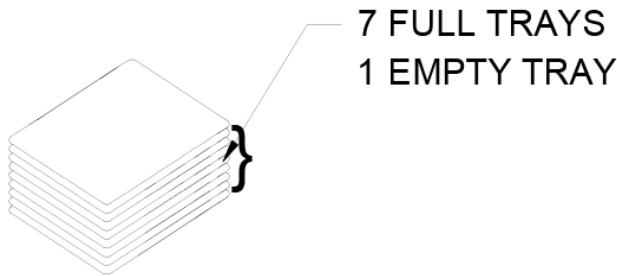
NO.	Item	Dimensions (LxWxH) (mm)	Quantity
1	Tray	366x296x21.1	15
2	Box	382x310x165	105
3	Carton	400x321x363	210

2. Packing Method

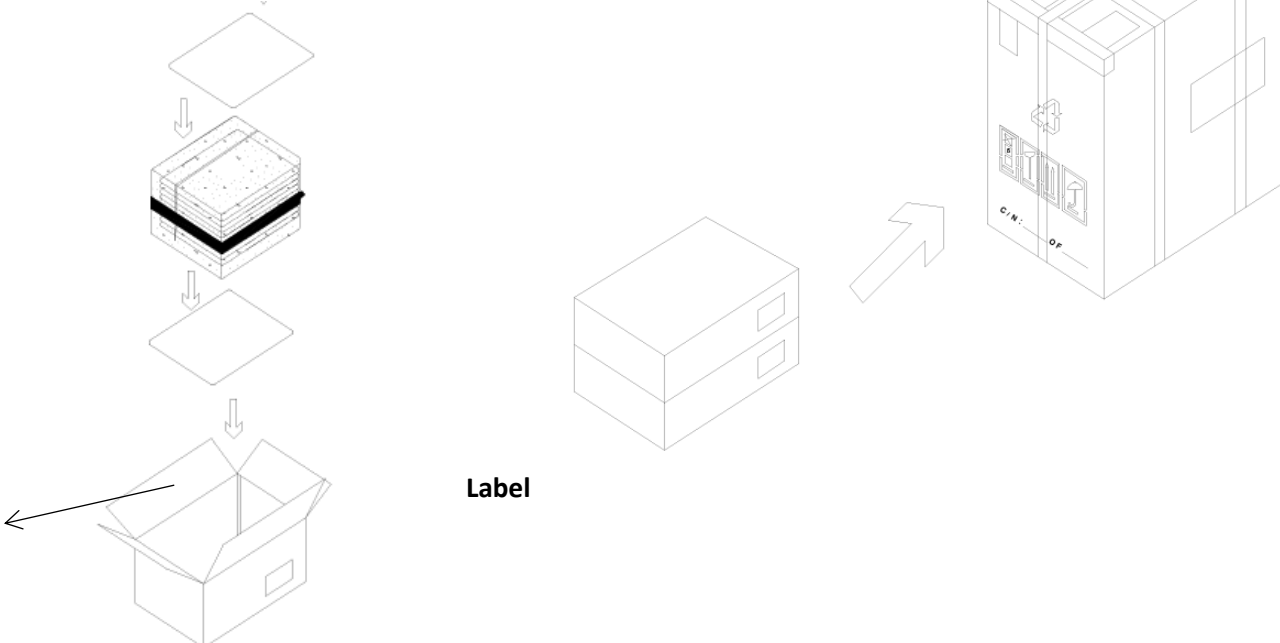
A. Place display on the tray & Rotate Stacked trays by 180°



B.



C.



Quality Information

Test Item	Content of Test	Test Condition	Note
High Temperature storage	Endurance test applying the high storage temperature for a long time.	+80°C , 96hrs	2
Low Temperature storage	Endurance test applying the low storage temperature for a long time.	-30°C , 96hrs	1,2
High Temperature Operation	Endurance test applying the electric stress (voltage & current) and the high thermal stress for a long time.	+70°C , 96hrs	2
Low Temperature Operation	Endurance test applying the electric stress (voltage & current) and the low thermal stress for a long time.	-20°C , 96hrs	1,2
High Temperature / Humidity Operation	Endurance test applying the electric stress (voltage & current) and the high thermal with high humidity stress for a long time.	+40°C , 90% RH , 96hrs	1,2
Thermal Shock resistance	Endurance test applying the electric stress (voltage & current) during a cycle of low and high thermal stress.	-30°C, 30min -> 25°C, 5min -> 80°C, 30min = 1 cycle For 10 cycles	
Vibration test	Endurance test applying vibration to simulate transportation and use.	Frequency: 250 times/minute Swing Distance: 1 inch Direction: Stochastic For 45 min	3
Static electricity test	Endurance test applying electric static discharge.	AIR:± 8KV;Touch Glass± 4KV 5 times	

Note 1: No condensation to be observed.

Note 2: Conducted after 4 hours of storage at 25°C, 0%RH.

Note 3: Test performed on product itself, not inside a container.