

NHD-5.7-320240WFB-ATXI#-1

TFT (Thin-Film-Transistor) Color Liquid Crystal Display Module

NHD-	Newhaven Display
5.7-	5.7" Diagonal
320240-	320xRGBx240 Pixels
WFB-	Model
A-	Built-in driver, No Controller
T-	White LED backlight
X-	TFT
I-	12:00 Optimal View, Wide Temp
#-1	RoHS Compliant

Newhaven Display International, Inc.

2661 Galvin Ct.

Elgin IL, 60124

Ph: 847-844-8795

Fax: 847-844-8796

www.newhavendisplay.com

nhtech@newhavendisplay.com

nhsales@newhavendisplay.com

Document Revision History

Revision	Date	Description	Changed by
0	5/23/12	Initial Release	AK
1	5/29/12	Optical characteristics updated	AK
2	4/7/17	Viewing Angle Clarification	SB
3	5/29/19	Supply Current & Brightness Updated	SB

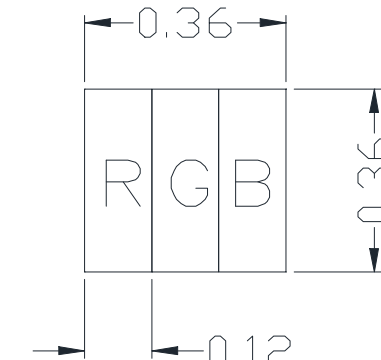
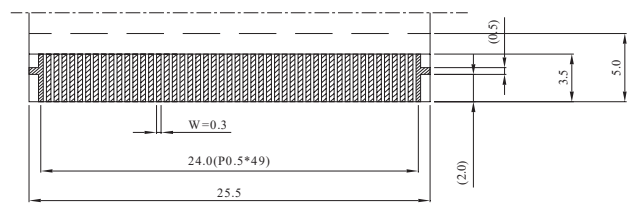
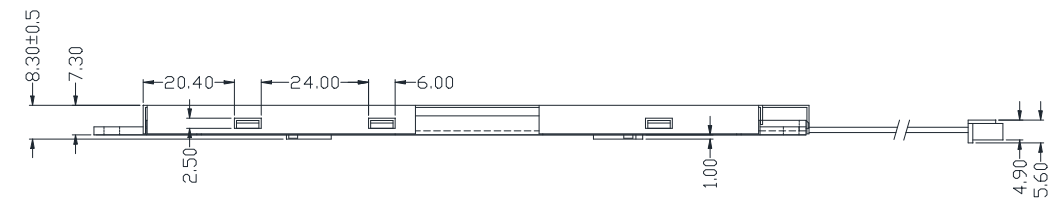
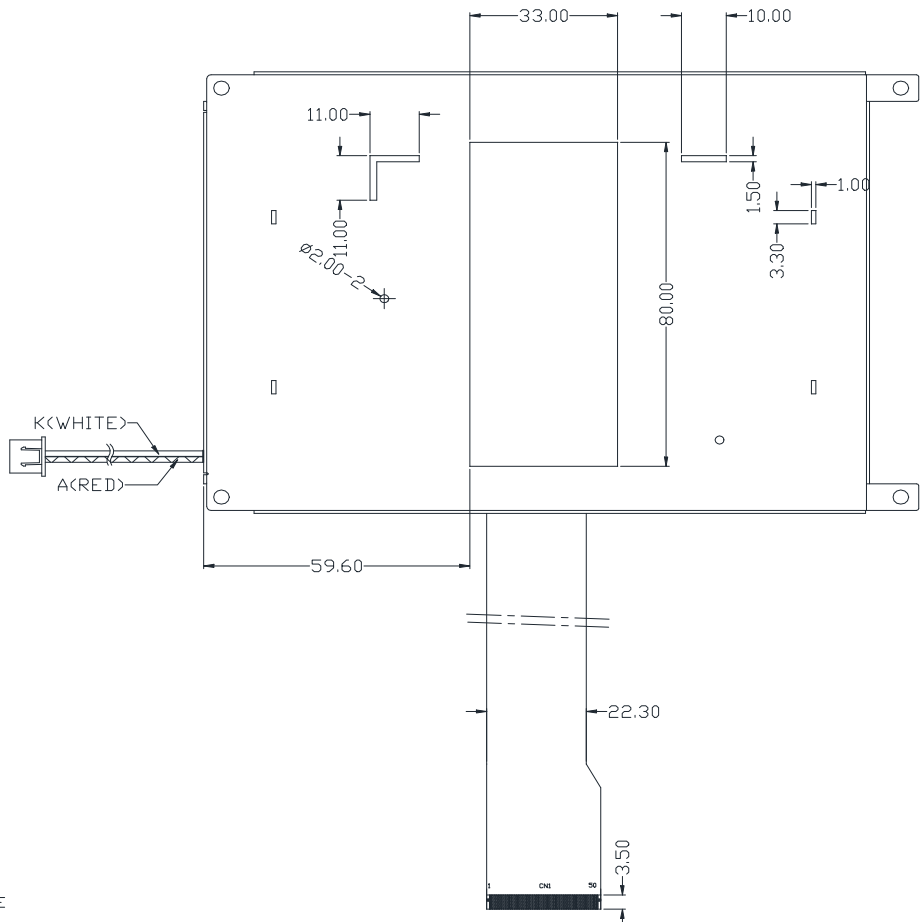
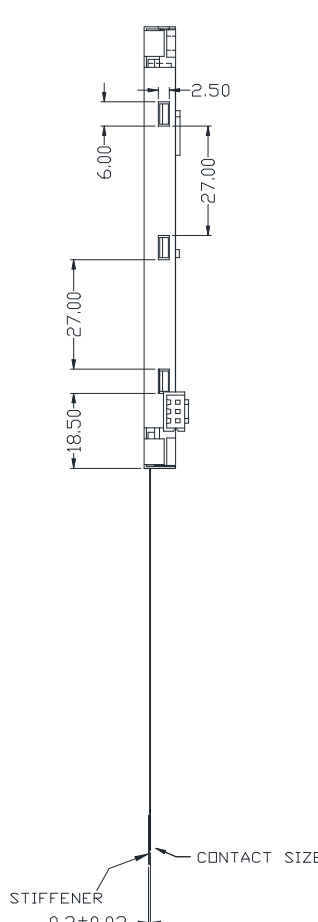
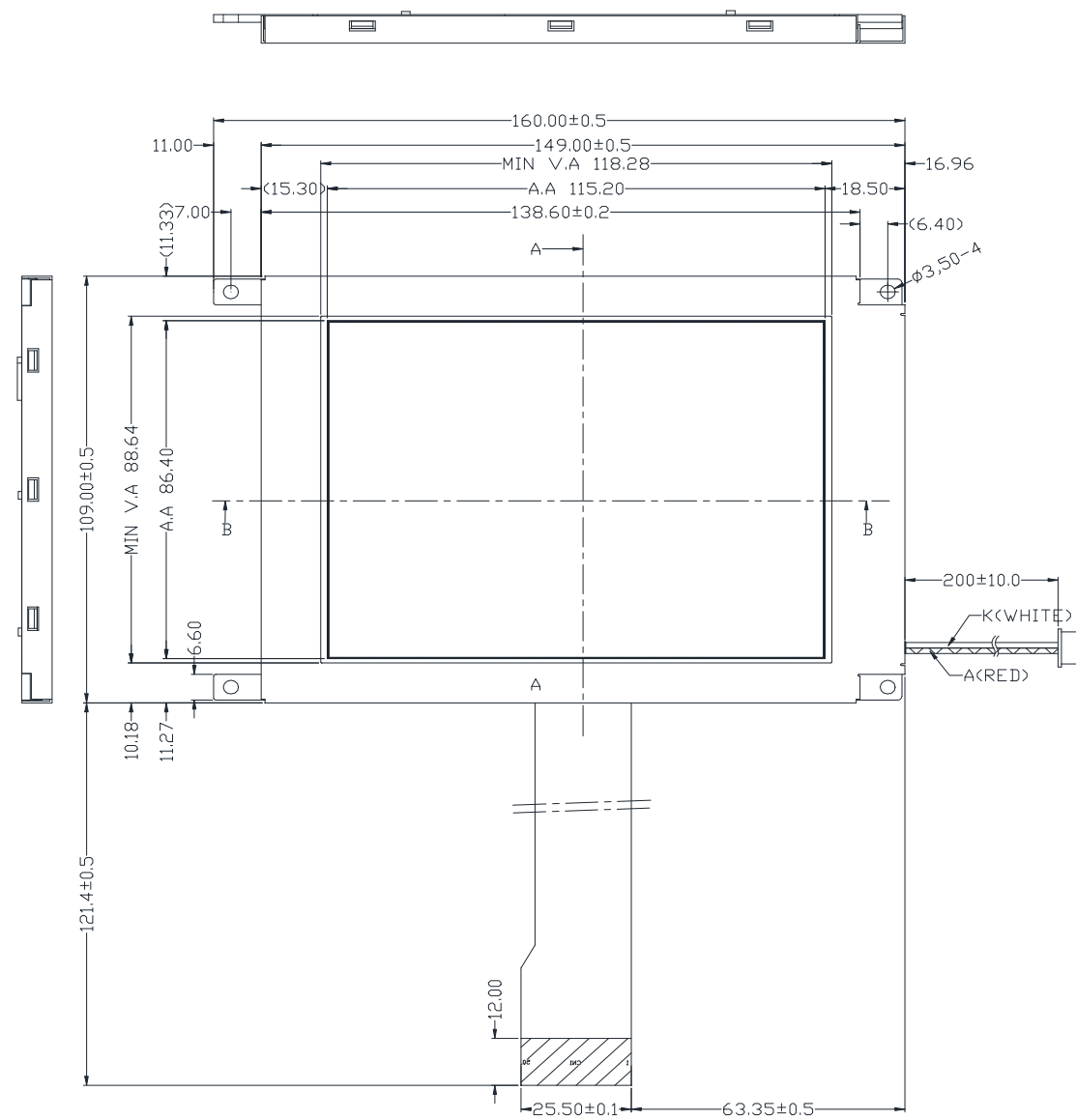
Functions and Features

- 320xRGBx240 resolution
- LED backlight
- 24-bit Parallel RGB interface
- Built-in Source Driver: HX8218-A
- Built-in Gate Driver: HX8615

SYMBOL	REVISION	DATE

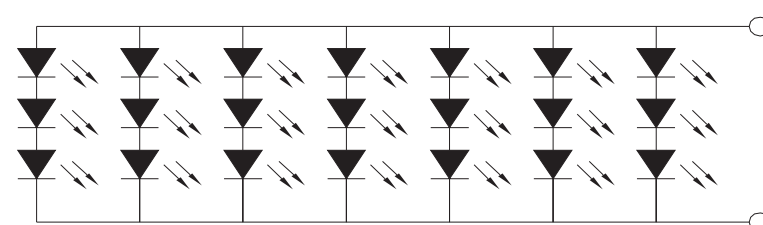
Pin Assignment

Pin No.	Symbol
1	IF1
2	IF2
3	POL
4	RESET
5	SPENA
6	SPCL
7	SPDA
8	B0
9	B1
10	B2
11	B3
12	B4
13	B5
14	B6
15	B7
16	G0
17	G1
18	G2
19	G3
20	G4
21	G5
22	G6
23	G7
24	R0
25	R1
26	R2
27	R3
28	R4
29	R5
30	R6
31	R7
32	Hsync
33	Vsync
34	Data CLK
35	AVDD(analog)
36	AVDD(analog)
37	VDD(Digital)
38	VDD(Digital)
39	NPC
40	VGL
41	VGL
42	UD
43	VGH
44	LRC
45	GND
46	VCOM
47	VCOM
48	ENB
49	GND
50	GND



Notes:

- Display Size: 5.7" TFT (320x240 Resolution)
- Optimal View: 12:00
- Display Mode: Transmissive / Normally White / Anti-Glare
- Driver IC: HX8218-A
- Supply Voltage: 3.3 V
- Backlight: White LED / 9.9V / 140 mA (Typ)
- Brightness: 500 cd/m² (Typ)



STANDARD TOLERANCE: (UNLESS OTHERWISE SPECIFIED)	NEWHAVEN DISPLAY INTERNATIONAL	
	LINEAR: ±0.3mm	DRAWING/PART NUMBER: NHD-5.7-320240WFB-ATXI-1
UNLESS OTHERWISE SPECIFIED: - DIMENSIONS ARE IN MILLIMETERS - THIRD ANGLE PROJECTION	DRAWN BY: S. Baxi	APPROVED BY: S. Baxi
	DRAWN DATE: 5/29/18	APPROVED DATE: 5/29/18
DO NOT SCALE DRAWING		REVISION: 1.0 SIZE: A3 SCALE: NS
THIS DRAWING IS SOLELY THE PROPERTY OF NEWHAVEN DISPLAY INTERNATIONAL, INC. THE INFORMATION IT CONTAINS IS NOT TO BE DISCLOSED, REPRODUCED OR COPIED IN WHOLE OR PART WITHOUT WRITTEN APPROVAL FROM NEWHAVEN DISPLAY.		

Pin Description

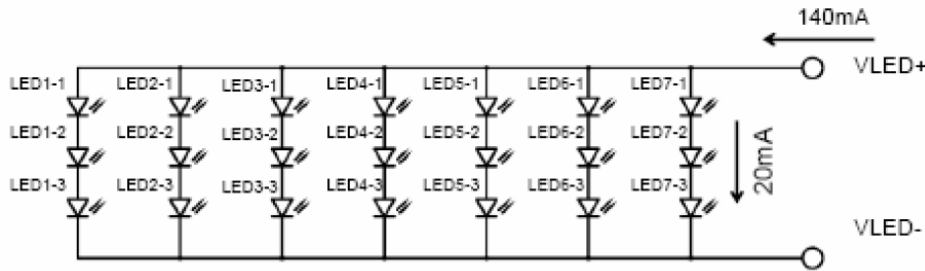
Pin No.	Symbol	I/O	Description	Remark
1	IF1	I	Input data format control (Note1)	Note1
2	IF2	I	Input data format control (Note1)	Note1
3	POL	O	Polarity Signal connect to VCOM driving circuit.	Note3
4	RESET	I	Hardware reset.	
5	SPENA	I	Chip select	Note2
6	SPCL	I	Serial Clock	Note2
7	SPDA	I/O	Serial Data	
8	B0	I	Blue Data bit (LSB)	
9	B1	I	Blue Data bit	
10	B2	I	Blue Data bit	
11	B3	I	Blue Data bit	
12	B4	I	Blue Data bit	
13	B5	I	Blue Data bit	
14	B6	I	Blue Data bit	
15	B7	I	Blue Data bit(MSB)	
16	G0	I	Green Data bit(LSB)	
17	G1	I	Green Data bit	
18	G2	I	Green Data bit	
19	G3	I	Green Data bit	
20	G4	I	Green Data bit	
21	G5	I	Green Data bit	
22	G6	I	Green Data bit	
23	G7	I	Green Data bit(MSB)	
24	R0	I	Red Data bit(LSB)	
25	R1	I	Red Data bit	
26	R2	I	Red Data bit	
27	R3	I	Red Data bit	
28	R4	I	Red Data bit	
29	R5	I	Red Data bit	
30	R6	I	Red Data bit	
31	R7	I	Red Data bit(MSB)	
32	Hsync	I	Horizontal synchronous signal	
33	Vsync	I	Vertical synchronous signal	
34	Data CLK	I	Dot data clock	
35	AVDD(analog)	I	Analog power: 4.5V-5.5V	
36	AVDD(analog)	I	Analog power: 4.5V-5.5V	
37	VDD(digital)	I	Digital power: 3V-3.5V	
38	VDD(digital)	I	Digital power: 3V-3.5V	
39	NPC	O	NTSC/PAL mode Auto detection result H:NTSC/L:PAL	
40	VGL	I	Gate off power	
41	VGL	I	Gate off power	
42	UD	I	Up/Down scan setting. H: Reverse scan / L: Normal scan	
43	VGH	I	Gate on power	
44	LRC	I	Shift direction of device internal shift register control.	
45	GND	I	GROUND	
46	VCOM	I	VCOM driving input	Note3
47	VCOM	I	VCOM driving input	
48	ENB	I	Data enable input. Normally pull low.	Note4
49	GND	I	GROUND	
50	GND	I	GROUND	

Recommended LCD connector: 50-pin, 0.5mm pitch FFC connector. Molex 54132-5097

Backlight:

Pin No.	Symbol	Connection	Description
1	VDD	Power Supply	Red, LED Anode (140mA @ 9.9V)
2	NC	-	No Connect
3	VSS	Power Supply	White, LED Cathode

Backlight connector: JST p/n: XHP-3 **Mates with:** JST p/n: B 3B-XH-A



Note 1: Input data format

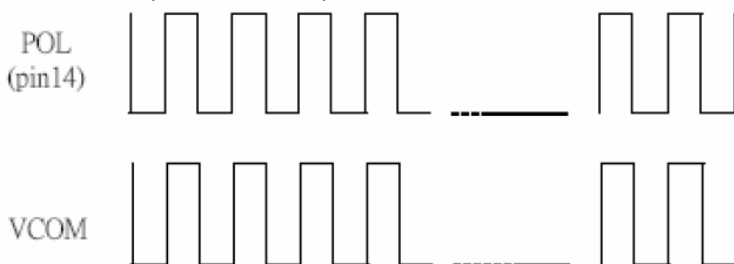
IF2, IF1	Input data format
L,L (default)	Serial RGB
L,H	Parallel RGB
H,L	CCIR601
H,H	CCIR656

Note 2: Pins 5 and 6 typically pulled high

Note 3: Polarity of VCOM (pins 46,47) should be generated from POL (pin 3)

Note 4: For digital RGB input data format, both SYNC mode and DE+SYNC mode are supported. If ENB signal is fixed low, SYNC mode is used. Otherwise, DE+SYNC mode is used.

Note 5: The phase of POL (pin 3):



Driver Information

Built-in Source Driver HX8218-A: http://www.newhavendisplay.com/app_notes/HX8218.pdf

Built-in Gate Driver HX8615: http://www.newhavendisplay.com/app_notes/HX8615.pdf

Electrical Characteristics

Item	Symbol	Condition	Min.	Typ.	Max.	Unit
Operating Temperature Range	T _{OP}	Absolute Max	-20	-	+70	°C
Storage Temperature Range	T _{ST}	Absolute Max	-30	-	+80	°C
Supply Voltage for Logic	V _{DD}		3.0	3.3	3.6	V
Supply Voltage for LCD & Logic	AV _{DD}		4.5	5.0	5.5	V
"H" Level input	V _{IH}		0.7*V _{DD}	-	V _{DD}	V
"L" Level input	V _{IL}		V _{SS}	-	0.3*V _{DD}	V
TFT Gate ON operating voltage	V _{GH}	Duty=1/240	-	15	-	V
TFT Gate OFF operating voltage	V _{GL}	Duty=1/240	-	-10	-	V
VCOM Driving Voltage (Note 6)	V _{COM}	Duty=1/240	-2.0	-	5.5	V
Supply Current for LCD	I _{DD}	VDD=3.3V,	5	17	25	mA
Supply Current for Analog	I _{AVDD}	AVDD=5V,	-	4.7	7	mA
Supply Current for Gate ON	I _{GH}	VGH=15V,	-	0.05	0.1	mA
Supply Current for Gate OFF	I _{GL}	VGL=-10V	-	0.05	0.1	mA
Backlight Supply Current	I _{LED}	-	-	140	175	mA
Backlight Supply Voltage	V _{LED}	I _{LED} = 140 mA	9.0	9.9	10.5	V
Backlight Lifetime		T _{OP} = 25°C	-	50K		Hr

Note 6: VCOM must be adjusted to optimize display quality, contrast ratio, etc.

Optical Characteristics

Item	Symbol	Condition	Min.	Typ.	Max.	Unit
Optimal Viewing Angles	Top	CR ≥ 5	-	70	-	°
	Bottom		-	50	-	°
	Left		-	70	-	°
	Right		-	70	-	°
Contrast Ratio	CR	-	150	250	-	-
Luminance	L _V	I _{LED} = 140 mA	400	500	-	cd/m ²
Response Time	Rise	T _{OP} = 25°C	-	15	-	ms
	Fall		-	30	-	ms

Timing Characteristics

CCIR601/656 Interface

Input Signal Characteristics

PARAMETER	Symbol	Min.	Typ.	Max.	Unit
CLK period	T_{OSC}	-	37	-	ns
Data setup time	T_{SU}	12	-	-	ns
Data hold time	T_{HD}	12	-	-	ns

Hardware Reset Timing

PARAMETER	Symbol	Min.	Typ.	Max.	Unit
RESET low pulse width	T_{RSB}	10	-	-	μ S

Output Signal Characteristics

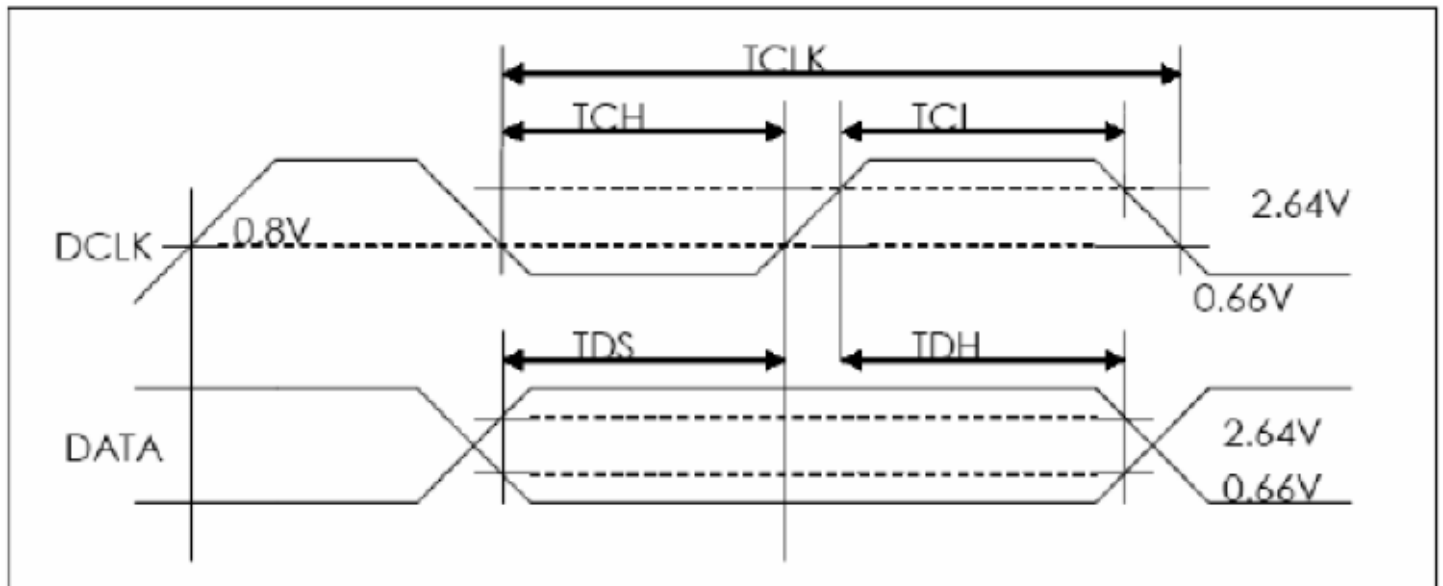
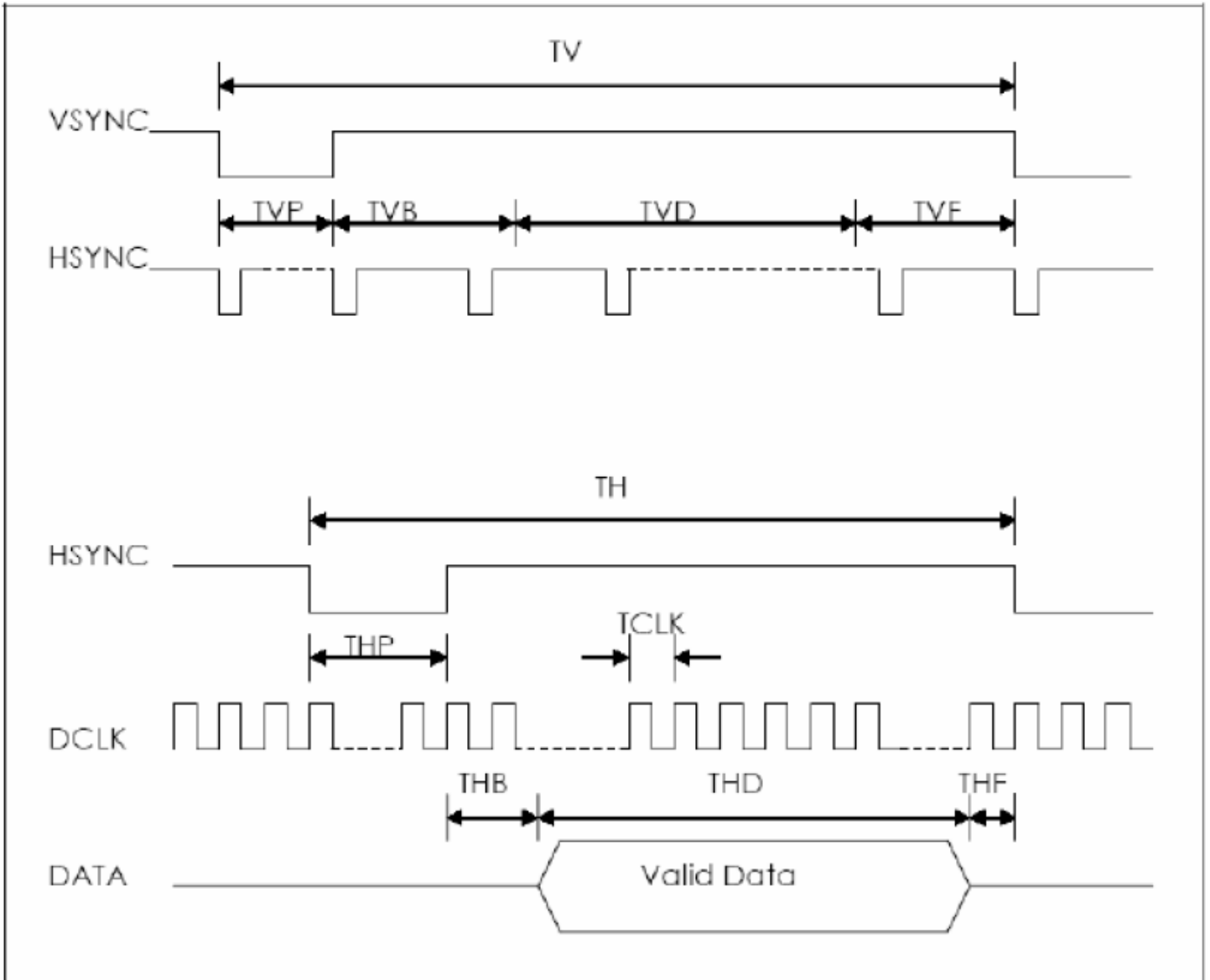
PARAMETER	Symbol	Min.	Typ.	Max.	Unit
Rising time	T_r	-	-	10	ns
Falling time	T_f	-	-	10	ns
Internal STH setup time	T_{SUS}	12	-	-	ns
Internal STH hold time	T_{HDS}	12	-	-	ns
Internal data setup time	T_{SUD}	60	-	-	ns
Internal data hold time	T_{HDD}	40	-	-	ns
OEH pulse width	T_{OEH}	-	1248	-	ns
OEV pulse width	T_{OEV}	-	4992	-	ns
CKV pulse width	T_{CKV}	-	3744	-	ns
Hsync – DEH time	T_1	-	4368	-	ns
Hsync – CKV time	T_2	-	2496	-	ns
Hsync – OEV time	T_3	-	624	-	ns
Vsync – setup time	T_{SUV}		1872	-	ns
Vsync – pulse time	T_{STV}		1	-	T_H
Vsync – STV time	NTSC		19	-	T_H
	PAL		27	-	T_H
OEH – STV time	T_{HE}	-	2	-	T_H
Output settling time	T_{OES}	-	12	20	μ S

24-bit Parallel RGB Interface

AC Timing Characteristics

Signal	Item		Symbol	Min	Typ	Max	Unit
Dclk	Frequency		Dclk	-	6.4	-	MHZ
	High Time		Tch	-	78	-	ns
	Low Time		Tcl	-	78	-	ns
Data	Setup Time		Tds	12	-	-	ns
	Hold Time		Tdh	12	-	-	ns
Hsync	Period		TH	-	408	-	DCLK
	Pulse Width		Thp	-	30	-	DCLK
	Back-Porch		Thb	-	38	-	DCLK
	Display Period		Thd	-	320	-	DCLK
	Front-Porch		Thf	-	20	-	DCLK
Vsync	Period	NTSC	Tv	-	262.5	-	TH
		PAL			312.5		
	Pulse Width		Tvp	1	3	5	TH
	Back-Porch	NTSC	Tvb	-	15	-	TH
		PAL			23		
	Display Period		Tvd	-	240	-	TH
	Front-Porch	NTSC	Tvf	-	4.5	-	TH
		PAL			46.5		

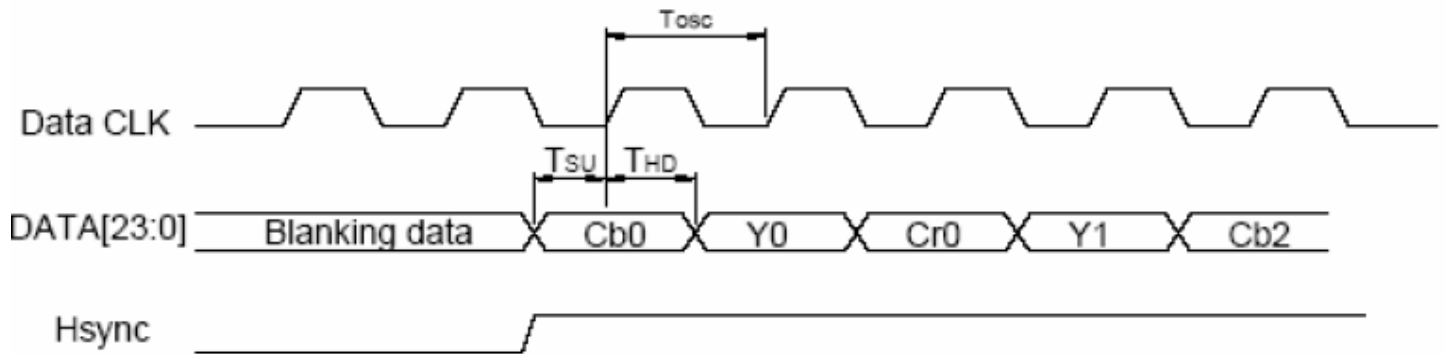
AC Timing Diagrams



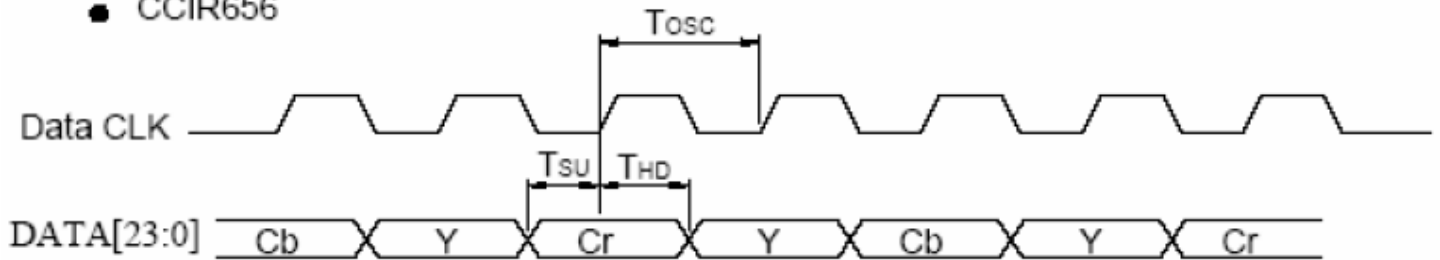
Waveforms

Clock and Data waveform

- CCIR601(HS_POL="L" in Register R2)



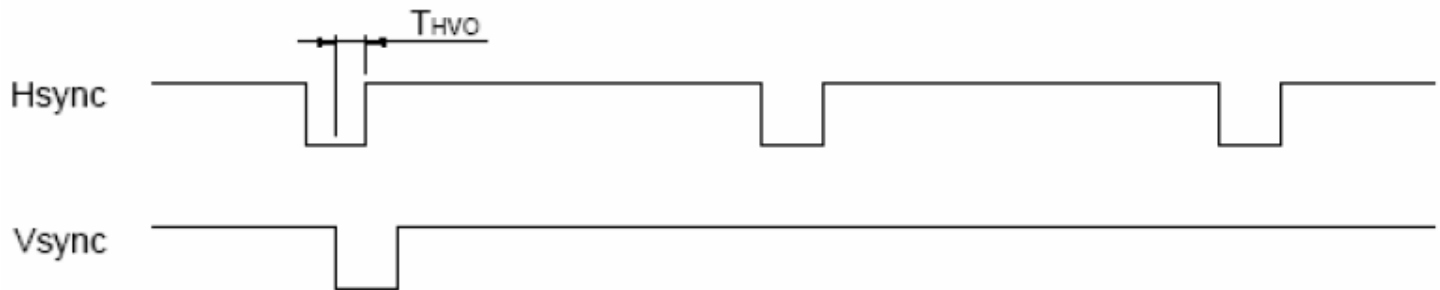
- CCIR656



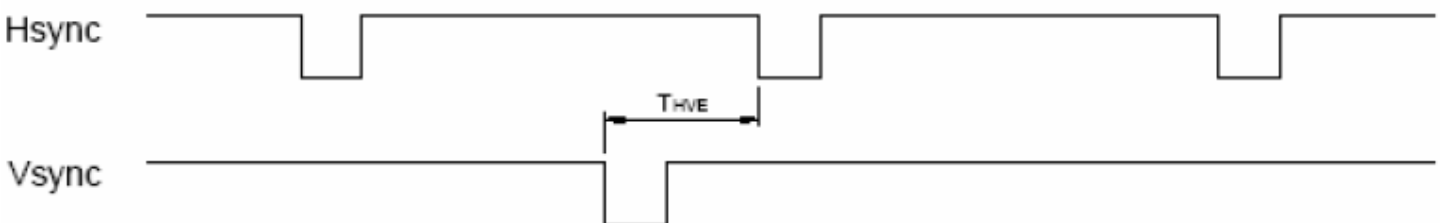
Digital/Analog RGB timing waveform

Hsync and Vsync Timing

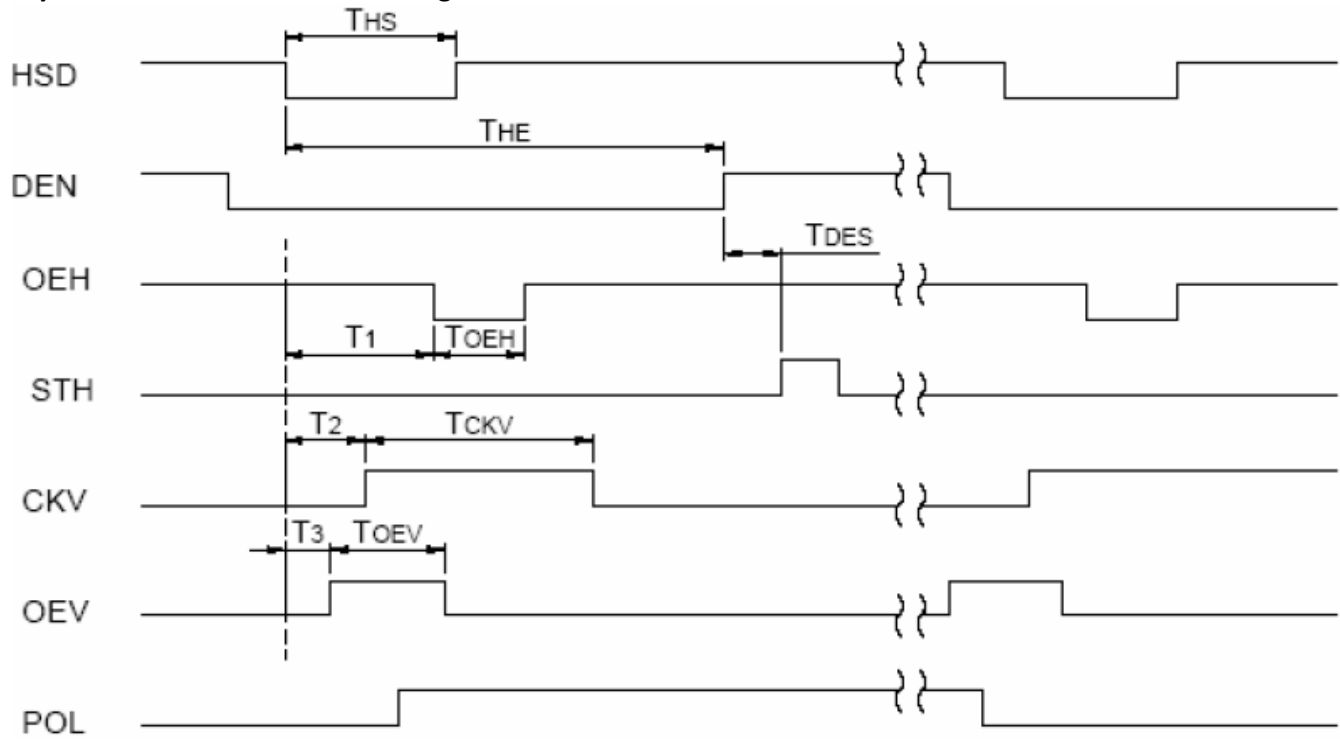
- Odd field



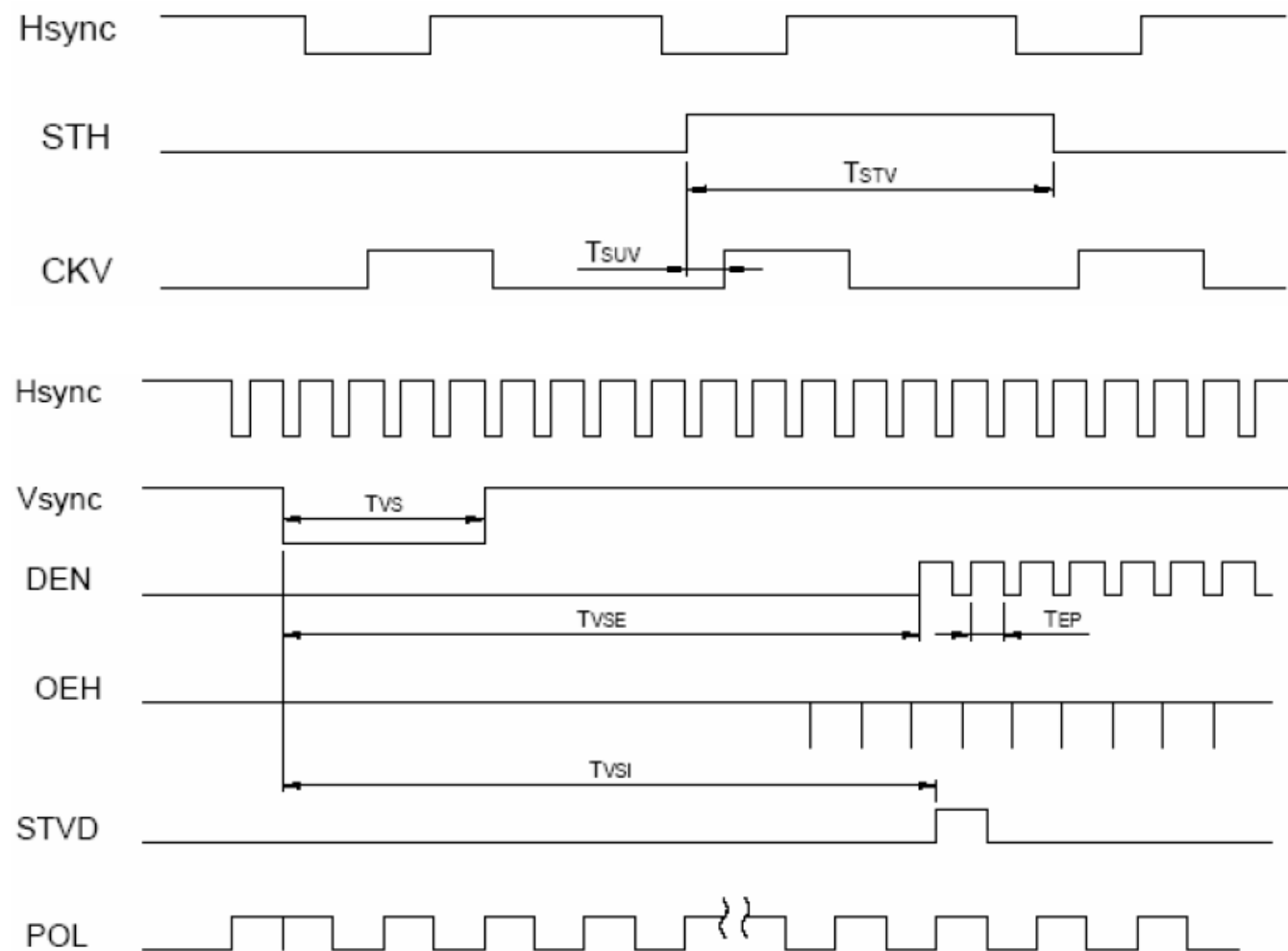
- Even field



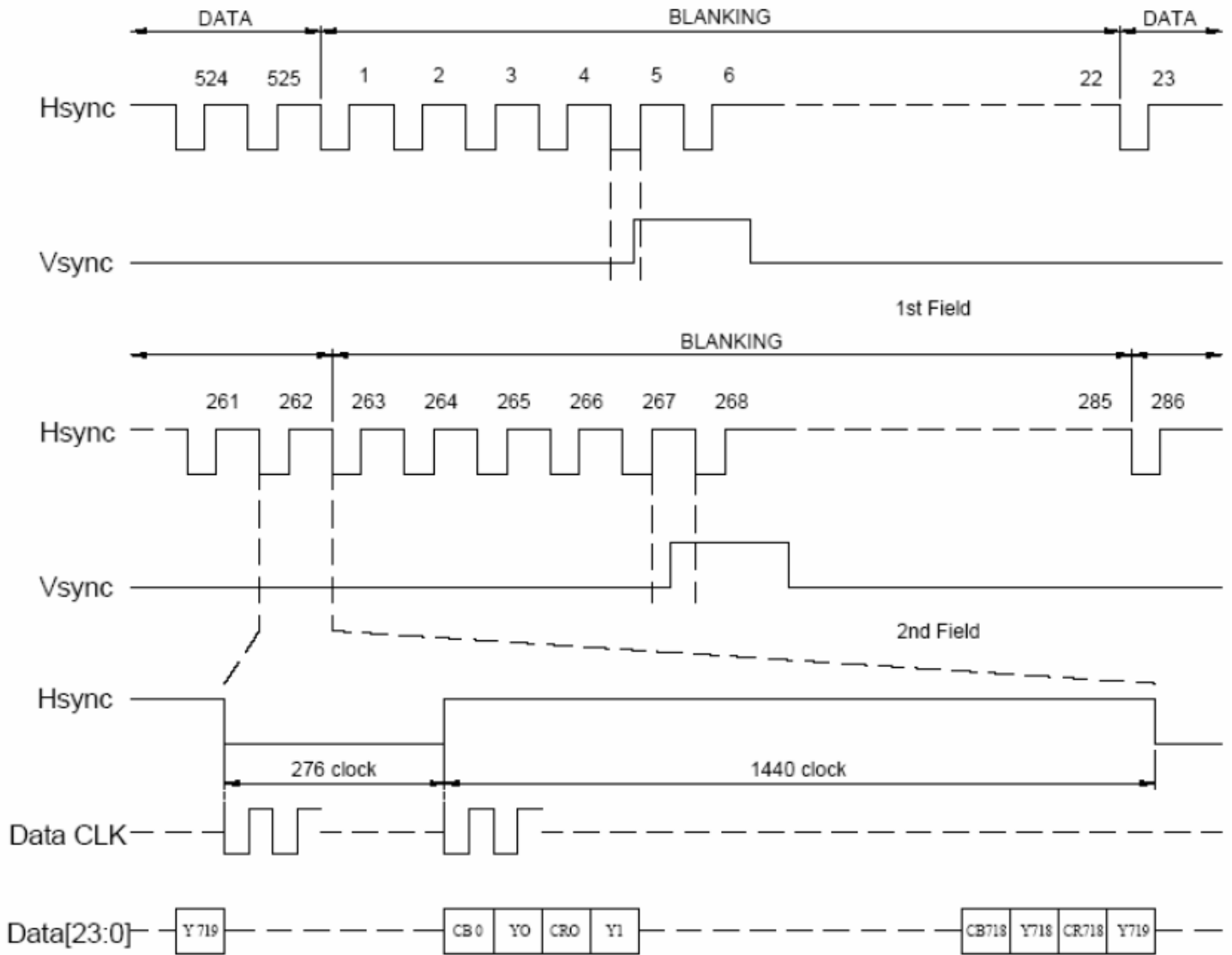
Hsync and Horizontal Control Timing Waveform



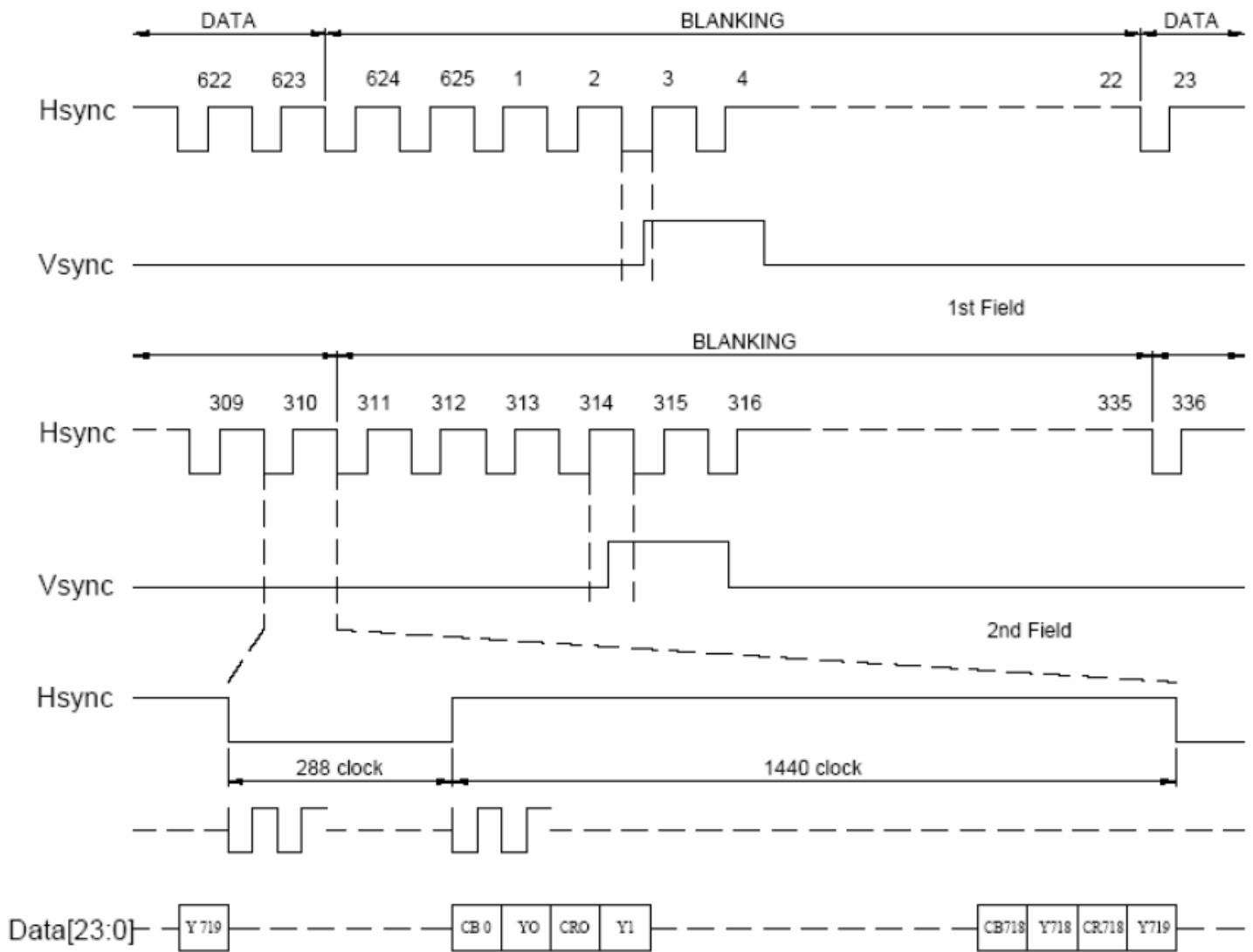
Hsync and Vertical Shift Clock Timing Waveform



CCIR601 Timing Waveform (VS_POL = "H", HS_POL = "L" in register R2)

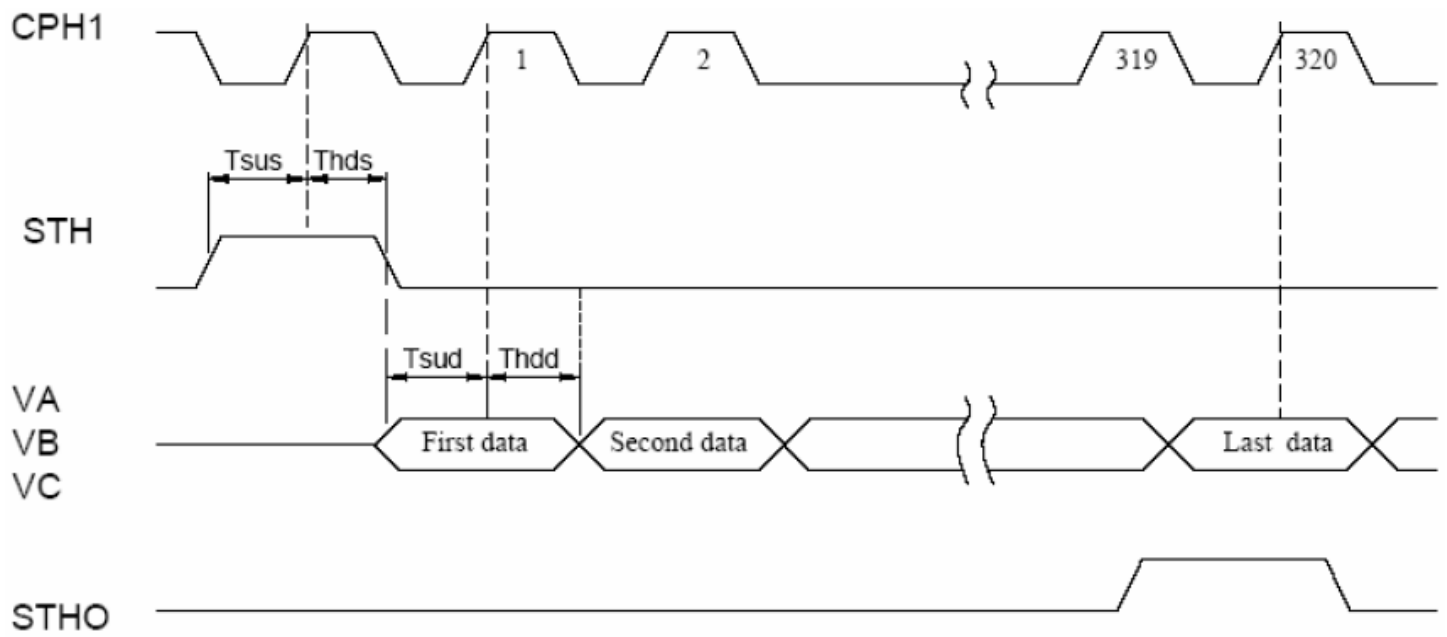


ITU-BT.601 NTSC Input Timing

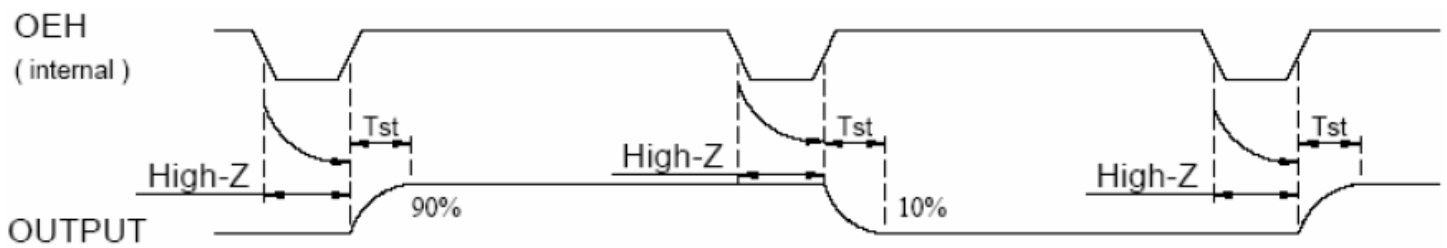


ITU-BT.601 PAL Input Timing

Clock and Start Pulse Timing Waveform

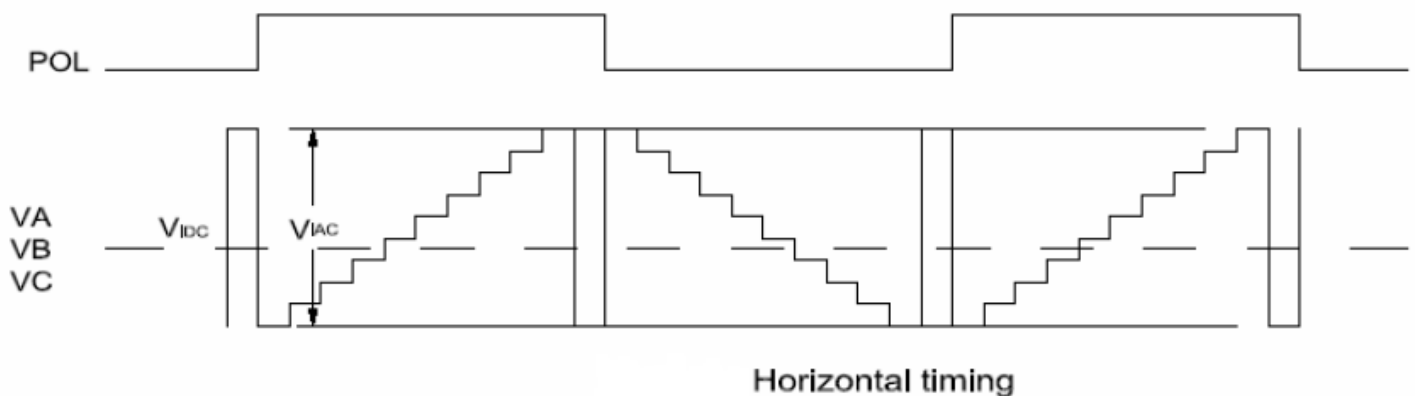


OEH and Data Output timing Waveform



Analog Video Signal Characteristics

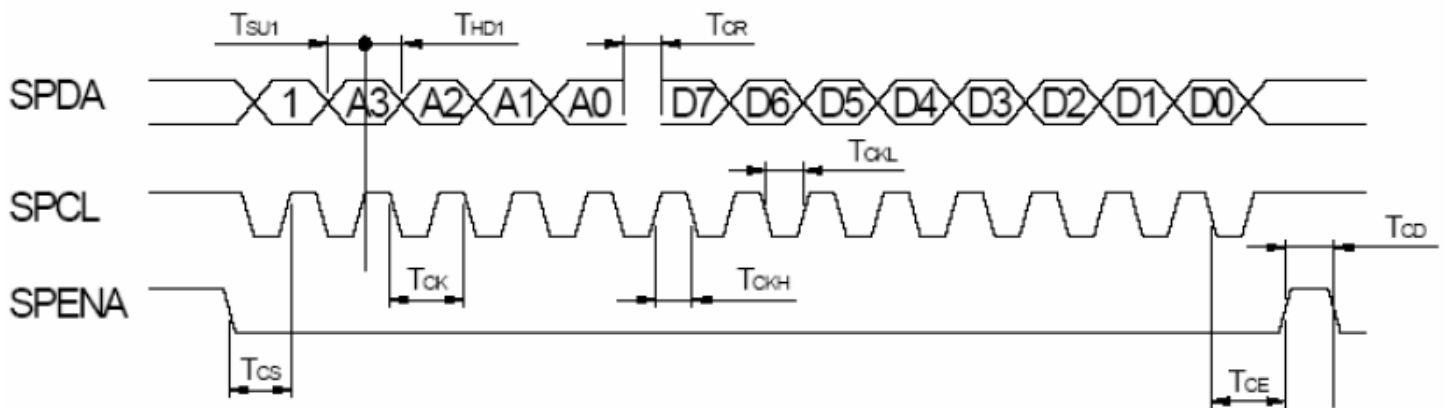
PARAMETER	Symbol	Min.	Typ.	Max.	Unit
Video signal amplitude (VA, VB, VC)	V_{IAC}	-	3.81	-	V
	V_{IDC}	-	2.385	-	V



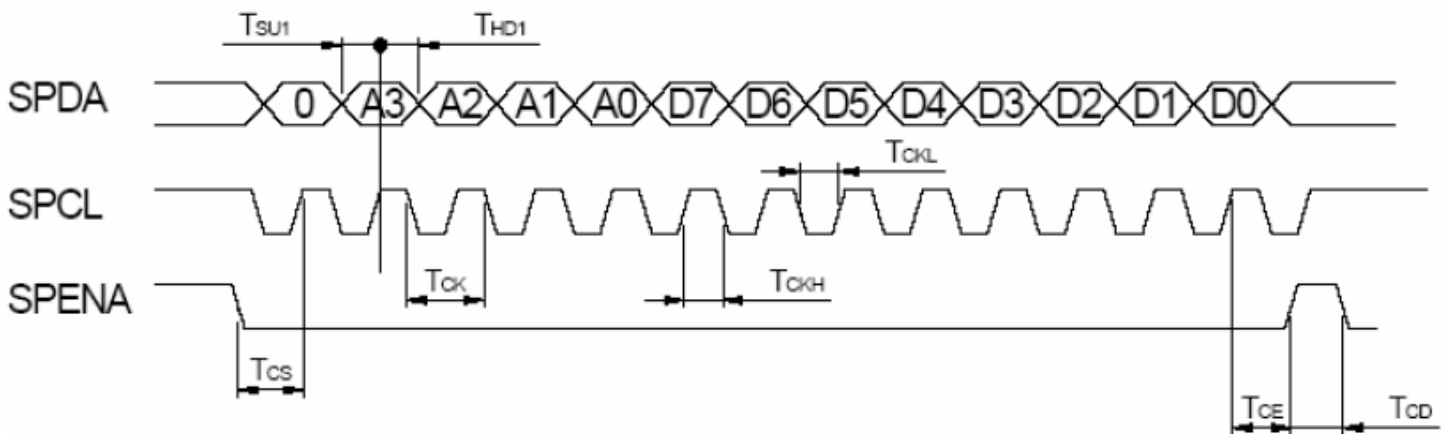
SPI Timing Characteristics

PARAMETER	Symbol	Min.	Typ.	Max.	Unit
SPCL period	T_{CK}	60	-	-	ns
SPCL high width	T_{CKH}	30	-	-	ns
SPCL low width	T_{CKL}	30	-	-	ns
Data setup time	T_{SU1}	12	-	-	ns
Data hold time	T_{HD1}	12	-	-	ns
SPENA to SPCK setup time	T_{CS}	20	-	-	ns
SPENA to SPDA hold time	T_{CE}	20	-	-	ns
SPENA high pulse width	T_{CD}	50	-	-	ns
SPDA output latency	T_{CR}		1/2	-	T_{CK}

● SPI "read" timing

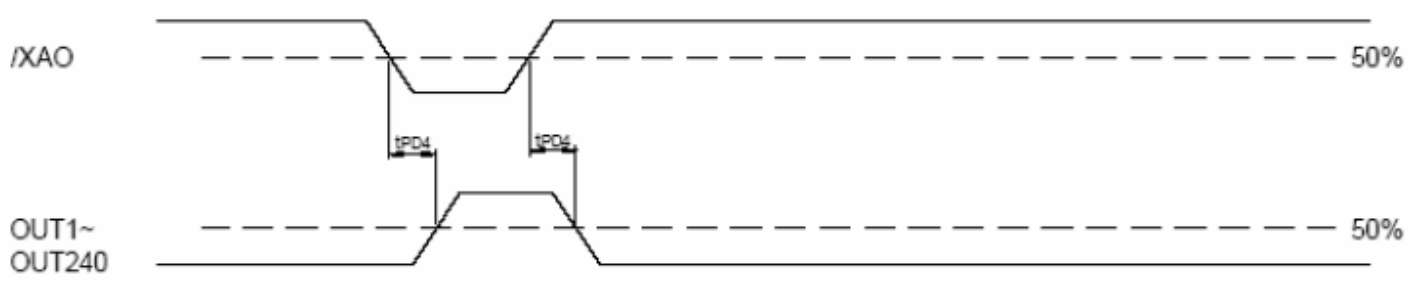
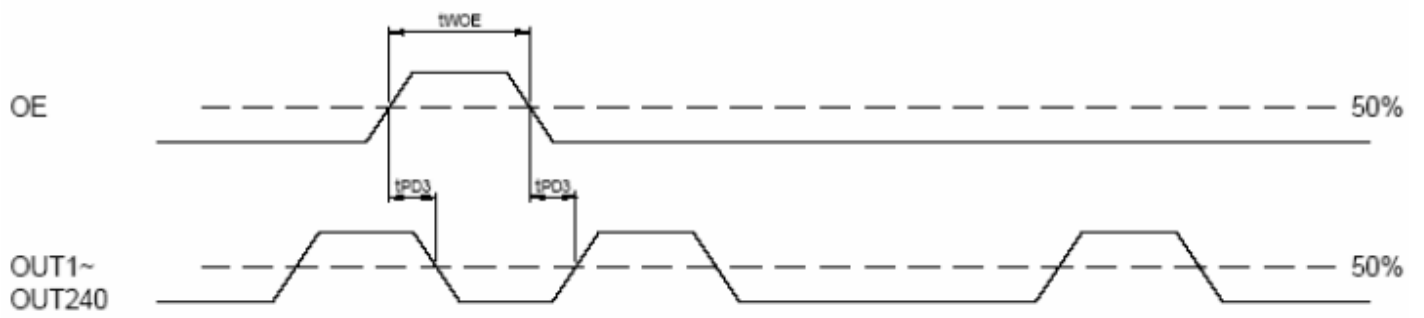
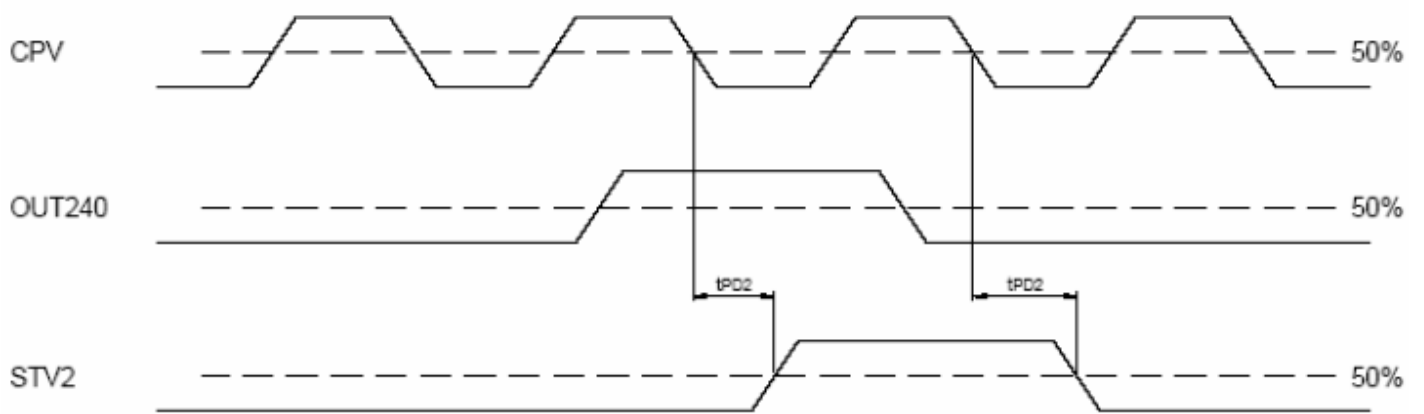
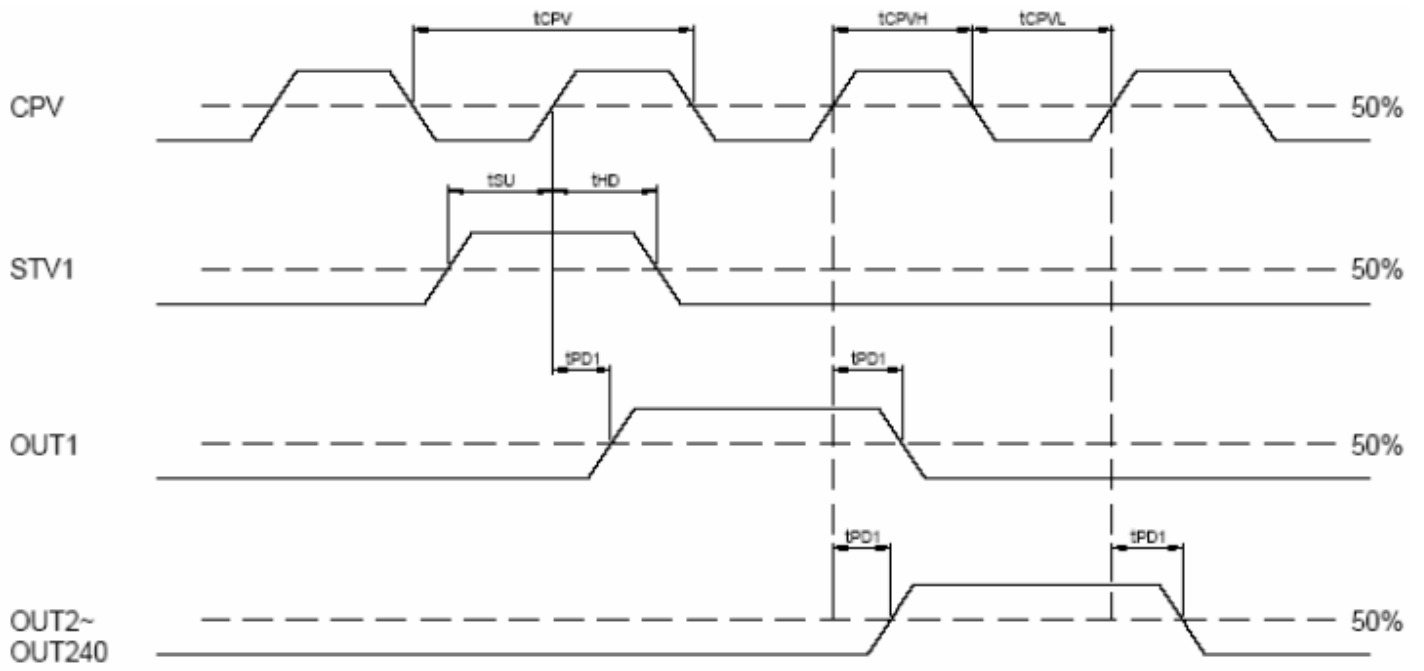


● SPI "write" timing



Gate Driver Timing Chart

Parameter	Symbol	Condition	Spec		Unit
			Min.	Max.	
Operation frequency	tCPV		5	-	μ s
CPV pulse width	tCPVH,tCPVL	50%duty cycle	2.5	-	
OE pulse width	twOE		1	-	
Data setup time	tsu		0.4	-	us
Data hold time	thd		0.7	-	
Output delay time	tpd1	CL=300pF	-	1	
Output delay time	tpd2	CL=300pF	-	0.8	
Output delay time	tpd3	CL=300pF	-	0.8	
Output delay time	tpd4	CL=300pF	-	10	



Quality Information

Test Item	Content of Test	Test Condition	Note
High Temperature storage	Endurance test applying the high storage temperature for a long time.	+80°C , 240hrs	2
Low Temperature storage	Endurance test applying the low storage temperature for a long time.	-30°C , 240hrs	1,2
High Temperature Operation	Endurance test applying the electric stress (voltage & current) and the high thermal stress for a long time.	+70°C 240hrs	2
Low Temperature Operation	Endurance test applying the electric stress (voltage & current) and the low thermal stress for a long time.	-20°C , 240hrs	1,2
High Temperature / Humidity Operation	Endurance test applying the electric stress (voltage & current) and the high thermal with high humidity stress for a long time.	+60°C , 90% RH , 240hrs	1,2
Thermal Shock resistance	Endurance test applying the electric stress (voltage & current) during a cycle of low and high thermal stress.	-20°C,30min -> 25°C,5min -> 70°C,30min = 1 cycle 10 cycles	
Vibration test	Endurance test applying vibration to simulate transportation and use.	10-55Hz , 15mm amplitude. 60 sec in each of 3 directions X,Y,Z For 15 minutes	3
Static electricity test	Endurance test applying electric static discharge.	VS=800V, RS=1.5kΩ, CS=100pF One time	

Note 1: No condensation to be observed.

Note 2: Conducted after 4 hours of storage at 25°C, 0%RH.

Note 3: Test performed on product itself, not inside a container.

Precautions for using LCDs/LCMs

See Precautions at www.newhavendisplay.com/specs/precautions.pdf

Warranty Information and Terms & Conditions

http://www.newhavendisplay.com/index.php?main_page=terms