

PRELIMINARY DATASHEET



48 x 48mm

### Features :

- True RMS measurement
- Measure 1 phase and 3 phase voltage and current
- 3 digit 7 segment dual line display

Certifications :

### Display specifications

Display parameters	Voltage & Current
Type	7 segment
Display	3 digit LED display with dual rows
Display height	8.6mm
Colour	Red and Green
Display scrolling	10 sec (with 3 phase CT), Fixed (with 1 phase CT)

### Resolution

Current value	Resolution	Voltage value	Resolution
<10A	0.01A	<100V	0.1V
<100A	0.1A	>100V	1V
>100A	1A		

### Input specifications

Network selection	Auto (based on CT module)
Rated input voltage	20-520VAC
Rated input current	5% to 120% of full scale (based on CT module)
Operating frequency	50 to 60Hz
Current overload	120% of full Scale (based on CT module)

### CT selection for converter

Parameter selection	Four DIP switches
CT Primary	5A / 400A / 500A / 630A / 800A

### Accuracy

Meter	0.5% full scale
CT	1% full scale

### Auxiliary supply

Input voltage range	85 to 276V AC
Consumption	4VA max
Frequency	50 to 60Hz

### Environmental specification

Temperature	Operating : 0°C to 60°C Storage : -20 to 70 °C
Humidity	95% non-condensing
Pollution degree	II

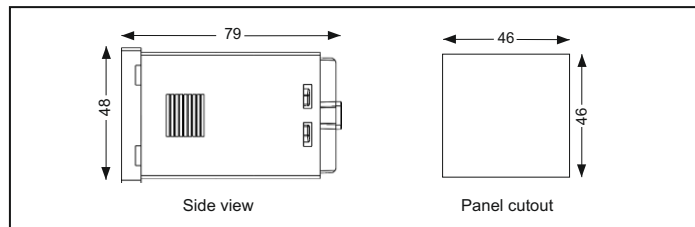
### Mechanical specification

Mounting	Panel
Dimension	48 x 48mm
IP Front	IP 51
IP Back	IP 20
Torque	0.5 N-m

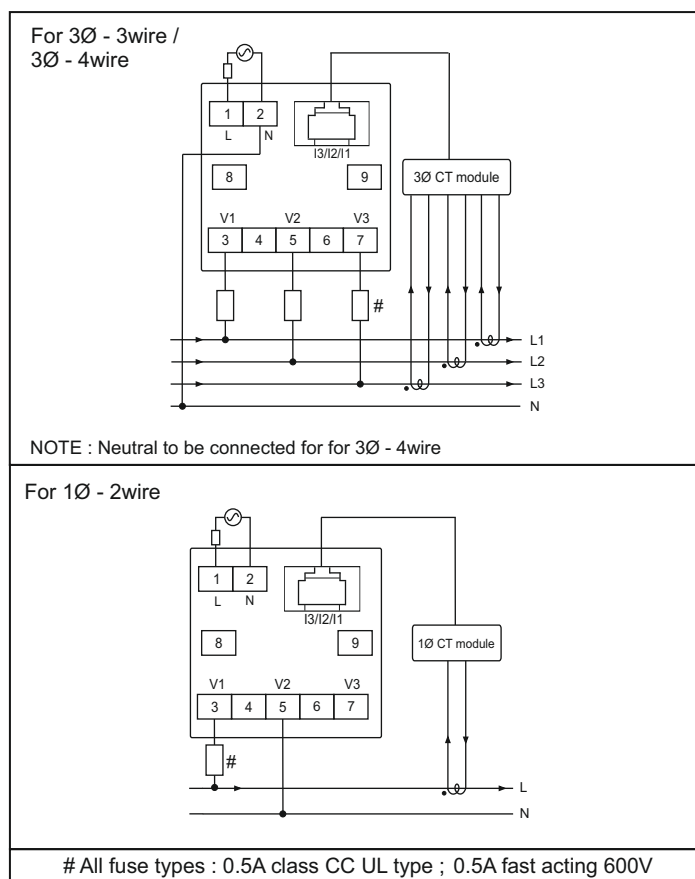
### Packaging

Packing material	Corrugated box
Weight	Packed : 113gms Unpacked : 74gms

### Dimensions (All are in mm)



### Terminal connections (Through CT module)

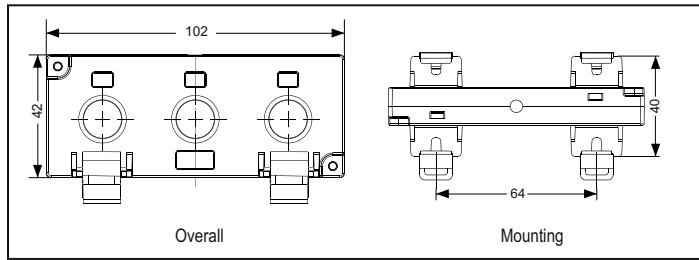


**CT 3PH-D13mm-80A-G**

**Specification**

Rated input current	Nominal 80A AC (Min 4A - Max 96A)
No. of phases	3
Inner dia	13mm
Mounting	Din rail & Wall mount

**Dimension (All are in mm)**

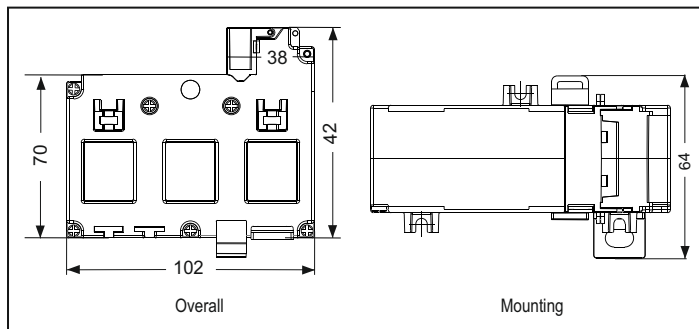


**CT 3PH-21x25mm-250A-G**

**Specification**

Rated input current	Nominal 250A AC (Min 10A - Max 300A)
No. of phases	3
Mounting	Din rail & Wall mount
Window	21x 25mm

**Dimension (All are in mm)**

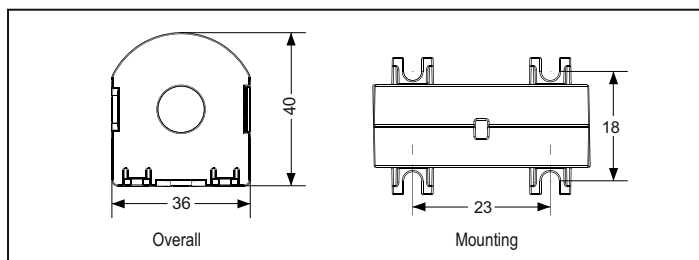


**CT 1PH-D13mm-80A-G**

**Specification**

Rated input current	Nominal 80A AC (Min 4A - Max 96A)
No. of phases	1
Inner dia	12mm
Mounting	Din rail & Wall mount

**Dimension (All are in mm)**

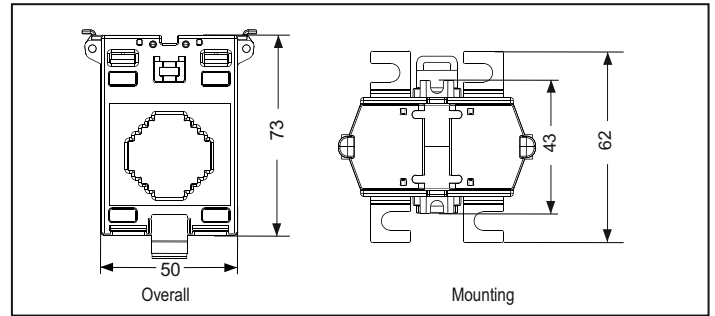


**CT 1PH-30x10mm-250A-G**

**Specification**

Rated input current	Nominal 250A AC (Min 10A - Max 300A)
No. of phases	1
Mounting	Din rail & Wall mount
Window	30x10mm

**Dimension (All are in mm)**

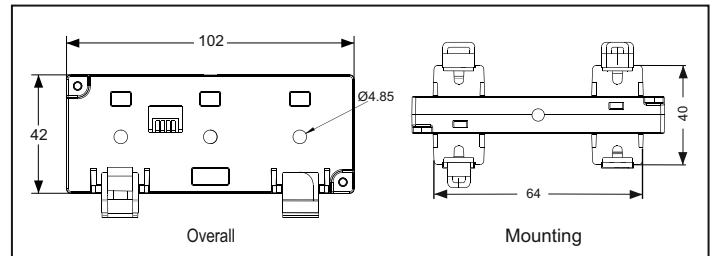


**3PH 5A CONVERTER-G**

**Specification**

Rated input current	Nominal 5A AC (Min 50mA - Max 6A)
No. of phases	3
Inner dia	4.85mm
Mounting	Din rail & Wall mount

**Dimension (All are in mm)**



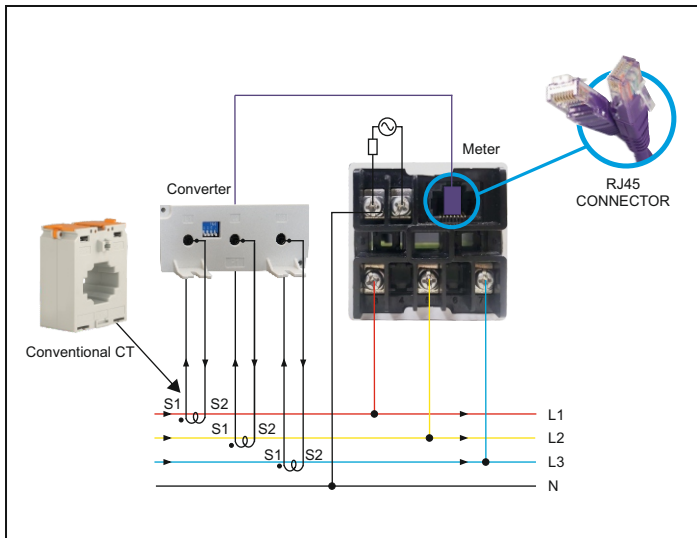
**DIP switch selection for converter**

DIP Configuration	CT
	5A
	400A
	500A
	630A
	800A

Switch Setting Example - ON ↑

Conventional CT's to be used along with converter

Wiring diagram (Through conventional CT)



Ordering information

Product code	Supply voltage / Current range	Certification
MVA593-CU	85 - 276 VAC, 50 / 60Hz	CE, UL in process
CT 1PH-D13mm-80A-G	80A	CE
CT 1PH-30x10mm-250A-G	250A	CE
CT 3PH-D13mm-80A-G	80A	CE
CT 3PH-21x25mm-250A-G	250A	CE
3PH 5A CONVERTER-G	---	CE