

MATERIAL

Weldable black-oxide steel.

RIVETS

Black-oxide steel.

CLAMPING BOLTS

To be ordered separately.

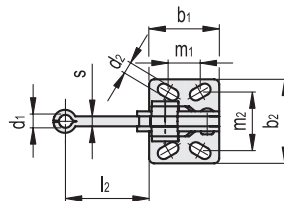
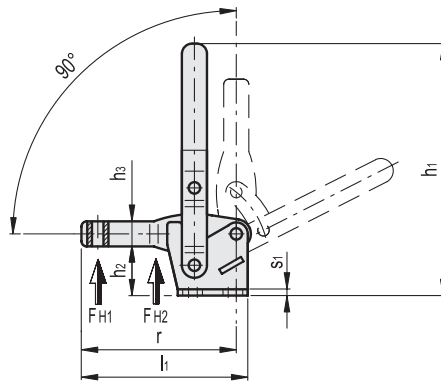
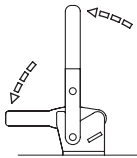
FEATURES AND APPLICATIONS

All articulated joints are lubricated with special grease resistant to high temperatures.

During clamping, the lever is controlled to prevent impact on functioning due to side thrust.

MVA-R toggle clamps are particularly suitable for applications on moulds for plastic materials and in rotational moulding.

Slotted assembly holes for applications in inches.



METRIC

Code	Description	b1	b2	d1	d2	h1	h2	h3	l1	l2	m1	m2	r	s	s1	FH1 [N]*	FH2 [N]*	⚖
GG.AR530	MVA-R-130-ER	35	42	6.5	5.5	136	28	11	85	44	12.5+19	27+29	75	5	2.5	1600	3000	210
GG.AR540	MVA-R-230-ER	43	45	8	6.5	164	33.5	18	110	60	19+20	32	103	3	6	2000	3200	330
GG.AR550	MVA-R-330-ER	50	65	10.5	8.5	162	43	22	128	69	29+32	45+46	120.5	7	3.5	2400	4000	519

* Holding force.

