

Peak Emission Wavelength: 1550nm



Description

- Size 1206: 3.2 (L) x 1.6 (W) x 1.2 (H) mm
- Circuit substrate: glass laminated epoxy
- Devices are RoHS conform
- Lead free solderable, soldering pads: gold plated
- Taped in 8 mm blister tape, cathode to transporting perforation
- All devices are sorted into radiant intensity classes
- High radiation intensity types

Absolute Maximum Ratings (Ta=25°C)



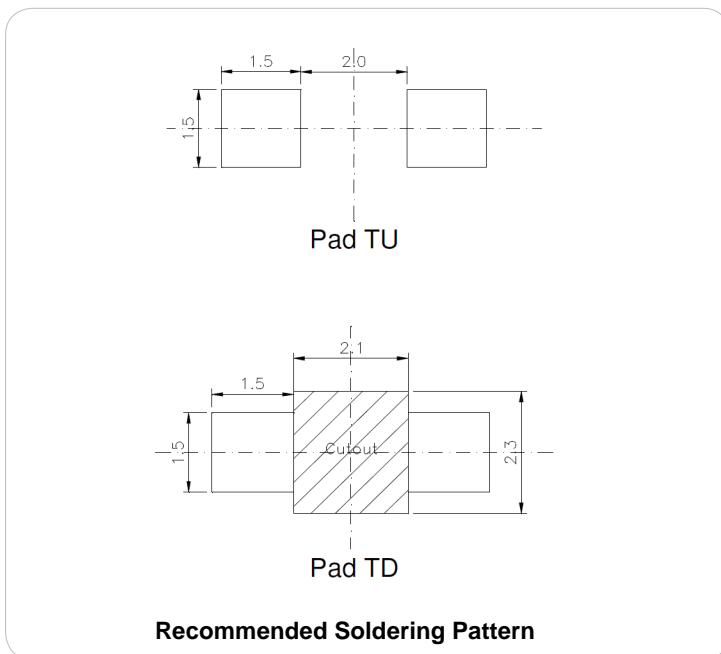
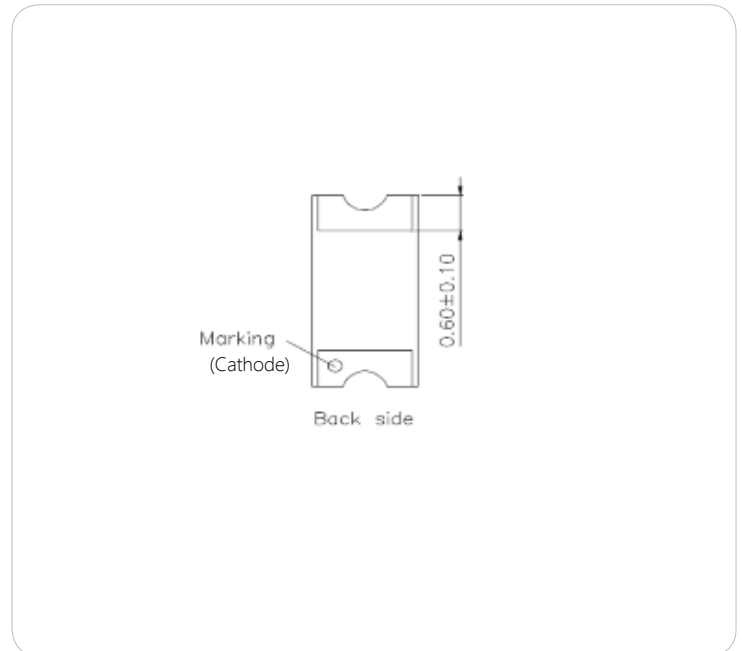
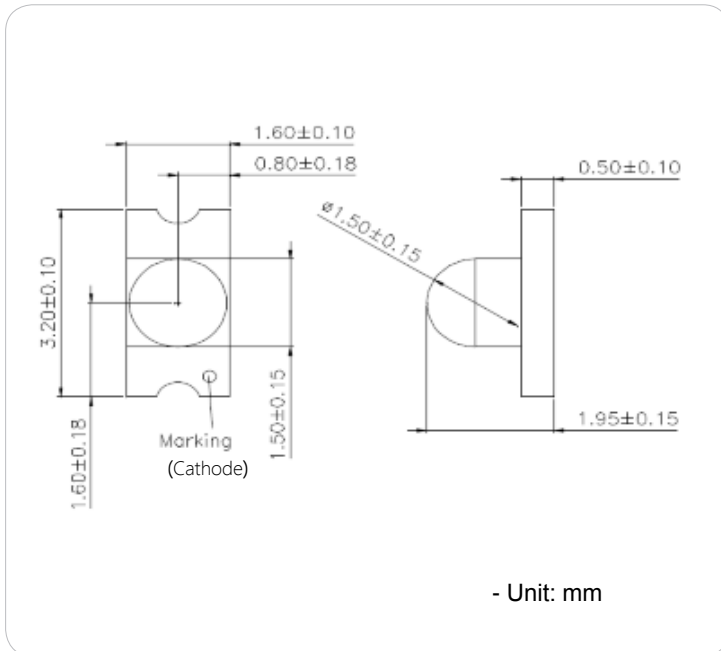
| ITEMS | SYMBOL | RATINGS | UNIT |
|--------------------------|--------|------------|------|
| Forward DC Current | If | 50 | mA |
| Peak Forward Current * | Ifp | 100 | mA |
| Reverse Voltage | Vr | 5 | V |
| Reverse Current | Ir | 100 | uA |
| Operating Temperature | Top | -40 to +85 | °C |
| Storage Temperature | Tst | -55 to +85 | °C |
| Thermal Resistance RthJA | | 450 | K/W |

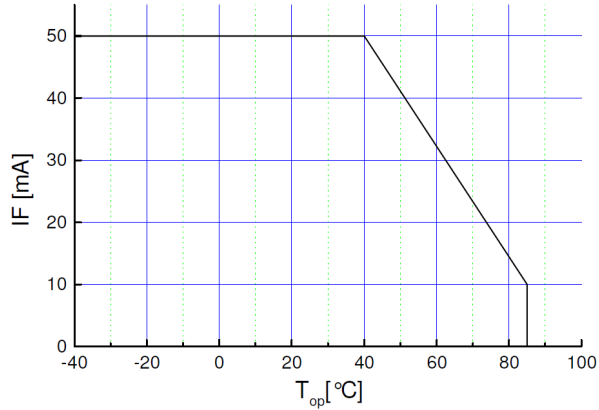
* tp ≤ 100 us, T=1:10

Electrical & Optical Characteristics (Ta = 25°C)

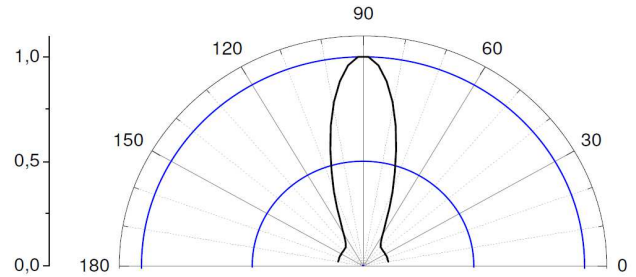
| ITEMS | SYMBOL | CONDITION | MIN | TYP | MAX | UNIT |
|-------------------------|--------|-----------|------|-------|------|------|
| Forward Current | If | | -- | -- | 50 | mA |
| Forward Voltage | Vf | If=50mA | -- | 0.75 | 1.3 | V |
| Peak Wavelength | λp | If=50mA | 1500 | 1550 | 1600 | nm |
| Power Output | Po | If=50mA | -- | 3 | -- | mW |
| Spectral Width | Δλ0.5 | If=50mA | -- | 130 | -- | nm |
| Viewing Angle | φ | If=50mA | -- | 55 | -- | deg |
| Temperature Coefficient | TCΦe | If=20mA | -- | -0.41 | -- | %/K |
| Temperature Coefficient | TCλP | If=20mA | -- | +0.48 | -- | nm/K |

Package Dimensions

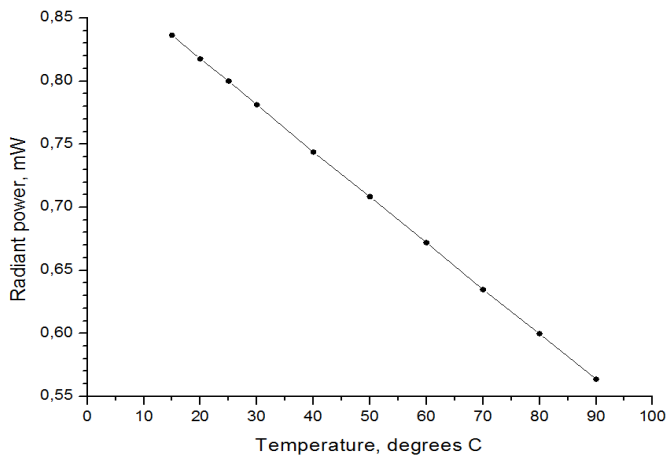




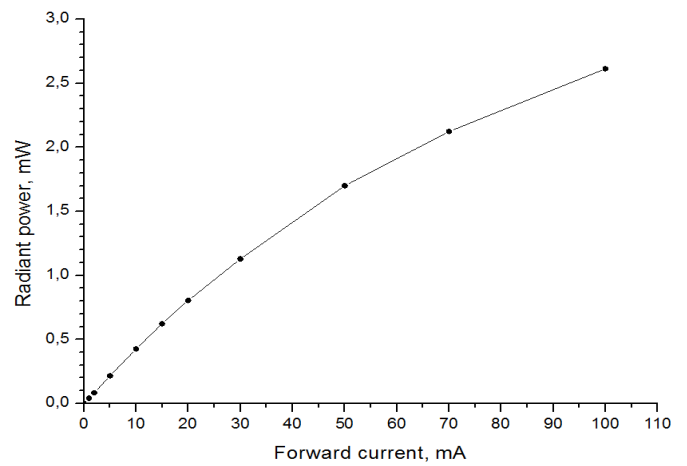
Maximal forward current (DC) characteristic



View angle

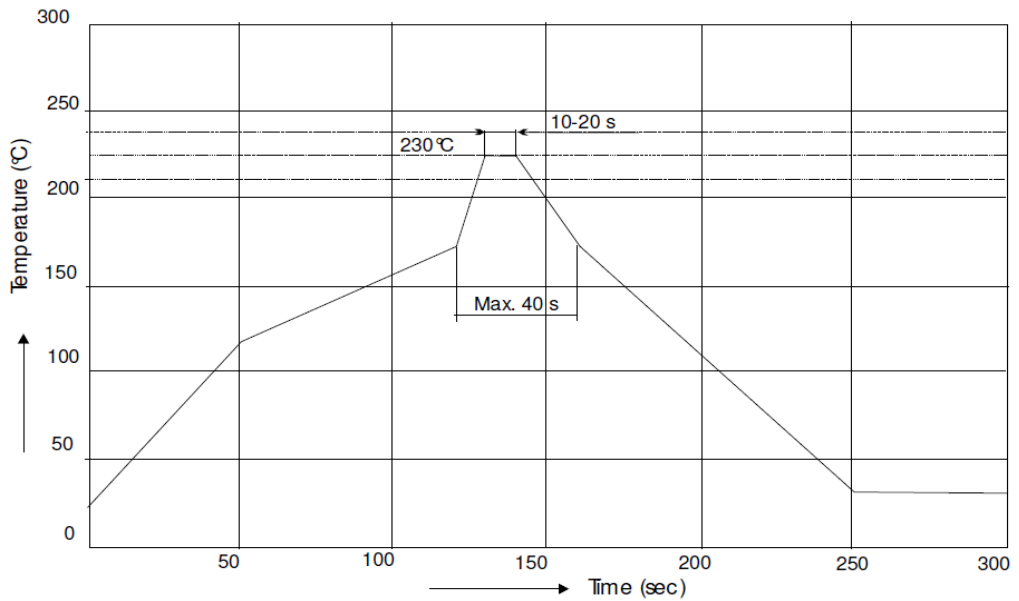


Radiant power vs. temperature @ 20 mA

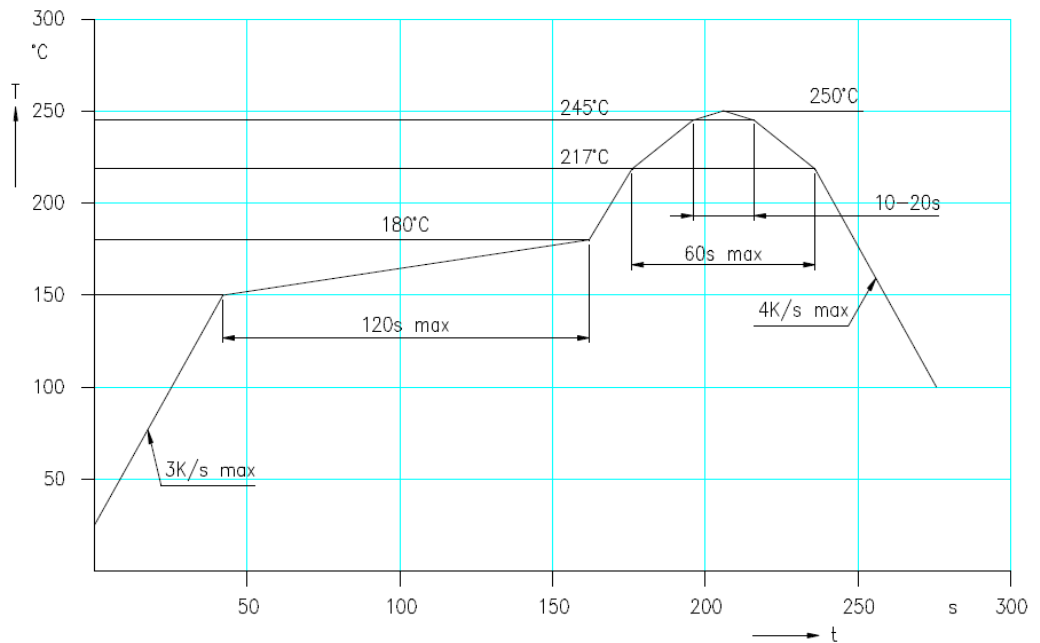


Radiant power vs. forward current

IR reflow soldering profile



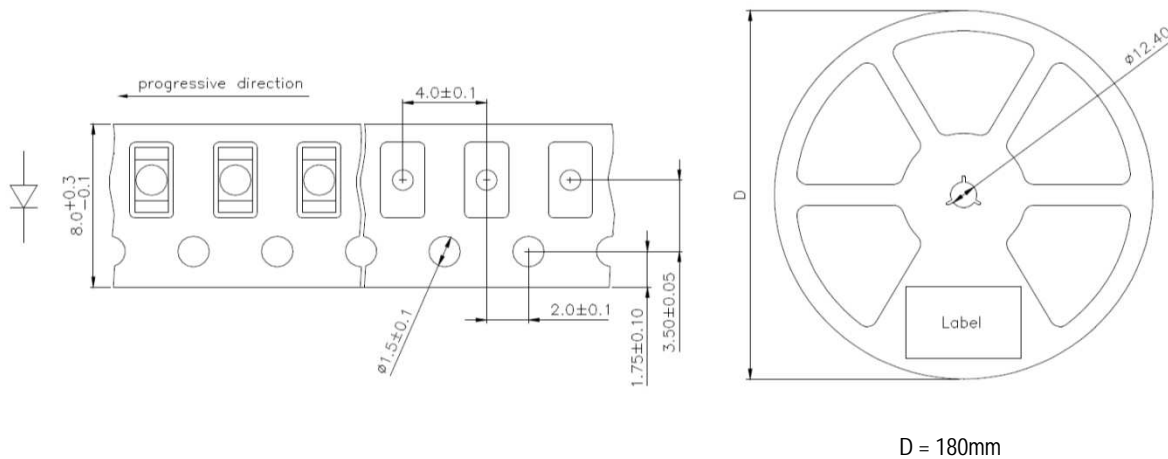
IR reflow soldering profile for lead free soldering



Manual soldering:
max power of iron 25 W / 3 s / 300°C

Measured according to CIE 127. All SMD-LEDs are 100% measured and selected on full automated equipment with an accuracy of $\pm 11\%$.

Tape and Reel packing



| Tape and Reel -Suffice to the part number | |
|---|------------------------------|
| Ex: | MTXXXXX-T05 = 500 piece reel |
| Code | Components per reel |
| T05 | 500 |
| T1 | 1000 |
| T2 | 2000 |
| T25 | 2500 |
| T3 | 3000 |

Packing: The reel is seaLED in special plastic bag with integrate ESD protection (MIL - STD 81705) including a silica dry-pack