

MTL. Latch clamps, heavy-duty series

with safety device, steel



- 1
- 2
- 3
- 4
- 5
- 6
- 7
- 8
- 9
- 10
- 11
- 12
- 13
- 14
- 15
- 16
- 17
- 18

MATERIAL

Weldable black-oxide steel.

PINS

Ground and hardened steel.

HANDLE

Polyurethane, red colour.

FEATURES AND APPLICATIONS

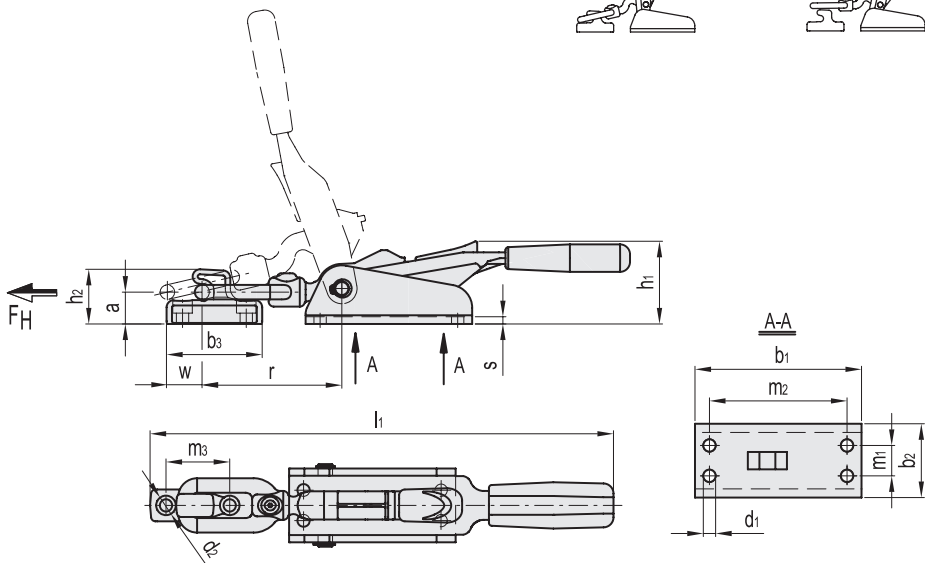
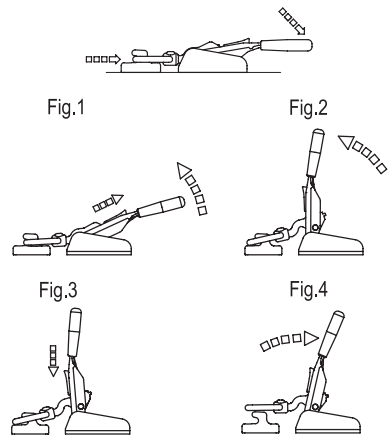
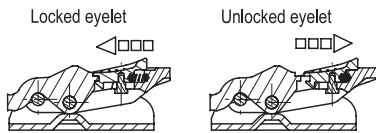
All articulated joints are lubricated with special grease.

MTL. clamps ensure tight closing and are particularly suitable for applications where it is required to exert a high resistance force with a further assurance of the holding of the clamp engagement, very useful in case of strong vibration stresses.

By disengaging the safety device, pushing the slider (fig. 1) and using the handle, the clamp opens (fig. 2). By disengaging the safety device (fig. 3) and moving the control lever in the opposite direction (fig. 4), the result is the complete disengagement of the body of the clamp and the clamping plate.

To re-engage the clamp, it is necessary to proceed in the opposite way. All these engaging and disengaging operations can be done by using one hand only, since in its movement the eyelet follows the lever.

The engaging position can be length-regulated in order to suit better the application by means of a threaded eyelet, locked in place by a grub screw.



METRIC

Code	Description	a	b1	b2	b3	d1	d2	h1	h2	l1	m1	m2	m3	r	s	Stroke w	FH [N]*	
GG.AL590	MTL.1400-T5	22	115	51	66	8.5	13	57	38	318	21	95	44	95+105	5	24	15000	1600

* Holding force.

Toggle clamps

1650



Models all rights reserved in accordance with the law. Always mention the source when reproducing our drawings and photos.

