

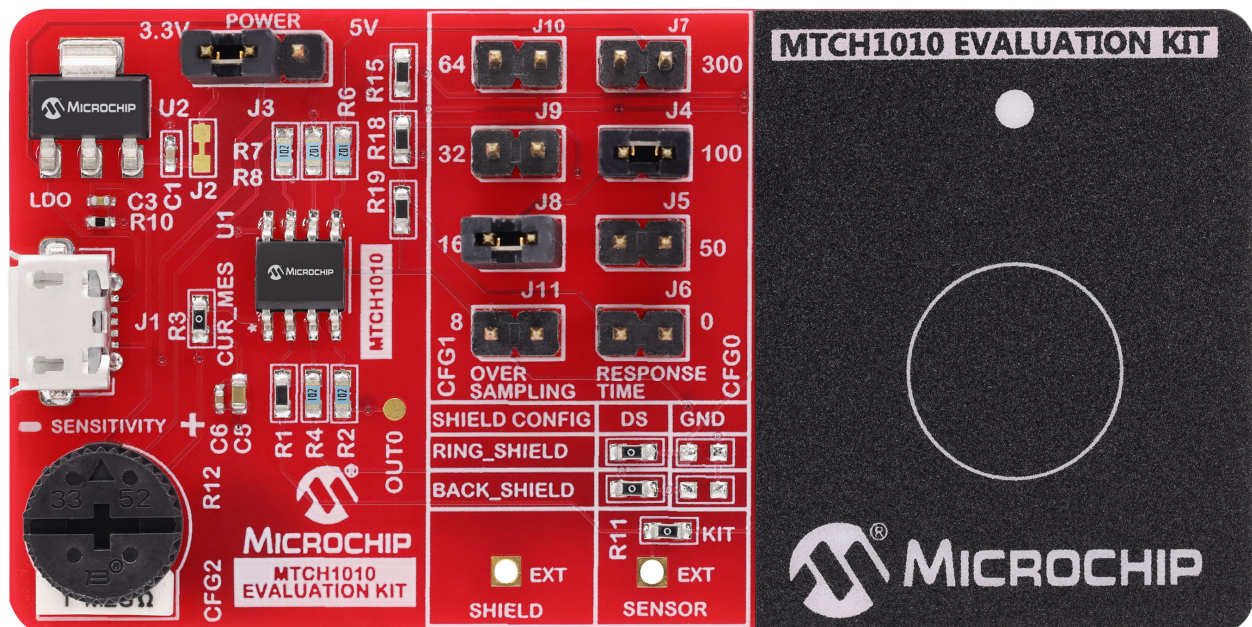
MTCH1010 Evaluation Kit User Guide

Preface

The MTCH1010 is an easy-to-use single button touch turnkey solution. The MTCH1010 Evaluation Kit (EV24Z38A) enables out-of-the-box and target usage evaluation of the MTCH1010 touch turnkey Integrated Circuit (IC). The MTCH1010 Development Kit (DevKit) offers access to the complete versatility of the MTCH1010, providing easy access to the following three key touch parameters:

- Sensitivity
- Response time
- Oversampling

Figure 1. MTCH1010 Evaluation Kit



Introduction

The MTCH1010 Evaluation Kit offers a complete out-of-the-box experience to evaluate the MTCH1010 single channel touch controller. In addition, the MTCH1010 Evaluation Kit offers options to connect an external electrode and/or the Microchip power debugger ([atpowerdebugger](#)) to prototype with the MTCH1010.

Features and Overview

- On-board touch electrode with overlay
- On-board assignable driven shield
- Ability to connect user electrode and driven shield for evaluation/prototyping
- Touch status LED
- Option to select 3.3V or 5V power rail
- Jumper array to select oversampling and response time
- Potentiometer to select sensitivity
- USB power input

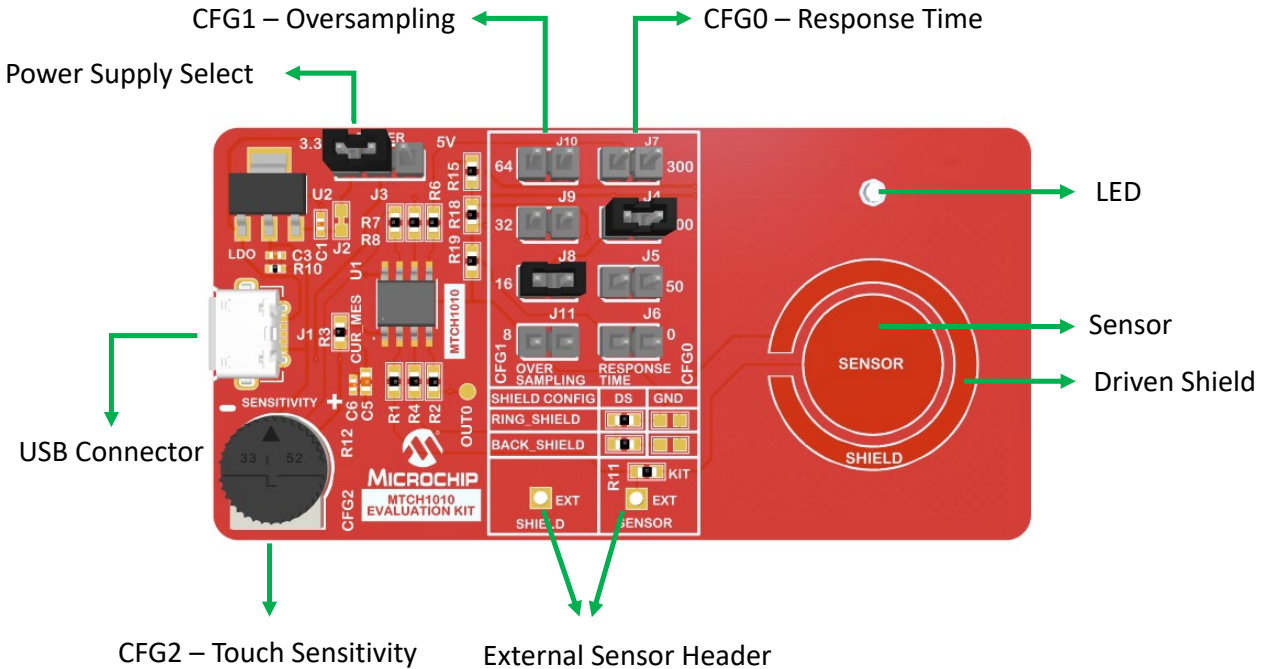
Table of Contents

| | |
|---|----|
| Preface..... | 1 |
| Introduction..... | 2 |
| Features and Overview..... | 2 |
| 1. Getting Started..... | 4 |
| 1.1. Quick Start..... | 4 |
| 1.2. Electrode Design..... | 4 |
| 1.3. Touch Sensor..... | 4 |
| 1.4. SHIELD – Driven Shield..... | 5 |
| 1.5. SHIELD – Ground..... | 5 |
| 2. Configuration..... | 6 |
| 2.1. CFG0 – Response Time..... | 6 |
| 2.2. CFG1 – Oversampling per Touch Scan Cycle..... | 7 |
| 2.3. CFG2 – Touch Sensitivity..... | 7 |
| 3. Documentation and Relevant Links..... | 8 |
| 4. Schematics..... | 9 |
| 5. Hardware Revision History and Known Issues | 10 |
| 5.1. Identifying Product ID and Revision | 10 |
| 6. Revision One Evaluation Kit..... | 11 |
| 7. Revision History..... | 12 |
| The Microchip Website..... | 13 |
| Product Change Notification Service..... | 13 |
| Customer Support..... | 13 |
| Microchip Devices Code Protection Feature..... | 13 |
| Legal Notice..... | 14 |
| Trademarks..... | 14 |
| Quality Management System..... | 15 |
| Worldwide Sales and Service..... | 16 |

1. Getting Started

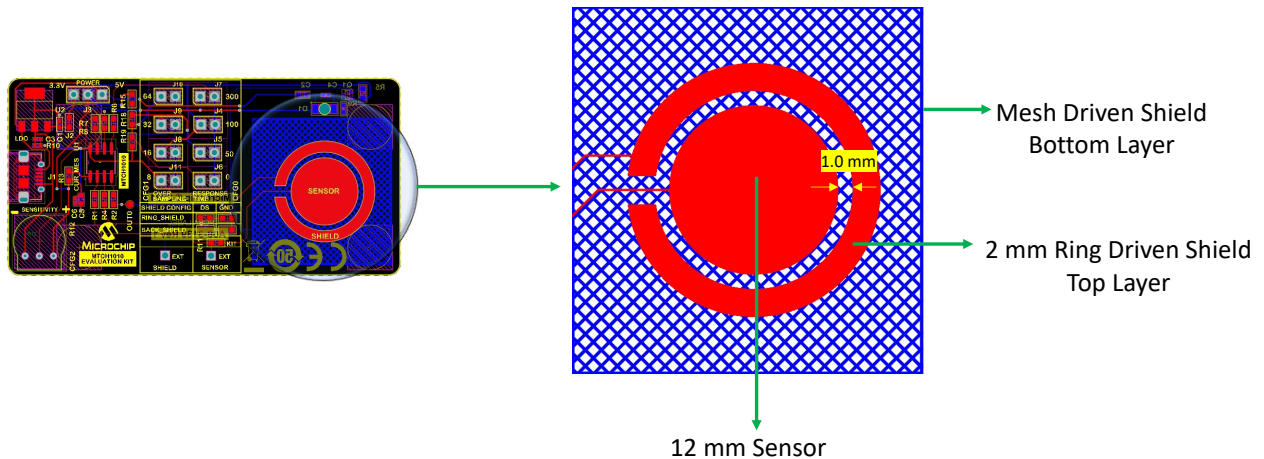
1.1 Quick Start

Figure 1-1. MTCH1010 Evaluation Kit



1.2 Electrode Design

Figure 1-2. Electrode Design



1.3 Touch Sensor

The sensor electrode is connected to MTCH1010 CH0 pin via a series resistor to reduce Electromagnetic interference (EMI) and Electromagnetic Compatibility (EMC) following the guidelines of the [Microchip Touch Design](#) guide. The series resistor used in this evaluation kit is 100 k Ω , but it can be from 10 k Ω to 200 k Ω , depending on the sensor capacitance and desired level of EMC performance.

Refer to [Capacitive Touch Design Guide – AN2934](#) for further details.

The MTCH1010 is tested against conducted immunity according to the IEC 61000-4-6 standard and passes the test level 3 (10 V_{RMS} CI noise). Applied settings:

- CFG0 'Response Time' = 100 ms
- CFG1 'Oversampling' = 64
- CFG2 'Sensitivity' = Gain 1

1.4 SHIELD – Driven Shield

| | |
|--|--|
| <p>The MTCH1010 Evaluation kit features an active shield (driven shield) ring on the top layer and a meshed shield on the bottom layer of the Printed Circuit Board (PCB). The shield configuration is flexible on the kit and it enables tests with other overlays.</p> | |
|--|--|

The driven shield enhances touch sensitivity and robustness. The other driven shield benefits are the following:

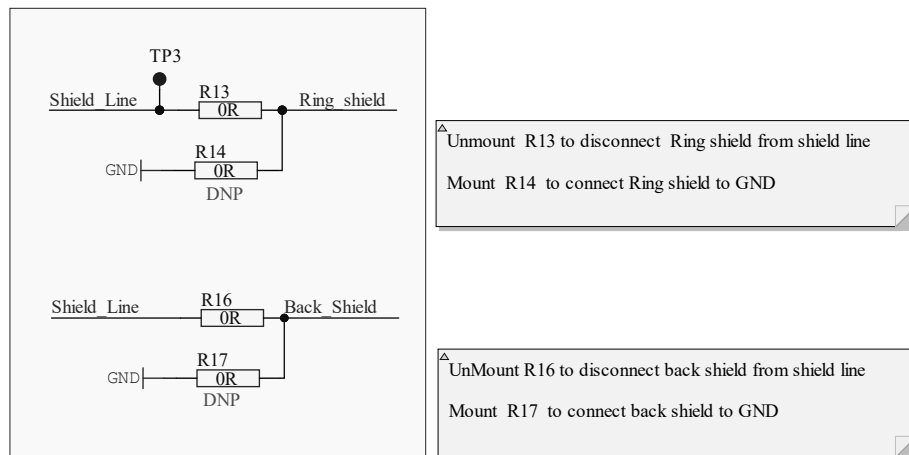
- Reduces capacitive sensor load
- Prevents touch detection in the back (rear shield)
- Provides water tolerant touch
- Increases sensitivity
- Shields against electrical noise

Refer to the Microchip [Capacitive Touch Design Guide – AN2934](#) for further details and especially for layout considerations for the driven shield usage. The MTCH1010 uses a coplanar ring and hatched back shield.

1.5 SHIELD – Ground

The MTCH1010 Evaluation kit offers the option to use passive shielding (Ground shielding) for the coplanar ring, as well as for the back shield.

Figure 1-3. Shield Selection



2. Configuration

The MTCH1010 Devkit provides convenient options to control all three touch parameters of the MTCH1010:

- Response time
- Sensitivity
- Oversampling

The configuration inputs are read by the MTCH1010 at power-up and recurring during run time and touch sensing parameters are set accordingly. During run time, the inputs are measured once every two seconds and the configuration changes are applied at subsequent sensor measurements. Each input must be in the range of 0V to V_{DD} . CFG0 and CFG1 are split into four bands that provide four options for each parameter. CFG2 provides a continuous adjustment of sensitivity between 0V and V_{DD} .

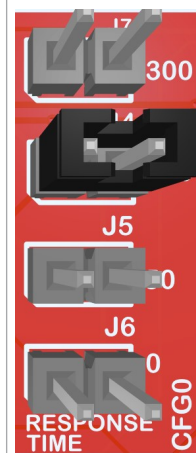
Find more details in the [MTCH1010 Data Sheet](#).

2.1 CFG0 – Response Time

CFG0 selects a response time between free run (0), 50 ms, 100 ms and 300 ms for the target application. Measurement and sleep cycles are adjusted on chip, depending on the oversampling configuration to achieve the selected response time. This control allows the application designer to balance touch responsiveness against power consumption.

Increasing the target response time reduces power consumption, as the device spends a higher proportion of time in Sleep mode. Reducing the response time provides a faster indication of the touch event.

The response time settings are worst-case targets – meaning that actual response time of the MTCH1010 will be faster than selected.

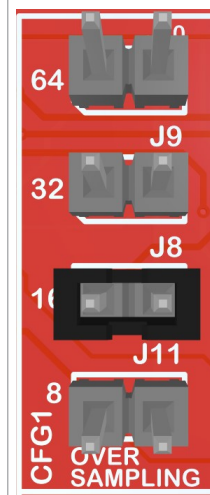


Find all details on response time settings, the on-chip calculation of measurement times and sleep times (to reach the desired response time), impact of response time on power consumption, as well as guidance on how to create the desired input voltage levels in the [MTCH1010 Data Sheet](#).

2.2 CFG1 – Oversampling per Touch Scan Cycle

CFG1 selects the number of samples to take per scan cycle for the MTCH1010 button. Increased sampling provides more stable sensor operation and better tolerance for electrical noise, thus increasing power consumption. Oversampling values of 8x, 16x, 32x and 64x are available.

The oversampling has close to no impact on the response time of the MTCH1010, as scan and sleep time get adjusted automatically to achieve the desired response time settings. That automation takes oversampling settings into account.



2.3 CFG2 – Touch Sensitivity

CFG2 determines the sensitivity of the touch sensor. A thicker overlay, smaller electrodes, usage of passive or active shielding, and nearby ground will require adjusted sensitivity settings.

Sensitivity does not affect power consumption or measurement time, except in the case when a high setting may consume extra power by triggering unnecessary wake-up events under noise.



Note: The sensitivity input CFG2 is implemented as a full-scale linear input from GND to V_{DD}

| Input Range | Sensitivity |
|----------------|---|
| 0V to V_{DD} | Lowest at 0V Increases with increased voltage at CFG2 Highest at V_{DD} |

It is recommended to match higher sensitivity settings with higher oversampling for robust touch sensing.

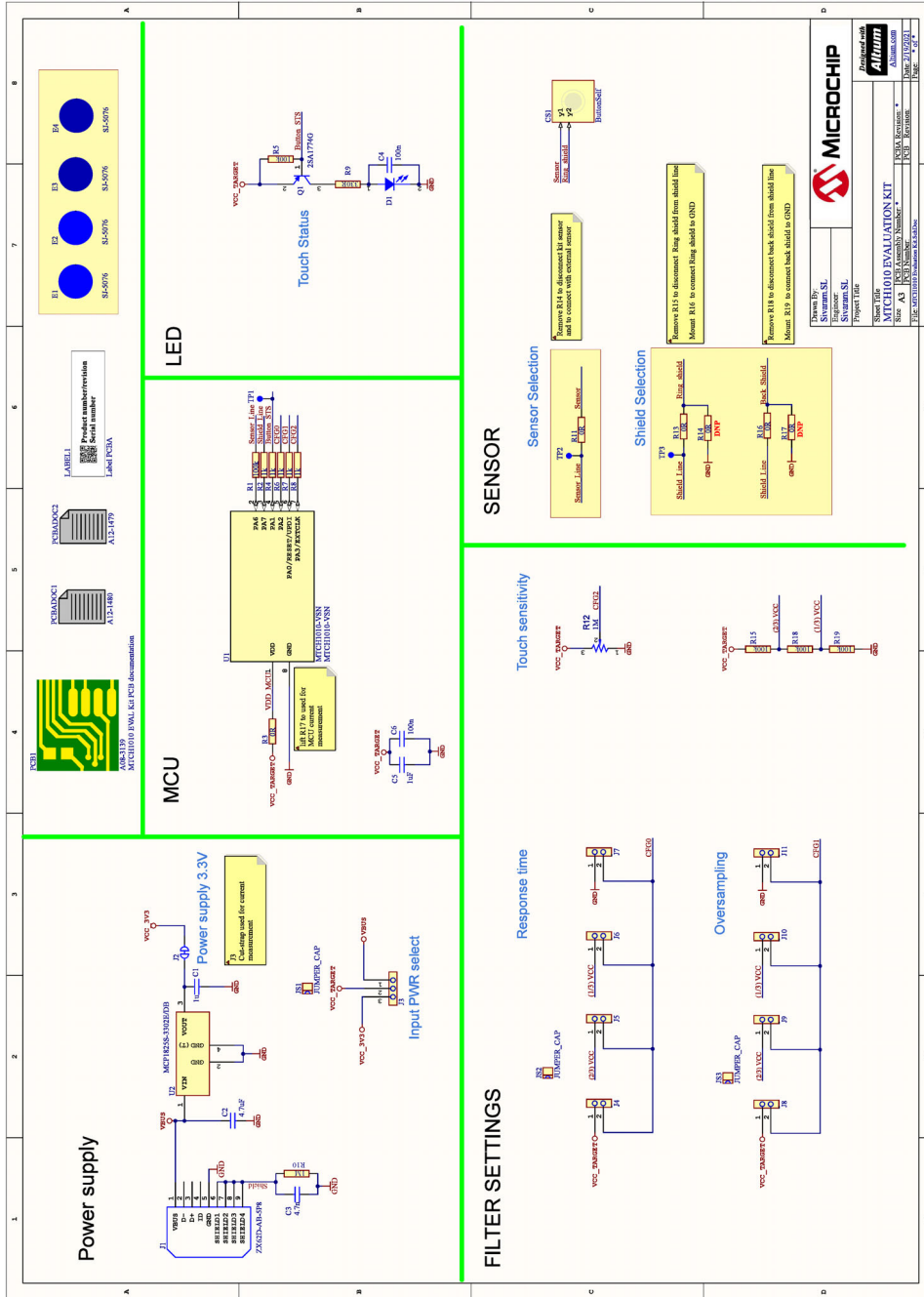
More details on sensitivity settings can be found in the [MTCH1010 Data Sheet](#).

3. Documentation and Relevant Links

Software / IDE

- **MPLAB® X Integrated Development Environment (IDE)** – is a software program that runs on a PC (Windows®, Mac OS®, Linux®) to develop applications for Microchip microcontrollers and digital signal controllers. It is called an Integrated Development Environment because it provides a single integrated 'environment' to develop code for embedded microcontrollers.
- **MPLAB® Code Configurator (MCC)** – is a free, graphical programming environment that generates seamless, easy-to-understand C code to be inserted into the project. Using an intuitive interface, it enables and configures a rich set of peripherals and functions specific to the application.
- **MPLAB® Harmony v3** – is a fully integrated embedded software development framework that provides flexible and interoperable software modules that allow the user to dedicate their resources to creating applications for 32-bit PIC® and SAM devices, rather than dealing with device details, complex protocols, and library integration challenges. It works seamlessly with MPLAB X IDE and the MPLAB XC32 Compiler to enable a smooth transition and maximum code reuse between PIC32 MCUs and SAM MCUs and MPUs. MPLAB® Harmony v3 has drivers, demo code, and Data Visualizer that supports data streaming and advanced debugging.
- **Atmel Start** – is an online tool that helps the user to select and configure software components and tailor the embedded application in a usable and optimized manner.
- **Microchip Studio** – Free IDE for the development of C/C++ and assembler code for microcontrollers.
- **Data Visualizer** – is a program used for processing and visualizing data. The Data Visualizer can receive data from various sources such as the EDBG Data Gateway Interface found on Curiosity Nano and Xplained Pro boards and COM Ports.
- **Design Documentation** – Package containing CAD source, schematics, BOM, assembly drawings, 3D plots, layer plots, etc.
- **Hardware User's Guide** – PDF version of this user's guide.
- **MTCH1010 Evaluation Kit** – On Microchip's website.

4. Schematics



5. Hardware Revision History and Known Issues

5.1 Identifying Product ID and Revision

When an Evaluation board is connected to a computer with MPLAB running, an information window with the serial number is shown. The first six digits of the serial number contain the product identifier and revision. Information about connected evaluation boards is also shown in the window.

The same information can be found on the sticker on the bottom side of the PCB. Most kits have stickers that have the identifier and revision printed in plain text as A09-*nnnn*/*rr*, where *nnnn* is the identifier and *rr* is the revision. Boards with limited space have a sticker with only a data matrix code, which contains a serial number string.

The serial number string has the following format:

```
"nnnnrrssssssss"
```

n = product identifier

r = revision

s = serial number

The product identifier for the MTCH1010 Evaluation Kit is [A08-3139](#).

6. Revision One Evaluation Kit

Revision one of the MTCH1010 Evaluation Kit ([A08-3139/01](#)) is the initial released version. There are no known issues.

7. Revision History

Table 7-1.

| Revision | Date | Comments |
|----------|---------|--------------------------|
| A | 05/2021 | Initial document release |

The Microchip Website

Microchip provides online support via our website at www.microchip.com/. This website is used to make files and information easily available to customers. Some of the content available includes:

- **Product Support** – Data sheets and errata, application notes and sample programs, design resources, user's guides and hardware support documents, latest software releases and archived software
- **General Technical Support** – Frequently Asked Questions (FAQs), technical support requests, online discussion groups, Microchip design partner program member listing
- **Business of Microchip** – Product selector and ordering guides, latest Microchip press releases, listing of seminars and events, listings of Microchip sales offices, distributors and factory representatives

Product Change Notification Service

Microchip's product change notification service helps keep customers current on Microchip products. Subscribers will receive email notification whenever there are changes, updates, revisions or errata related to a specified product family or development tool of interest.

To register, go to www.microchip.com/pcn and follow the registration instructions.

Customer Support

Users of Microchip products can receive assistance through several channels:

- Distributor or Representative
- Local Sales Office
- Embedded Solutions Engineer (ESE)
- Technical Support

Customers should contact their distributor, representative or ESE for support. Local sales offices are also available to help customers. A listing of sales offices and locations is included in this document.

Technical support is available through the website at: www.microchip.com/support

Microchip Devices Code Protection Feature

Note the following details of the code protection feature on Microchip devices:

- Microchip products meet the specifications contained in their particular Microchip Data Sheet.
- Microchip believes that its family of products is secure when used in the intended manner and under normal conditions.
- There are dishonest and possibly illegal methods being used in attempts to breach the code protection features of the Microchip devices. We believe that these methods require using the Microchip products in a manner outside the operating specifications contained in Microchip's Data Sheets. Attempts to breach these code protection features, most likely, cannot be accomplished without violating Microchip's intellectual property rights.
- Microchip is willing to work with any customer who is concerned about the integrity of its code.
- Neither Microchip nor any other semiconductor manufacturer can guarantee the security of its code. Code protection does not mean that we are guaranteeing the product is "unbreakable." Code protection is constantly evolving. We at Microchip are committed to continuously improving the code protection features of our products. Attempts to break Microchip's code protection feature may be a violation of the Digital Millennium Copyright Act. If such acts allow unauthorized access to your software or other copyrighted work, you may have a right to sue for relief under that Act.

Legal Notice

Information contained in this publication is provided for the sole purpose of designing with and using Microchip products. Information regarding device applications and the like is provided only for your convenience and may be superseded by updates. It is your responsibility to ensure that your application meets with your specifications.

THIS INFORMATION IS PROVIDED BY MICROCHIP "AS IS". MICROCHIP MAKES NO REPRESENTATIONS OR WARRANTIES OF ANY KIND WHETHER EXPRESS OR IMPLIED, WRITTEN OR ORAL, STATUTORY OR OTHERWISE, RELATED TO THE INFORMATION INCLUDING BUT NOT LIMITED TO ANY IMPLIED WARRANTIES OF NON-INFRINGEMENT, MERCHANTABILITY, AND FITNESS FOR A PARTICULAR PURPOSE OR WARRANTIES RELATED TO ITS CONDITION, QUALITY, OR PERFORMANCE.

IN NO EVENT WILL MICROCHIP BE LIABLE FOR ANY INDIRECT, SPECIAL, PUNITIVE, INCIDENTAL OR CONSEQUENTIAL LOSS, DAMAGE, COST OR EXPENSE OF ANY KIND WHATSOEVER RELATED TO THE INFORMATION OR ITS USE, HOWEVER CAUSED, EVEN IF MICROCHIP HAS BEEN ADVISED OF THE POSSIBILITY OR THE DAMAGES ARE FORESEEABLE. TO THE FULLEST EXTENT ALLOWED BY LAW, MICROCHIP'S TOTAL LIABILITY ON ALL CLAIMS IN ANY WAY RELATED TO THE INFORMATION OR ITS USE WILL NOT EXCEED THE AMOUNT OF FEES, IF ANY, THAT YOU HAVE PAID DIRECTLY TO MICROCHIP FOR THE INFORMATION. Use of Microchip devices in life support and/or safety applications is entirely at the buyer's risk, and the buyer agrees to defend, indemnify and hold harmless Microchip from any and all damages, claims, suits, or expenses resulting from such use. No licenses are conveyed, implicitly or otherwise, under any Microchip intellectual property rights unless otherwise stated.

Trademarks

The Microchip name and logo, the Microchip logo, Adaptec, AnyRate, AVR, AVR logo, AVR Freaks, BesTime, BitCloud, chipKIT, chipKIT logo, CryptoMemory, CryptoRF, dsPIC, FlashFlex, flexPWR, HELDO, IGLOO, JukeBlox, KeeLoq, Klear, LANCheck, LinkMD, maXStylus, maXTouch, MediaLB, megaAVR, Microsemi, Microsemi logo, MOST, MOST logo, MPLAB, OptoLyzer, PackeTime, PIC, picoPower, PICSTART, PIC32 logo, PolarFire, Prochip Designer, QTouch, SAM-BA, SenGenuity, SpyNIC, SST, SST Logo, SuperFlash, Symmetricom, SyncServer, Tachyon, TimeSource, tinyAVR, UNI/O, Vectron, and XMEGA are registered trademarks of Microchip Technology Incorporated in the U.S.A. and other countries.

AgileSwitch, APT, ClockWorks, The Embedded Control Solutions Company, EtherSynch, FlashTec, Hyper Speed Control, HyperLight Load, IntelliMOS, Libero, motorBench, mTouch, Powermite 3, Precision Edge, ProASIC, ProASIC Plus, ProASIC Plus logo, Quiet-Wire, SmartFusion, SyncWorld, Temux, TimeCesium, TimeHub, TimePictra, TimeProvider, WinPath, and ZL are registered trademarks of Microchip Technology Incorporated in the U.S.A.

Adjacent Key Suppression, AKS, Analog-for-the-Digital Age, Any Capacitor, AnyIn, AnyOut, Augmented Switching, BlueSky, BodyCom, CodeGuard, CryptoAuthentication, CryptoAutomotive, CryptoCompanion, CryptoController, dsPICDEM, dsPICDEM.net, Dynamic Average Matching, DAM, ECAN, Espresso T1S, EtherGREEN, IdealBridge, In-Circuit Serial Programming, ICSP, INICnet, Intelligent Paralleling, Inter-Chip Connectivity, JitterBlocker, maxCrypto, maxView, memBrain, Mindi, MiWi, MPASM, MPF, MPLAB Certified logo, MPLIB, MPLINK, MultiTRAK, NetDetach, Omniscient Code Generation, PICDEM, PICDEM.net, PICKit, PICtail, PowerSmart, PureSilicon, QMatrix, REAL ICE, Ripple Blocker, RTAX, RTG4, SAM-ICE, Serial Quad I/O, simpleMAP, SimpliPHY, SmartBuffer, SMART-I.S., storClad, SQL, SuperSwitcher, SuperSwitcher II, Switchtec, SynchroPHY, Total Endurance, TSHARC, USBCheck, VariSense, VectorBlox, VeriPHY, ViewSpan, WiperLock, XpressConnect, and ZENA are trademarks of Microchip Technology Incorporated in the U.S.A. and other countries.

SQTP is a service mark of Microchip Technology Incorporated in the U.S.A.

The Adaptec logo, Frequency on Demand, Silicon Storage Technology, and Symmcom are registered trademarks of Microchip Technology Inc. in other countries.

GestIC is a registered trademark of Microchip Technology Germany II GmbH & Co. KG, a subsidiary of Microchip Technology Inc., in other countries.

All other trademarks mentioned herein are property of their respective companies.

© 2021, Microchip Technology Incorporated, Printed in the U.S.A., All Rights Reserved.

ISBN: 978-1-5224-8250-5

Quality Management System

For information regarding Microchip's Quality Management Systems, please visit www.microchip.com/quality.

Worldwide Sales and Service

| AMERICAS | ASIA/PACIFIC | ASIA/PACIFIC | EUROPE |
|---|---|--|---|
| <p>Corporate Office 2355 West Chandler Blvd. Chandler, AZ 85224-6199 Tel: 480-792-7200 Tel: 480-792-7277 Technical Support: www.microchip.com/support Web Address: www.microchip.com</p> <p>Atlanta Duluth, GA Tel: 678-957-9614 Fax: 678-957-1455</p> <p>Austin, TX Tel: 512-257-3370</p> <p>Boston Westborough, MA Tel: 774-760-0087 Fax: 774-760-0088</p> <p>Chicago Itasca, IL Tel: 630-285-0071 Fax: 630-285-0075</p> <p>Dallas Addison, TX Tel: 972-818-7423 Fax: 972-818-2924</p> <p>Detroit Novi, MI Tel: 248-848-4000</p> <p>Houston, TX Tel: 281-894-5983</p> <p>Indianapolis Noblesville, IN Tel: 317-773-8323 Fax: 317-773-5453 Tel: 317-536-2380</p> <p>Los Angeles Mission Viejo, CA Tel: 949-462-9523 Fax: 949-462-9608 Tel: 951-273-7800</p> <p>Raleigh, NC Tel: 919-844-7510</p> <p>New York, NY Tel: 631-435-6000</p> <p>San Jose, CA Tel: 408-735-9110 Tel: 408-436-4270</p> <p>Canada - Toronto Tel: 905-695-1980 Fax: 905-695-2078</p> | <p>Australia - Sydney Tel: 61-2-9868-6733</p> <p>China - Beijing Tel: 86-10-8569-7000</p> <p>China - Chengdu Tel: 86-28-8665-5511</p> <p>China - Chongqing Tel: 86-23-8980-9588</p> <p>China - Dongguan Tel: 86-769-8702-9880</p> <p>China - Guangzhou Tel: 86-20-8755-8029</p> <p>China - Hangzhou Tel: 86-571-8792-8115</p> <p>China - Hong Kong SAR Tel: 852-2943-5100</p> <p>China - Nanjing Tel: 86-25-8473-2460</p> <p>China - Qingdao Tel: 86-532-8502-7355</p> <p>China - Shanghai Tel: 86-21-3326-8000</p> <p>China - Shenyang Tel: 86-24-2334-2829</p> <p>China - Shenzhen Tel: 86-755-8864-2200</p> <p>China - Suzhou Tel: 86-186-6233-1526</p> <p>China - Wuhan Tel: 86-27-5980-5300</p> <p>China - Xian Tel: 86-29-8833-7252</p> <p>China - Xiamen Tel: 86-592-2388138</p> <p>China - Zhuhai Tel: 86-756-3210040</p> | <p>India - Bangalore Tel: 91-80-3090-4444</p> <p>India - New Delhi Tel: 91-11-4160-8631</p> <p>India - Pune Tel: 91-20-4121-0141</p> <p>Japan - Osaka Tel: 81-6-6152-7160</p> <p>Japan - Tokyo Tel: 81-3-6880-3770</p> <p>Korea - Daegu Tel: 82-53-744-4301</p> <p>Korea - Seoul Tel: 82-2-554-7200</p> <p>Malaysia - Kuala Lumpur Tel: 60-3-7651-7906</p> <p>Malaysia - Penang Tel: 60-4-227-8870</p> <p>Philippines - Manila Tel: 63-2-634-9065</p> <p>Singapore Tel: 65-6334-8870</p> <p>Taiwan - Hsin Chu Tel: 886-3-577-8366</p> <p>Taiwan - Kaohsiung Tel: 886-7-213-7830</p> <p>Taiwan - Taipei Tel: 886-2-2508-8600</p> <p>Thailand - Bangkok Tel: 66-2-694-1351</p> <p>Vietnam - Ho Chi Minh Tel: 84-28-5448-2100</p> | <p>Austria - Wels Tel: 43-7242-2244-39 Fax: 43-7242-2244-393</p> <p>Denmark - Copenhagen Tel: 45-4485-5910 Fax: 45-4485-2829</p> <p>Finland - Espoo Tel: 358-9-4520-820</p> <p>France - Paris Tel: 33-1-69-53-63-20 Fax: 33-1-69-30-90-79</p> <p>Germany - Garching Tel: 49-8931-9700</p> <p>Germany - Haan Tel: 49-2129-3766400</p> <p>Germany - Heilbronn Tel: 49-7131-72400</p> <p>Germany - Karlsruhe Tel: 49-721-625370</p> <p>Germany - Munich Tel: 49-89-627-144-0 Fax: 49-89-627-144-44</p> <p>Germany - Rosenheim Tel: 49-8031-354-560</p> <p>Israel - Ra'anana Tel: 972-9-744-7705</p> <p>Italy - Milan Tel: 39-0331-742611 Fax: 39-0331-466781</p> <p>Italy - Padova Tel: 39-049-7625286</p> <p>Netherlands - Drunen Tel: 31-416-690399 Fax: 31-416-690340</p> <p>Norway - Trondheim Tel: 47-72884388</p> <p>Poland - Warsaw Tel: 48-22-3325737</p> <p>Romania - Bucharest Tel: 40-21-407-87-50</p> <p>Spain - Madrid Tel: 34-91-708-08-90 Fax: 34-91-708-08-91</p> <p>Sweden - Gothenberg Tel: 46-31-704-60-40</p> <p>Sweden - Stockholm Tel: 46-8-5090-4654</p> <p>UK - Wokingham Tel: 44-118-921-5800 Fax: 44-118-921-5820</p> |