

- 1
- 2
- 3
- 4
- 5
- 6
- 7
- 8
- 9
- 10
- 11
- 12
- 13
- 14
- 15
- 16
- 17
- 18

HANDLE

Polyurethane, red colour.

STANDARD EXECUTIONS

AISI 316 stainless steel spring.

- **MTC-S-T6:** C10 zinc-plated steel body.

Zinc-plated steel rivets, pulling hook, oscillating pin and nuts.

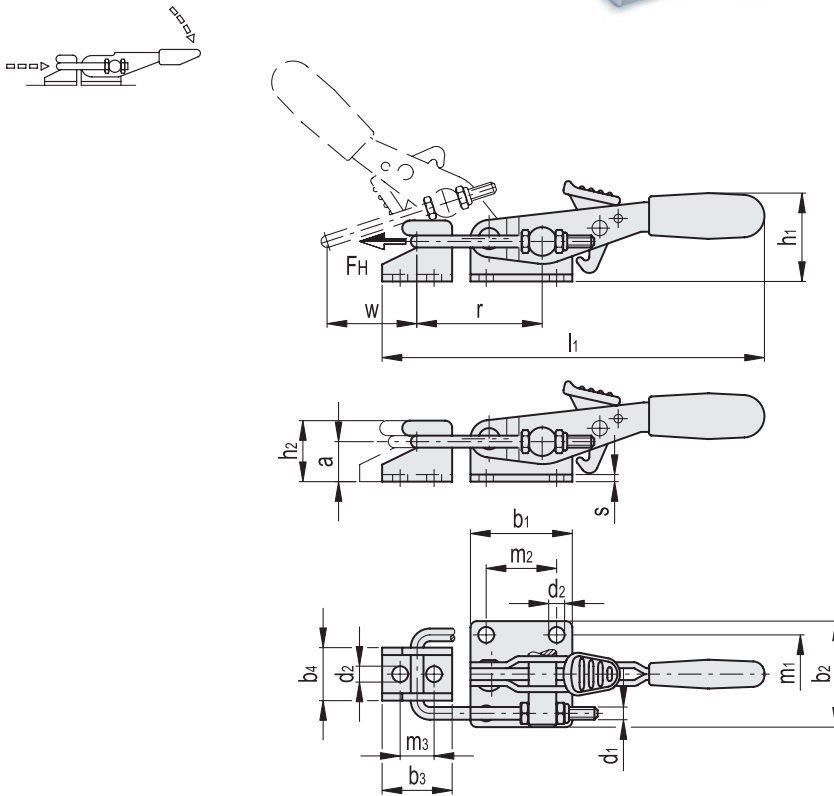
- **MTC-S-T16:** AISI 316 stainless steel.

FEATURES AND APPLICATIONS

All articulated joints are lubricated with special grease.

MTC-S latch clamps are particularly suitable for equipment and applications with strong vibration stresses where it is required to assure the holding of the clamp engagement against accidental opening.

The clamp opening is obtained by actuating the button to disengage the safety device, thus it is possible to operate with the control lever.



MTC-S-T6

METRIC

Code	Description	a	b1	b2	b3	b4	d1	d2	h1	h2	l1	m1	m2	m3	r	s	Stroke w	FH [N]*	Δ
GG.AL780	MTC-S-160-T6	12	26	28	20	14	M4	4.3	31	18	101	19	16	10	35+44	2	25	1600	91
GG.AL785	MTC-S-320-T6	16	40	44	28	22	M6	6.5	45	25	169	32	19	14.3	54+63	3	44	3200	293
GG.AL790	MTC-S-700-T6	24	60	54	38	26	M8	8.5	56	36	221	38	41.5	19	70+90	3.5	58	7500	595

MTC-S-T16

INOX STAINLESS STEEL METRIC

Code	Description	a	b1	b2	b3	b4	d1	d2	h1	h2	l1	m1	m2	m3	r	s	Stroke w	FH [N]*	Δ
GG.AS600	MTC-S-160-T16	12	26	28	20	14	M4	4.3	31	18	101	19	16	10	35+44	2	25	1600	92
GG.AS605	MTC-S-320-T16	16	40	44	28	22	M6	6.5	45	25	169	32	19	14.3	54+63	3	44	3200	296
GG.AS610	MTC-S-700-T16	24	60	54	38	26	M8	8.5	56	36	221	38	41.5	19	70+90	3.5	58	7500	601

Toggle clamps

* Holding force.