

## Peak Emission Wavelength: 720nm

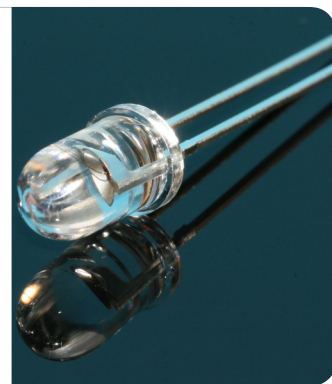
The MT5720-IR is a near infrared T 1 3/4, 5mm water clear LED designed for applications requiring high power and high speed with the lens optimized to produce a narrow beam angle.

### FEATURES

- > High Power Output
- > High Speed
- > Straight Leads

### APPLICATIONS

- > Medical Electronics
- > Agriculture
- > Currency Validation



## Absolute Maximum Ratings (Ta=25°C)

ITEMS	SYMBOL	RATINGS	UNIT
Forward Current	IF	50	mA
Peak Forward Current*1	IFP	100	mA
Operating Temperature Range	Topr	-20 ~ +85	°C
Storage Temperature Range	Tstg	-40 ~ +100	°C
Lead Soldering Temperature*2	Tls	260	°C

\*1: Test Conditions:  $t_p \leq 50\mu s$ ,  $t_p/T = 1/2$ . \*2: Time 5 Sec max, Position: Up to 3mm from case.

## Electrical & Optical Characteristics (Ta = 25°C)

ITEMS	SYMBOL	CONDITIONS	MIN	TYP	MAX	UNIT
Forward Voltage	VF	IF=50mA	--	2.0	2.4	V
Reverse Voltage	VR	IR=10μA	5	--	--	V
Radiant Power	Φe	IF=50mA	8	10	--	mW
Radiant Intensity	Ie	IF=50mA	40	70	--	mW/sr
Peak Emission Wavelength	λp	IF=50mA	710	720	730	nm
Spectral Bandwidth at 50%	Δλ <sub>0.5</sub>	IF=50mA	--	30	--	nm
Viewing Angle	Θ	IF=50mA	--	20	--	deg.
Switching Time	T <sub>R</sub> , T <sub>F</sub>	IF=50mA	--	40	--	ns

**RADIATION**

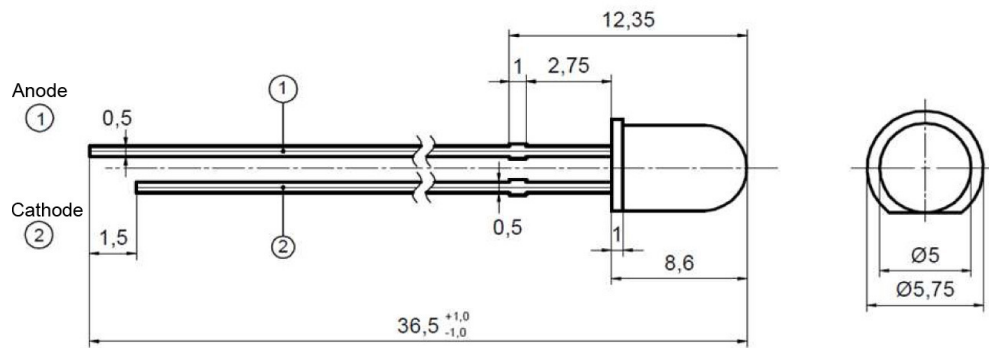
Infrared

**TYPE**

DDH

**CASE**

5mm Plastic Lens



Unit: mm