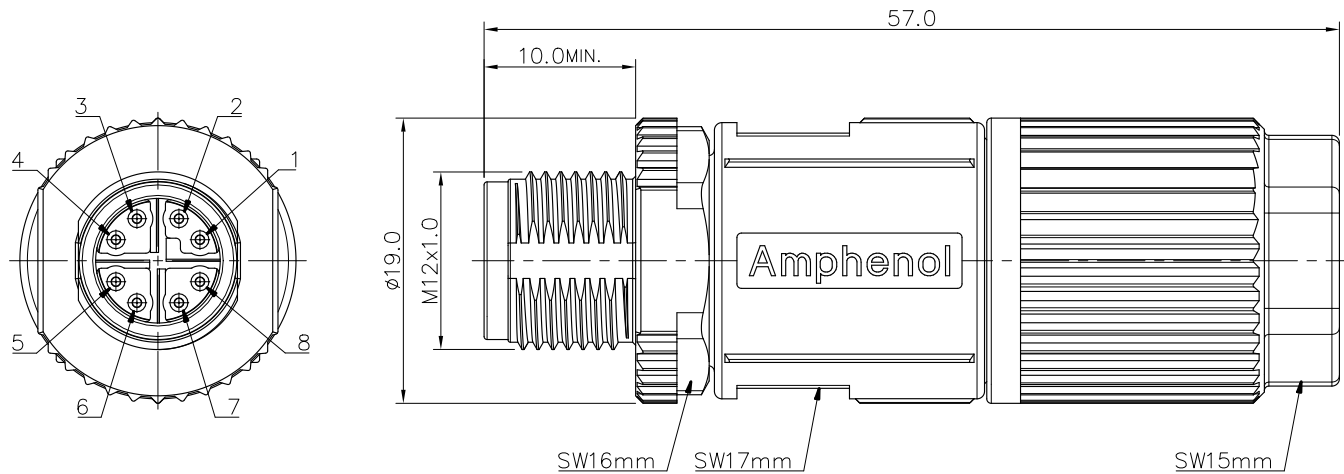
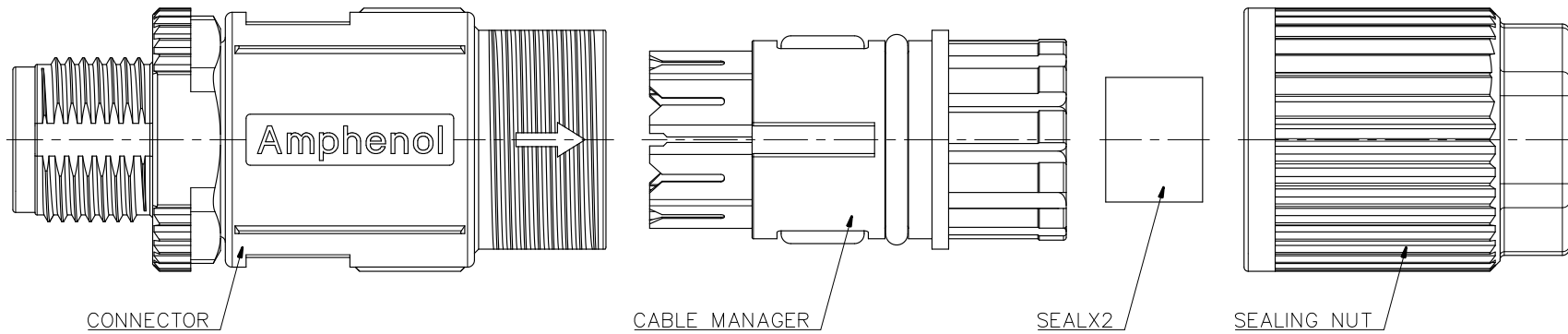


| | |
|-----------|----------------------------|
| REV. A | DESCRIPTION NEW RELEASE |
|-----------|----------------------------|

THIS DOCUMENT IS SUBJECT TO CHANGE WITHOUT NOTICE. IT IS CONFIDENTIAL AND A PROPERTY OF Amphenol LTW. DISCLOSURE TO THIRD PARTY HAS TO BE AUTHORIZED BY Amphenol LTW.



- * MATERIAL:
Male Pin: Copper Alloy, Gold Plated.
Connector: Thermoplastic, Black.
Shell & Shield: Matal.
O-Ring: Silicon.
- * Waterproof Rate: IP68.
- * Applicable Cable OD: 5.0mm~9.0mm.
- * Applicable Wire Gauge: 22AWG~26AWG.
- * Rated Voltage: 50V/AC, 60V/DC.
- * Rated Current: 0.5A.
- * Temperature Range: -40~85°C.
- * Packing: One Piece in a Tray.

| | | | | | | | |
|----------|--|---|----------------|--------------------------------------|-------------------------------|------------------------------|------------------------|
| UNIT: mm | | TITLE M12 X CODE FIELD INSTALLABLE IDC M CONN. | | Amphenol LTW 安費諾亮泰企業股份有限公司 | ITEM NO MSXS-08BMMD-SL8001 | DRAWN BY Sam Ho | DATE 2019.06.03 |
| | | TOLERANCE .X ±0.25 .XX ±0.1 .XXX ±0.05 ANGLES ±1° | SCALE 2 : 1 | | SHEET 1 OF 1 | DWG NO MSXS-08BMMD-SL8001 | CHECKED BY Fred Lee |
| | | REV. A | SIZE A4 | QC : Inspection Item | CUSTOMER ALTW | APPROVED BY Fred Lee | DATE 2019.06.03 |