

MSM-R Twistable two-way connecting clamps

Ganter Norm GN 482 Aluminium



- 1
- 2
- 3
- 4
- 5
- 6
- 7
- 8
- 9
- 10
- 11
- 12
- 13
- 14
- 15
- 16
- 17
- 18

MATERIAL

Aluminium

CLAMPING SCREWS

AISI 304 stainless steel with hexagon socket.

STANDARD EXECUTIONS

- **MSM-R-Q**: hole axis of the connecting clamp perpendicular to the assembly hole.
- **MSM-R-P**: hole axis of the connecting clamp coaxial to the assembly hole.
- **ANB** index: anodised aluminium, black colour.
- **MT** index: natural aluminium, matte finish.



FEATURES AND APPLICATIONS

MSM-R connecting clamps can be assembled to each other to get various combinations.

The clamping screw d3 may be replaced by GN 511 (see page 1392).

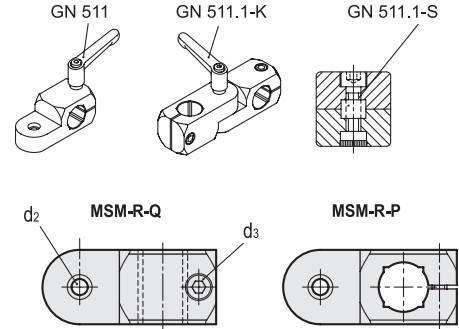
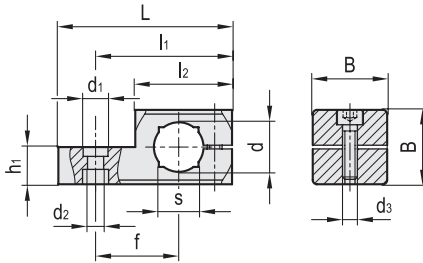
DIMENSION TABLE KEY

d = hole diameter for shaft tolerance h11.

d2 = hole for GN 511.1 (see page 1391).

d3 = clamping screws which can be replaced by GN 511 (page 1392).

Conversion Table	
1 mm = 0.039 inch	
mm	inch
8	0.31
10	0.39
12	0.47
15	0.59
16	0.63
20	0.79



MSM-R-Q-ANB

Code	Description	d	d1	d2	d3	L	B	l1	l2	h1	f	s	Clamping kit		⚖
													d2	d3	
500653	MSM-R-8-16-Q-ANB	8	7	4.5	M4	40	16	32	23	8	18.5	-	GN 511.1-M4-16-S/K	GN 511-M4-16	19
500663	MSM-R-10-20-Q-ANB	10	8.5	5.5	M5	50	20	40	29	10	23	8	GN 511.1-M5-20-S/K	GN 511-M5-20	36
500673	MSM-R-12-20-Q-ANB	12	8.5	5.5	M5	50	20	40	29	10	23	10	GN 511.1-M5-20-S/K	GN 511-M5-20	46
500683	MSM-R-15-25-Q-ANB	15	10	6.5	M6	62	25	49.5	36	12.5	29	12	GN 511.1-M6-25-S/K	GN 511-M6-25	66
500693	MSM-R-16-25-Q-ANB	16	10	6.5	M6	62	25	49.5	36	12.5	29	-	GN 511.1-M6-25-S/K	GN 511-M5-25	69
500703	MSM-R-20-30-Q-ANB	20	10	6.5	M6	70	30	55	39	15	33.5	16	GN 511.1-M6-30-S/K	GN 511-M6-30	101

MSM-R-Q-MT

500654	MSM-R-8-16-Q-MT	8	7	4.5	M4	40	16	32	23	8	18.5	-	GN 511.1-M4-16-S/K	GN 511-M4-16	18
500664	MSM-R-10-20-Q-MT	10	8.5	5.5	M5	50	20	40	29	10	23	8	GN 511.1-M5-20-S/K	GN 511-M5-20	35
500674	MSM-R-12-20-Q-MT	12	8.5	5.5	M5	50	20	40	29	10	23	10	GN 511.1-M5-20-S/K	GN 511-M5-20	45
500684	MSM-R-15-25-Q-MT	15	10	6.5	M6	62	25	49.5	36	12.5	29	12	GN 511.1-M6-25-S/K	GN 511-M6-25	65
500694	MSM-R-16-25-Q-MT	16	10	6.5	M6	62	25	49.5	36	12.5	29	-	GN 511.1-M6-25-S/K	GN 511-M5-25	68
500704	MSM-R-20-30-Q-MT	20	10	6.5	M6	70	30	55	39	15	33.5	16	GN 511.1-M6-30-S/K	GN 511-M6-30	100

MSM-R-P-ANB

Code	Description	d	d1	d2	d3	L	B	l1	l2	h1	f	s	Clamping kit		⚖
													d2	d3	
500651	MSM-R-8-16-P-ANB	8	7	4.5	M4	40	16	32	23	8	18.5	-	GN 511.1-M4-16-S/K	GN 511-M4-16	19
500661	MSM-R-10-20-P-ANB	10	8.5	5.5	M5	50	20	40	29	10	23	8	GN 511.1-M5-20-S/K	GN 511-M5-20	37
500671	MSM-R-12-20-P-ANB	12	8.5	5.5	M5	50	20	40	29	10	23	10	GN 511.1-M5-20-S/K	GN 511-M5-20	46
500681	MSM-R-15-25-P-ANB	15	10	6.5	M6	62	25	49.5	36	12.5	29	12	GN 511.1-M6-25-S/K	GN 511-M6-25	66
500691	MSM-R-16-25-P-ANB	16	10	6.5	M6	62	25	49.5	36	12.5	29	-	GN 511.1-M6-25-S/K	GN 511-M5-25	71
500701	MSM-R-20-30-P-ANB	20	10	6.5	M6	70	30	55	39	15	33.5	16	GN 511.1-M6-30-S/K	GN 511-M6-30	101

MSM-R-P-MT

500652	MSM-R-8-16-P-MT	8	7	4.5	M4	40	16	32	23	8	18.5	-	GN 511.1-M4-16-S/K	GN 511-M4-16	18
500662	MSM-R-10-20-P-MT	10	8.5	5.5	M5	50	20	40	29	10	23	8	GN 511.1-M5-20-S/K	GN 511-M5-20	36
500672	MSM-R-12-20-P-MT	12	8.5	5.5	M5	50	20	40	29	10	23	10	GN 511.1-M5-20-S/K	GN 511-M5-20	45
500682	MSM-R-15-25-P-MT	15	10	6.5	M6	62	25	49.5	36	12.5	29	12	GN 511.1-M6-25-S/K	GN 511-M6-25	65
500692	MSM-R-16-25-P-MT	16	10	6.5	M6	62	25	49.5	36	12.5	29	-	GN 511.1-M6-25-S/K	GN 511-M5-25	70
500702	MSM-R-20-30-P-MT	20	10	6.5	M6	70	30	55	39	15	33.5	16	GN 511.1-M6-30-S/K	GN 511-M6-30	100

Levelling elements and supports