



## MSM-508

8-port Industrial Ethernet Layer 2 Managed Switch

### Features

- Automatic MDI/MDI-X crossover for plug-and-play
- Each port supports both 10/100 Mbps speed auto negotiation
- Full duplex IEEE 802.3x and half duplex backpressure flow control
- Power failure alarm by relay output
- Store-and-forward architecture
- Modbus remote monitoring
- Supports Modbus OPC Server
- Built-in Cyber-Ring redundant technique



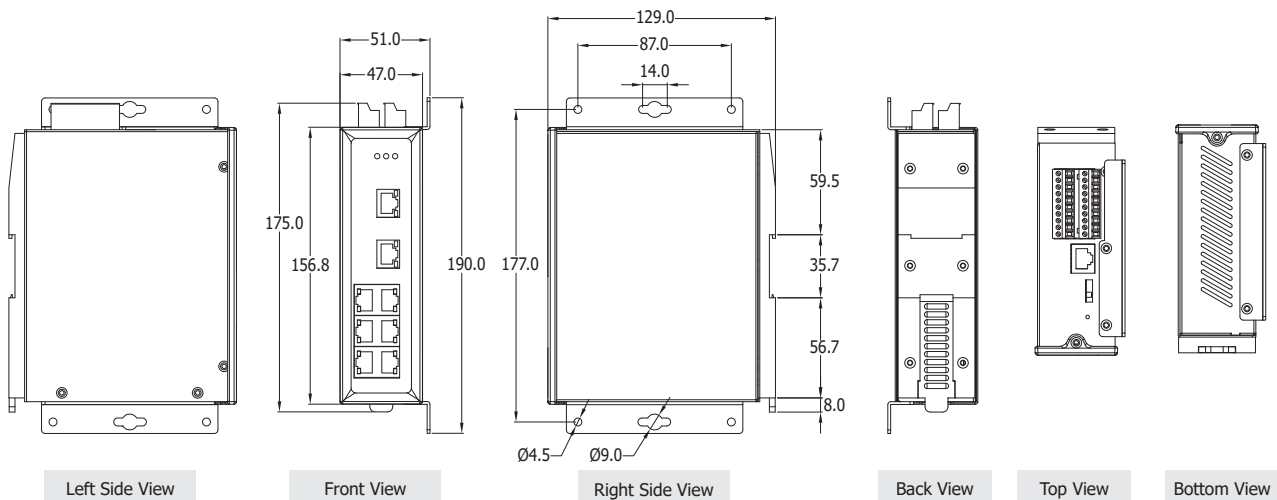
### Introduction

The MSM-508 is an 8-port Industrial Ethernet (10/100 Base-TX) Layer 2 Managed Switch. MSM-508 supports 10/100M auto negotiation feature and auto MDI/MDI-X function. It can automatically switch the transmission speed (10 Mbps or 100 Mbps) for corresponding connections. The connectors of Ethernet port are shielded RJ-45. The shielded RJ-45 connectors offer a high reliability Ethernet environment for industrial control and automation.

It can be managed through RS-232 port via serial console or Ethernet port using telnet or Web browser. In addition, the switch supports a lot of powerful managed functions, such as 802.1Q Tag-based VLAN, Portbased VLAN, 802.1p QoS (Quality of Service), Port Trunking, Spanning Tree, Cable Testing and Port Mirroring. Built-in ICP DAS Cyber-Ring technique that enable multiple switches to be placed into a redundant ring. Typically the switch detects and recovers from a copper link failure within approximately 20 ms – for the majority of applications a seamless process. Modbus/TCP, Modbus/RTU and OPC supported, SCADA application can monitor status of Ethernet port with Modbus or OPC protocol.

MSM-508 provides two power inputs that can be connected simultaneously to live DC power sources. If one of the power inputs fails, the other live source acts as a backup to automatically support the it's power needs. And the relay output facility can deliver warning signal while power or network link failure.

### Dimensions (Units: mm)



## Specifications

LED Indicators	
Status	Power, 10/100M, Link/Act, Master
Ethernet	
Ports	8 x RJ-45, 10/100Base-TX
Standards	IEEE 802.3, 802.3u and 802.3x
Processing Type	Store & forward, wire speed switching
MAC Table	2048
Memory Bandwidth	3.2 Gbps
Frame Buffer Memory	1 Mbit
Flow Control	IEEE 802.3x flow control, back pressure flow control
Protocol	VLAN, QoS, Port Trunk, SMTP, TELNET
Redundant Strategy	STP, Ring (ICP DAS)
Isolation	1500 Vrms 1 minute
DIP Switch	Yes, Normal Run/Repair Mode
Digital Input	
Channels	3
Type	Wet Contact
ON Voltage Level	+19 VDC ~ +30 VDC
OFF Voltage Level	+11 VDC Max.
Digital Output	
Channels	3
Type	Open Collector
Sink/Source (NPN/PNP)	Sink (NPN)
Load Current	30V/100 mA Max.
COM Ports	
Ports	1 x RS-232 (Console) 1 x RS-485
Power	
Reverse Polarity Protection	Yes
Input Range	+12 ~ +48 VDC Redundant Dual Inputs (Non-isolated)
Redundant Power Inputs	Yes
Consumption	0.25 A @ 24 VDC
Alarm Output	Yes, Relay 2 A @ 30 VDC
Mechanical	
Casing	Metal
Dimensions (mm)	DIN-rail mounting: 47 x 175 x 129 (W x L x H) Wall mounting: 51 x 190 x 129 (W x L x H)
Installation	DIN-rail mounting or wall mounting
Ingress Protection Rating	IP30
Environment	
Operating Temperature	-40 °C ~ +75 °C
Storage Temperature	-40 °C ~ +85 °C
Humidity	10 ~ 90% RH, non-condensing

## Ordering Information

<b>MSM-508 CR</b>	8-port Layer 2 Managed Switch with metal casing (RoHS) Includes CA-090510 Console Cable and 4SIX1K0000003 Wall mount
-------------------	---